

18

212521

Fig. 1.

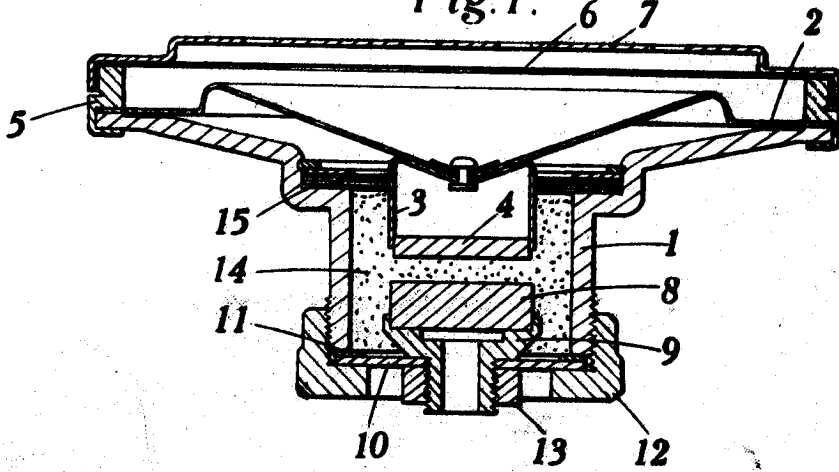


Fig. 2.

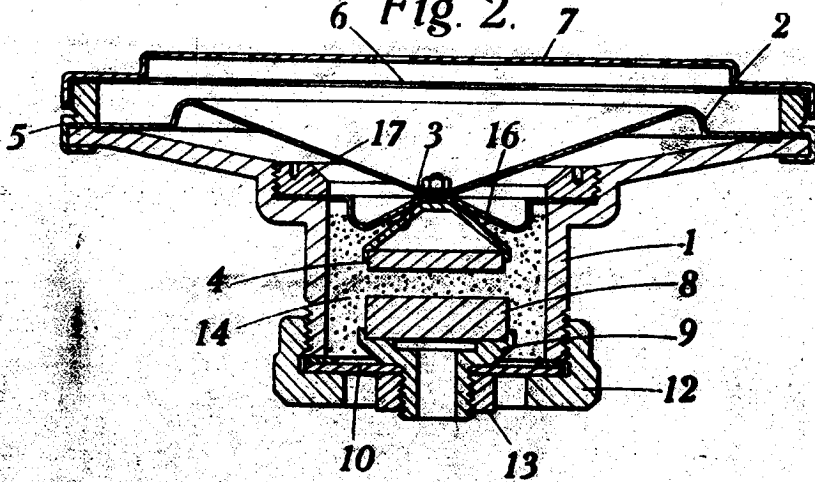
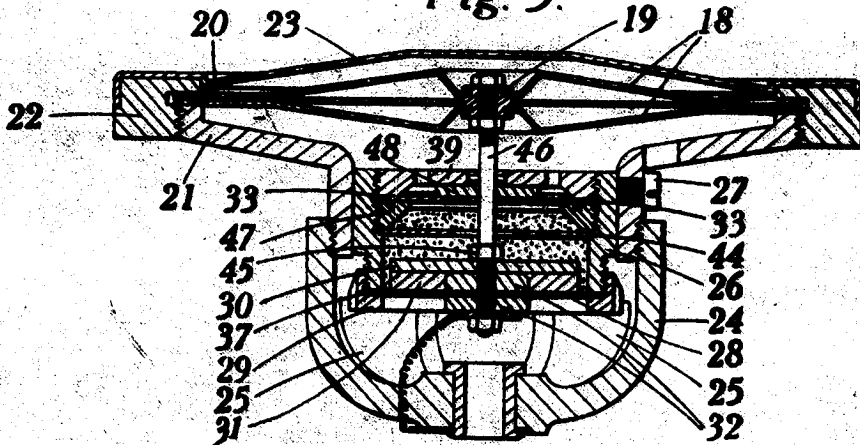


Fig. 3.



Certified to be the drawings referred to  
 in the specification herewith annexed  
 Montreal, the 10 day of March, 1932.

Witnesses

Inventor  
 W. E. Goodwin.  
 By

*W. E. Goodwin*  
 Attorney

171

21252

Fig. 4.

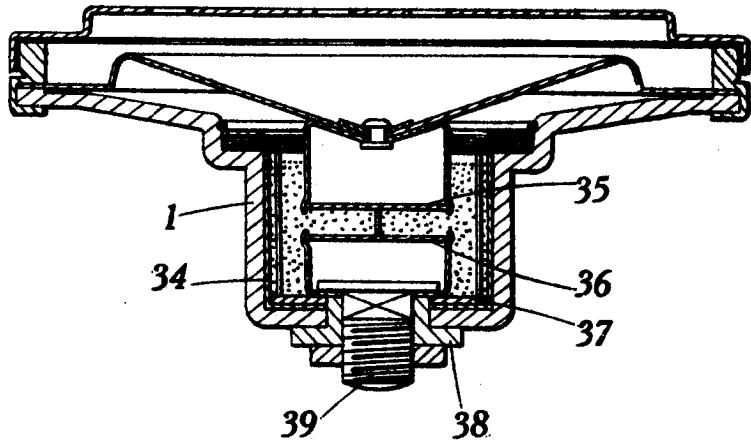


Fig. 5.

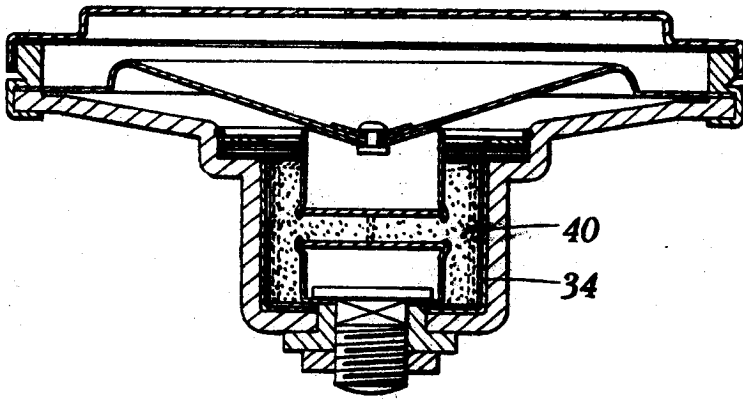


Fig. 6.

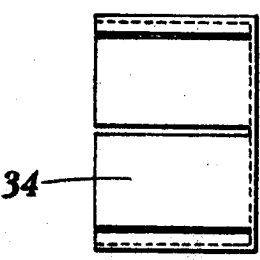
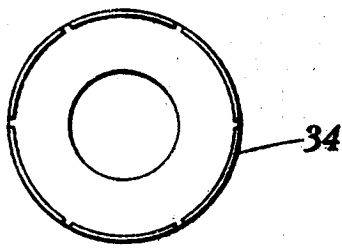


Fig. 7.



Certified to be the drawings referred to  
 in the specification hereunto annexed  
 Montreal, the 10 day of March, 1932.

Witnesses

Inventor  
 W. H. Goodwin  
 By

*Bo Allen*  
 Attorney