

Goodwin

318329

9x

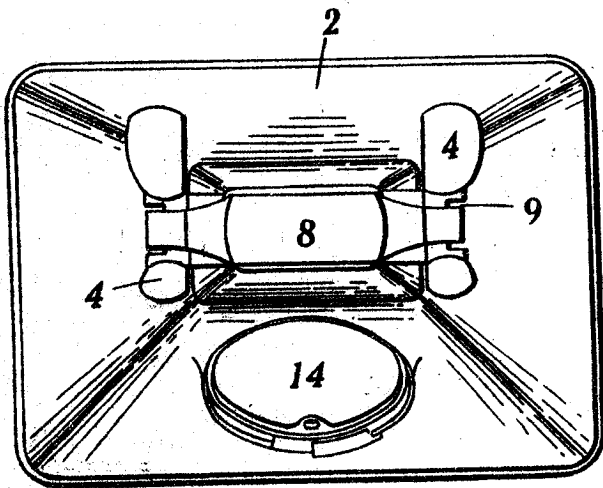
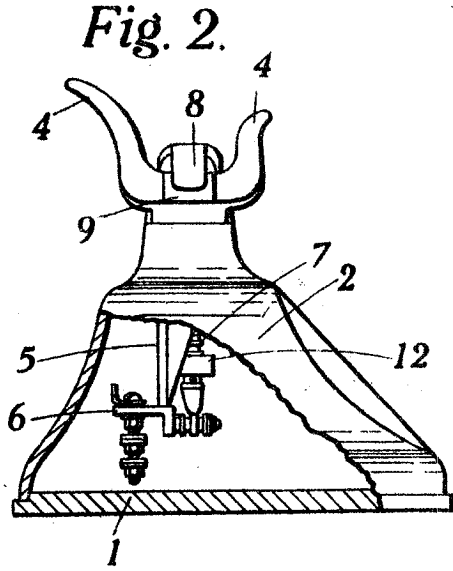
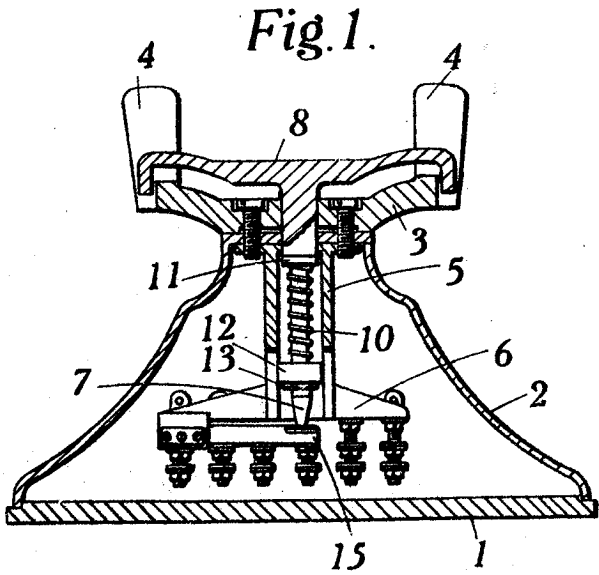


Fig. 3.

Certified to be the drawings referred to  
 in the specification hereunto annexed  
 Made the 3 day of January 1930

Inventor

By

*Alon W. ...*  
 Attorneys