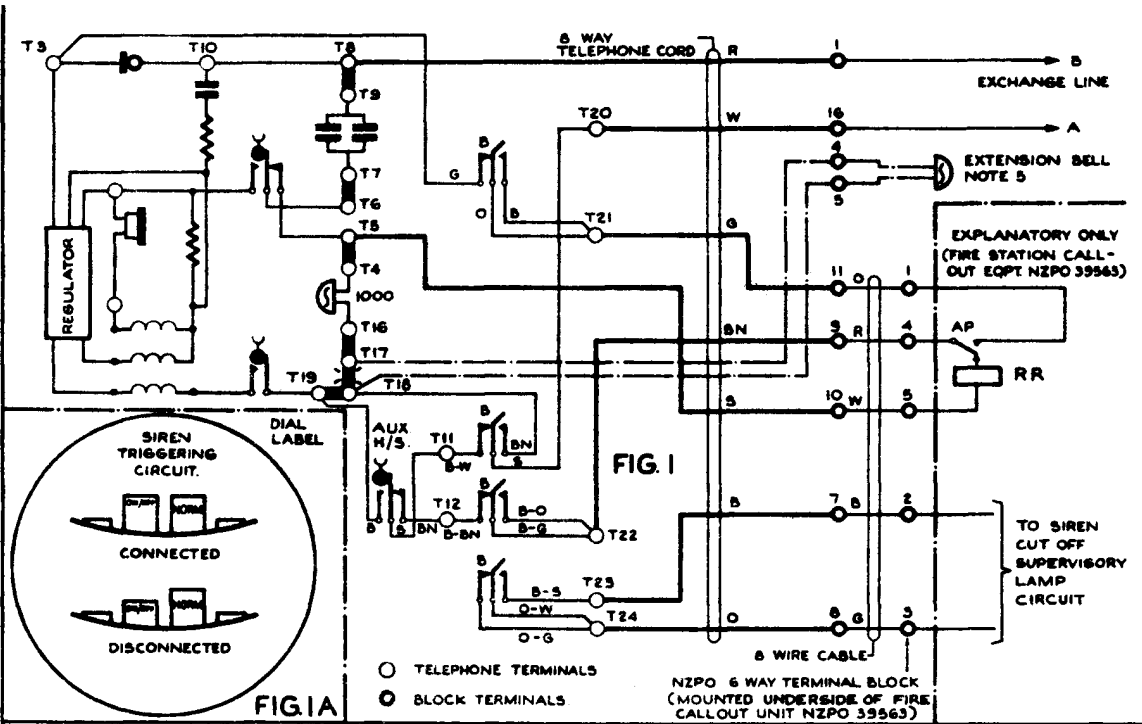


Copy for File N^o
701

[FOR OFFICIAL USE ONLY]

NZ. POST OFFICE

ENGINEERING NOTES



SCHEME G FIRE CALLOUT SYSTEM
FIRE STATION TELEPHONE

PAGE 1
OF 3
ISSUE 1

TELEPHONES
STATIONS
Z 1053

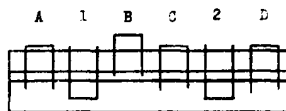
1. GENERAL.

1.1 This E.N. describes the method of adapting an NZPO 100-type telephone for use as a Scheme G Fire Station answer telephone.

2. APPARATUS.

Telephone	Cord	Block	Block	Term Strip	Aux. H/Switch	Dummy Dial
HC 60S-609	KC 754	HC 210	HC 200A-F	HC 695	HC 407	HC 300C-D

Springset	Button	Button Fig. 2
HC 686	HC 629B on/off	HC 624 Norm



On/Off Norm

Fig. 2

3. ARRANGEMENT.

3.1 Wire as shown on page 1.


3.2 Remove dial and strap T10-T8. Fit dummy dial and make dial label as shown in Fig. 1A and insert in place.

TELEPHONE Stations Z 1053	Page 2 of 3
	Issue 1

4. MAINTENANCE DEMARCATION.

4.1 The NZPO 6 way terminal block is to be regarded as the point of demarcation.

5. EXTENSION BELL.

5.1 Remove strap shown  and connect as shown - . - . - when required.

6. EXTENSION TELEPHONES.

6.1 In addition to the Fire Station Alarm TELEPHONE one other extension telephone may be connected elsewhere in the Fire Station or via an LDC to a fireman's residence (Plan 1 or 8).

6.2 As transmission is required between the Fire Station Alarm Telephone and extension telephone, the line length from the exchange to the furthest point is limited to 750 ohms.

6.3 A standard red telephone is to be provided for the extension and where interference by children could occur, it is to be wall mounted no less than 1.8M from the floor.

6.4 The extension telephone is additional to the normal automatic telephone at the residence concerned.