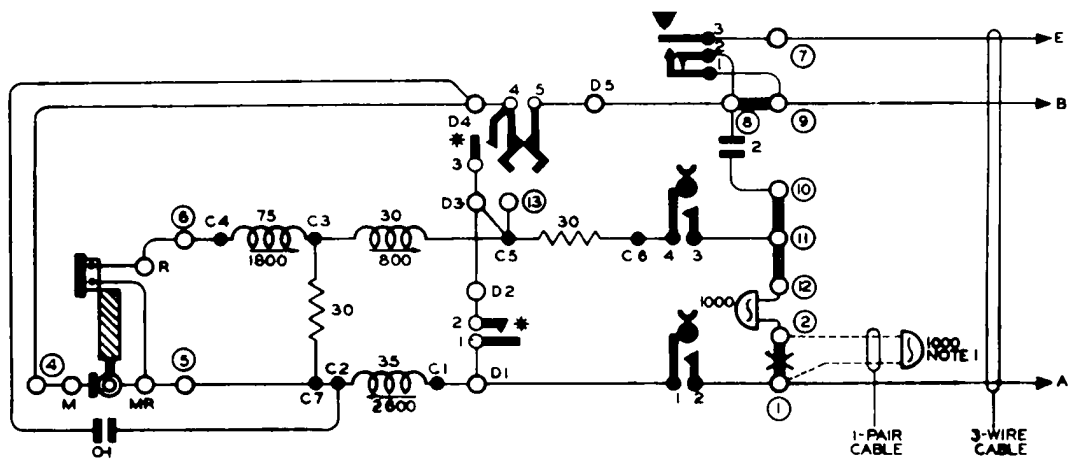


Copy for file N<sup>o</sup>  
701

DISTRIBUTION: E F G X Y  
For official use only

ENGINEERING NOTES  
N.Z. POST OFFICE



NOTES.  
1. WHEN EXTENSION BELL REQUIRED, REMOVE STRAP SHOWN \* AND WIRE BELL AS SHOWN ----.  
2. FOR METHOD OF CABLING TELEPHONE, SEE C1400

- TELEPHONE TERMINALS
- C INDUCTION COIL TERMINALS
- D DIAL STRIP TERMINALS
- \* DIAL SPRINGS
- DIRECTION OF WINDING

**AUTOMATIC TELEPHONE (WALL)**  
ERICSSON N<sup>o</sup> NI071E2

PAGE 1  
OF 2

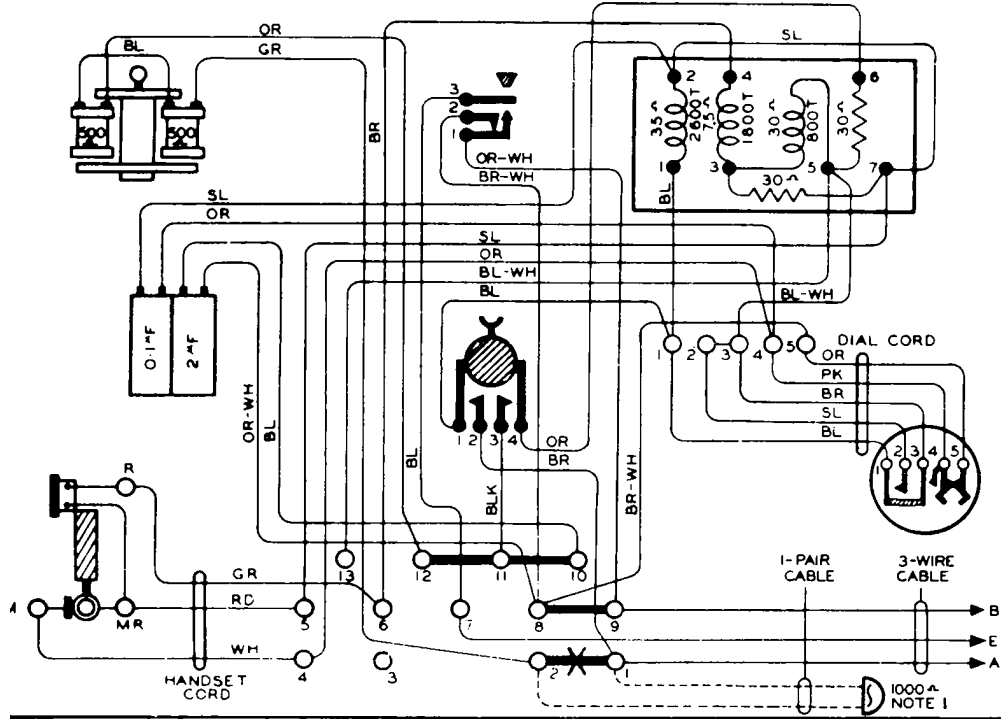
TELEPHONE STATIONS  
C1430

27 5 54

SCHEMATIC

S.L. N<sup>o</sup> HB930

ISSUE 1



TELEPHONE STATIONS  
C1430

PAGE 2  
OF 2

**AUTOMATIC TELEPHONE (WALL)**  
ERICSSON N<sup>o</sup> NI071E2

S.L. N<sup>o</sup> HB930

ISSUE 1

WIRING