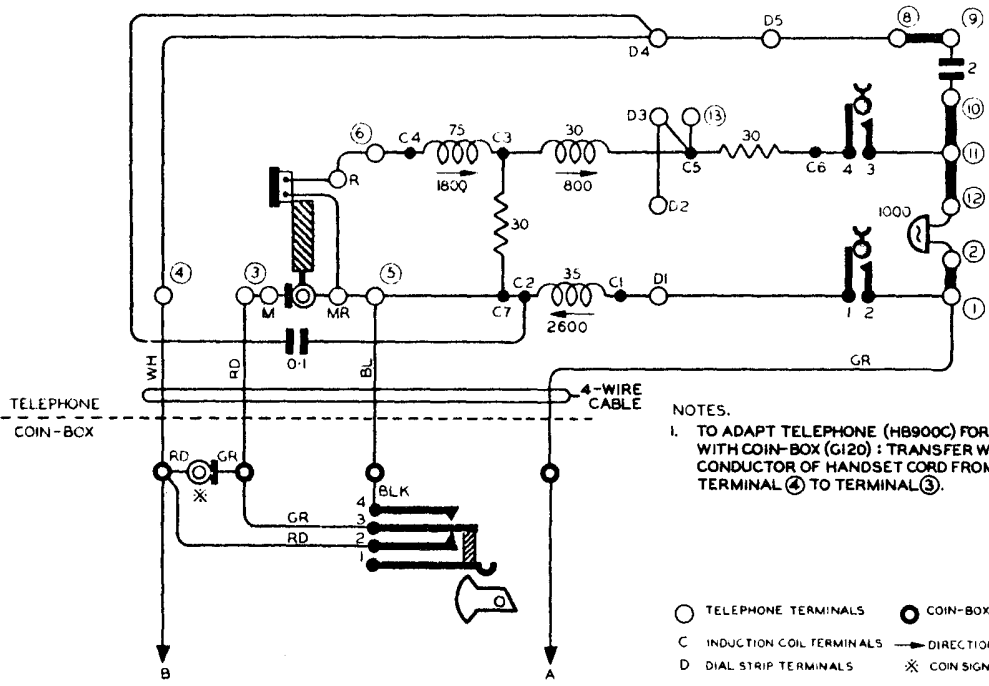


Copy for File No 701

ENGINEERING NOTES

(FOR OFFICIAL USE ONLY)

N.Z. POST OFFICE



NOTES.
 1. TO ADAPT TELEPHONE (HB900C) FOR USE WITH COIN-BOX (G120) : TRANSFER WHITE CONDUCTOR OF HANDSET CORD FROM TERMINAL (4) TO TERMINAL (3).

- TELEPHONE TERMINALS ● COIN-BOX TERMINALS
- C INDUCTION COIL TERMINALS → DIRECTION OF WINDING
- D DIAL STRIP TERMINALS * COIN SIGNAL TRANSMITTER

M-3-58

SCHEMATIC

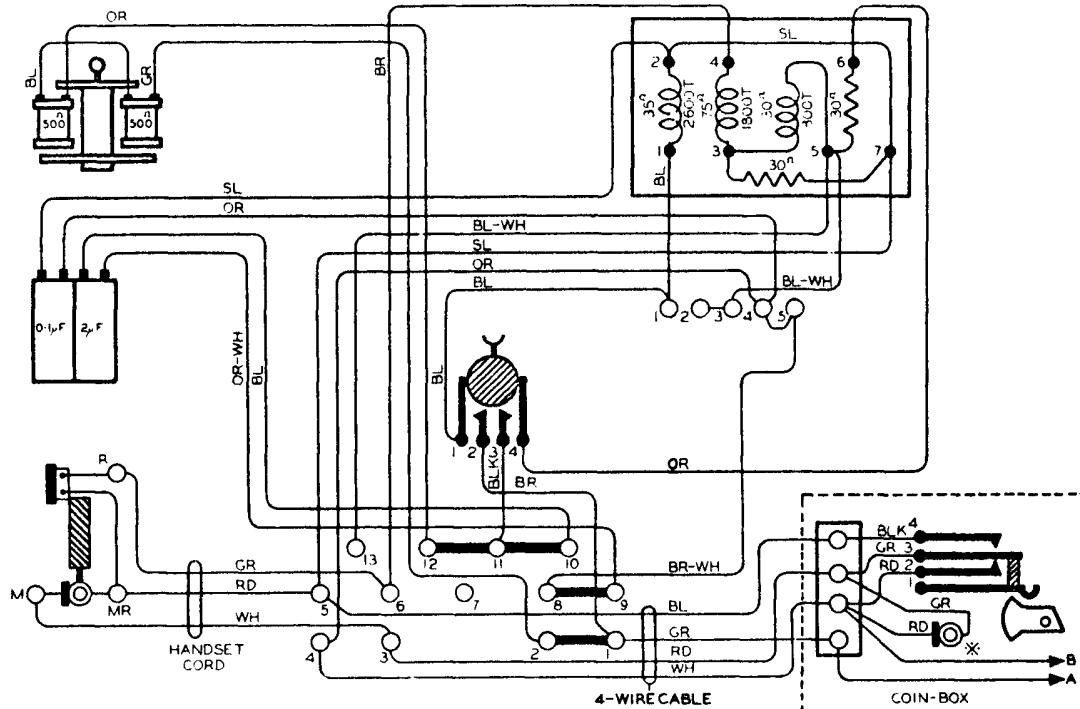
C. B. PUBLIC CALL OFFICE CIRCUIT WITH POST-PAYMENT MULTI-COIN-BOX B. P. O. N° 16 B

S.L. N° HB900C & G120

PAGE 1 OF 2

ISSUE 1

TELEPHONES STATIONS G1126



TELEPHONES STATIONS G1126

PAGE 2 OF 2

ISSUE 1

WIRING

C. B. PUBLIC CALL OFFICE CIRCUIT WITH POST-PAYMENT MULTI-COIN-BOX B. P. O. N° 16 B

S.L. N° HB900C & G120