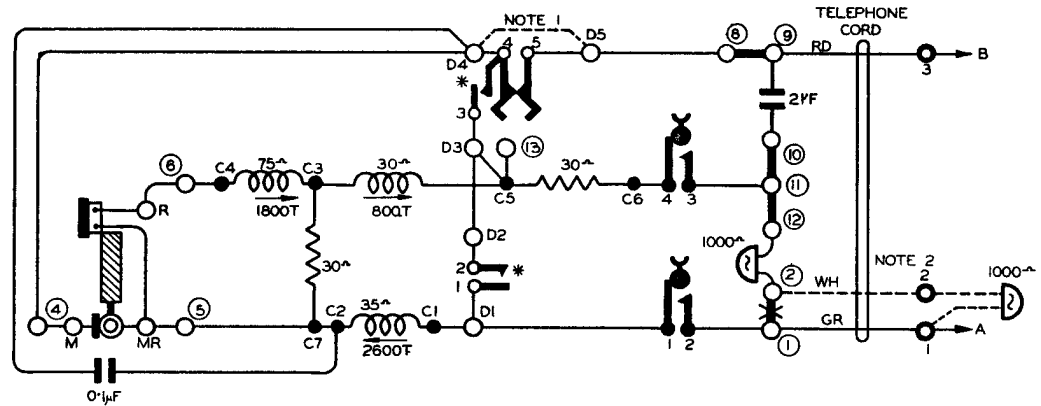


Copy Form 701
[FOR OFFICIAL USE]

DISTRIBUTION: E, F, G, X, Y

ENGINEERING NOTES

N.Z. POST OFFICE



NOTES.

- 1 FOR C.B. WORKING, REPLACE DIAL WITH DIAL DUMMY AND STRAP TERMINALS D4 AND D5.
- 2 WHEN EXTENSION BELL REQUIRED, REPLACE 2-CONDUCTOR CORD WITH 3-CONDUCTOR CORD AS SHOWN - - - - - AND REMOVE STRAP SHOWN ~~✗~~.
- 3 WHEN EXTENSION BELL CUT-OFF KEY REQUIRED - SEE C1355.
- 4 FOR CIRCUIT OF 332 TYPE TELEPHONE (HB 810) WITH HOLDING KEY ALARM SPRINGS SEE C1385.
- 5 WHEN TELEPHONE CONNECTED FOR 2-P.L. WORKING TO A MANUAL EXCHANGE WITH THROUGH-DIALLING CORD CIRCUITS, FIT A BIAS SPRING ON SIDE OF ARMATURE ADJACENT TO INDUCTION COIL.
- 6 WHEN TELEPHONE CONNECTED FOR M² PARTY WORKING TO A U.A.X., REMOVE THE STRAP AND CONNECT A VALVE K995D BETWEEN TERMINALS ① AND ②.

- TELEPHONE TERMINALS
- C INDUCTION COIL TERMINALS
- D DIAL STRIP TERMINALS
- BLOCK TERMINALS
- * DIAL SPRINGS
- ← DIRECTION OF WINDING

AUTOMATIC TELEPHONE (TABLE)
B.P.O. N^o 332
COMBINED SET (ONE-PIECE)

PAGE 1
OF 2

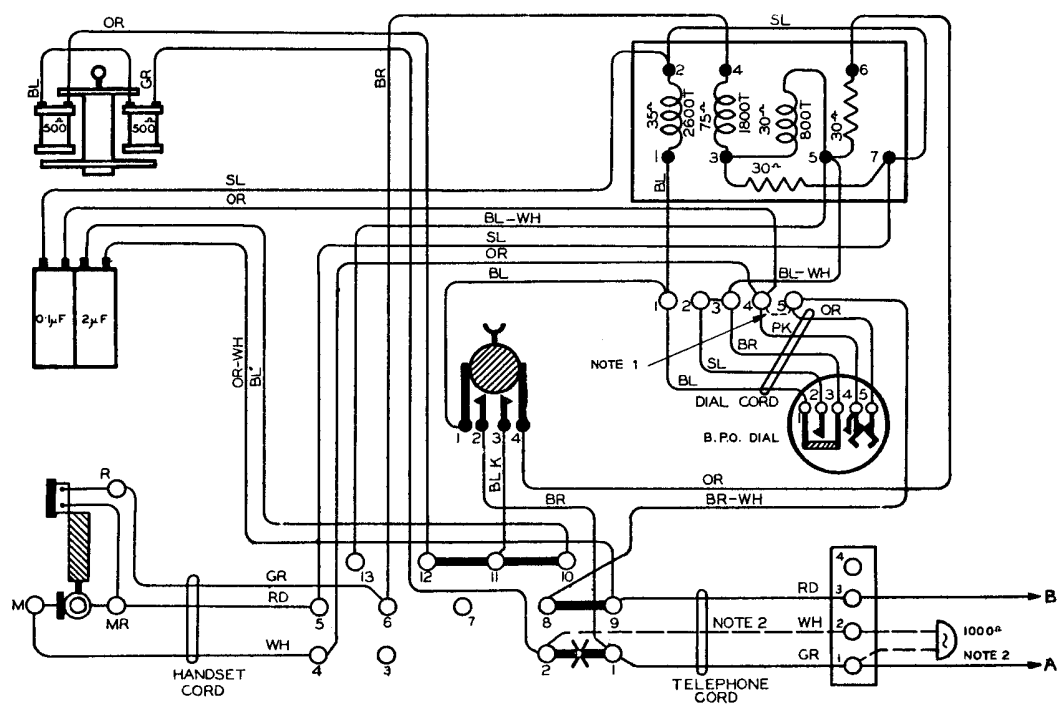
TELEPHONES
STATIONS
C1360

2.9.58

SCHEMATIC

S.L. N^o HB 670

ISSUE 2



N.Z. POST OFFICE

ENGINEERING NOTES

TELEPHONES
STATIONS
C1360

PAGE 2
OF 2
ISSUE 2

WIRING

AUTOMATIC TELEPHONE (TABLE)
B.P.O. N^o 332
COMBINED SET (ONE-PIECE)

S.L. N^o HB 670