

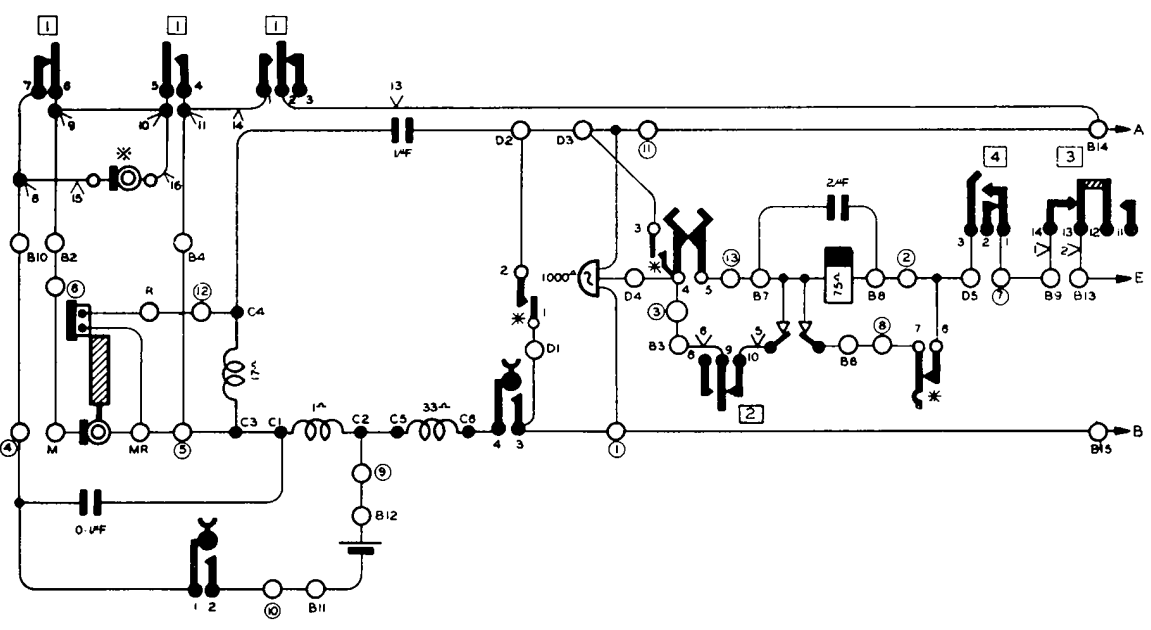
701

ENGINEERING NOTES

DISTRIBUTION: E; FLO (4,5); M.S.XY (6, 10); W.2

[FOR OFFICIAL USE]

N.Z. POST OFFICE



RURAL AUTOMATIC PUBLIC CALL OFFICE CIRCUIT  
WITH PRE-PAYMENT MULTI-COIN-BOX  
B.P.O. N<sup>o</sup> 14 D

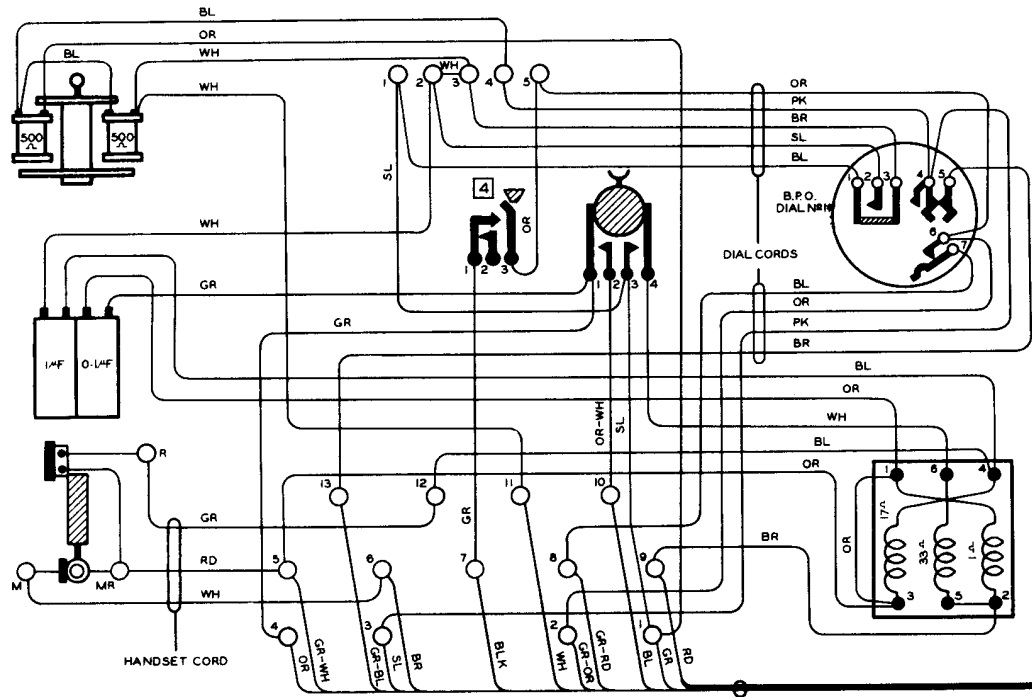
PAGE 1  
OF 4

TELEPHONES  
STATIONS  
G1115

30.5.49

SCHEMATIC

S.L. N<sup>o</sup> H1170 MOD. G111E, & G110.



TELEPHONE, H1170 MOD, NOTE 1

12/54 CORD KC 765

RURAL AUTOMATIC PUBLIC CALL OFFICE CIRCUIT  
WITH PRE-PAYMENT MULTI-COIN-BOX  
B.P.O. N<sup>o</sup> 14 D

S.L. N<sup>o</sup> H1170 MOD. G111E, & G110.

TELEPHONES  
STATIONS  
G1115

PAGE 2  
OF 4

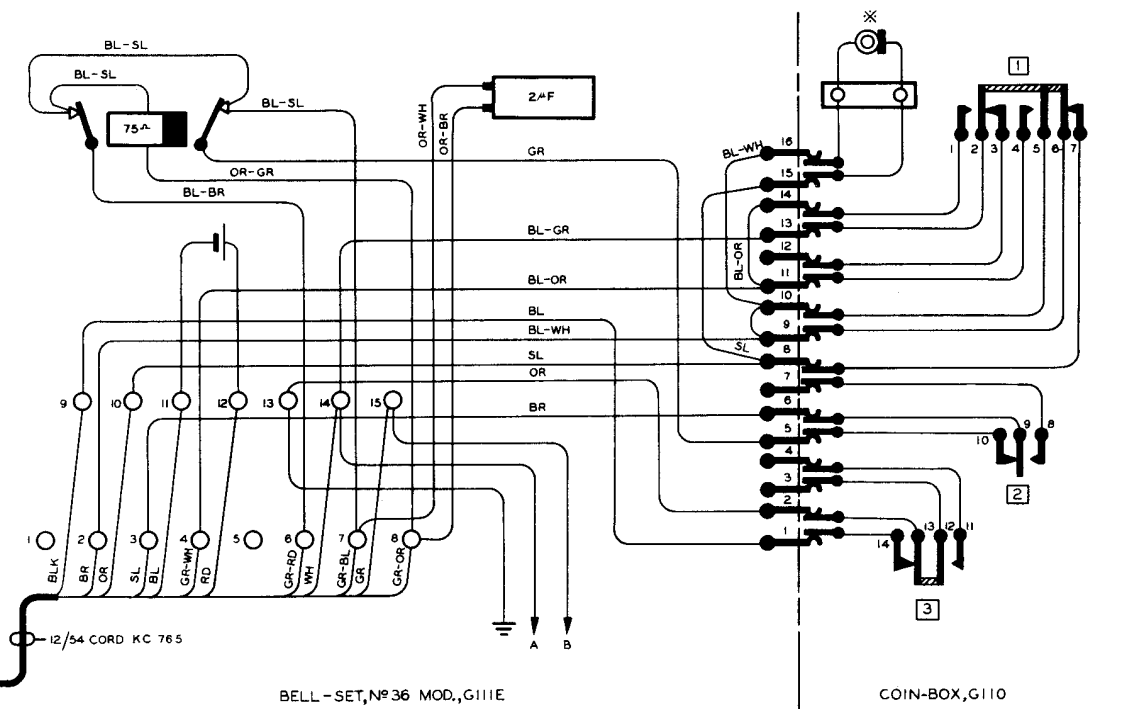
WIRING

N.Z. POST OFFICE

ENGINEERING NOTES

ENGINEERING NOTES

N.Z. POST OFFICE



**RURAL AUTOMATIC PUBLIC CALL OFFICE CIRCUIT  
WITH PRE-PAYMENT MULTI-COIN-BOX**

B.P.O. N<sup>o</sup> 14 D

S.L. N<sup>os</sup> H 1170 MOD., G 111E, & G 110.

PAGE 3  
OF 4

**TELEPHONES  
STATIONS  
G 1115**

WIRING

ISSUE 1

**SYMBOLS.**

- B BELL - SET, N<sup>o</sup> 36 MOD., BLOCK TERMINALS.
- > PLUG AND JACK SPRINGS.
- C INDUCTION COIL TERMINALS.
- \* DIAL SPRINGS.
- D DIAL STRIP TERMINALS.
- ① OPERATED BY INSERTION OF COINS. } RELEASED BY
- ② OPERATED BY CORRECT WEIGHT OF COINS. } BUTTONS A OR B
- ③ OPERATED BY DEPRESSION OF BUTTON B.
- ④ OPERATED BY AUTOMATIC BUTTON ON TELEPHONE.
- ① TELEPHONE TERMINALS.
- \* COIN SIGNAL TRANSMITTER.

**NOTES.**

1. TO ADAPT TELEPHONE (H 1170) FOR USE WITH THIS CIRCUIT -
  - (A) REPLACE 8-CONDUCTOR CORD AND EXTERNAL 8-WAY BLOCK WITH A 12-CONDUCTOR CORD (KC 765). END WITH STRAIN CORD TO BE TERMINATED ON TELEPHONE.
  - (B) TRANSFER WHITE CONDUCTOR OF HANDSET CORD FROM TERMINAL ④ TO TERMINAL ⑥
  - (C) TRANSFER ORANGE WIRE FROM TERMINAL ② TO TERMINAL ①
  - (D) FIT ADDITIONAL 4-CONDUCTOR DIAL CORD MADE FROM A CORD (KC 734) WITH SLATE CONDUCTOR REMOVED. RUN THIS FROM TOP TO BOTTOM OF TELEPHONE CHASSIS THROUGH HOLE IN CHASSIS CLOSE TO CONDENSER. ENSURE CORD DOES NOT IMPEDE OPERATION OF BELL.

N.Z. POST OFFICE

ENGINEERING NOTES

**TELEPHONES  
STATIONS  
G 1115**

PAGE 4  
OF 4

ISSUE 1

NOTES

**RURAL AUTOMATIC PUBLIC CALL OFFICE CIRCUIT  
WITH PRE-PAYMENT MULTI-COIN-BOX**

B.P.O. N<sup>o</sup> 14 D

S.L. N<sup>os</sup> H 1170 MOD., G 111E, & G 110.