

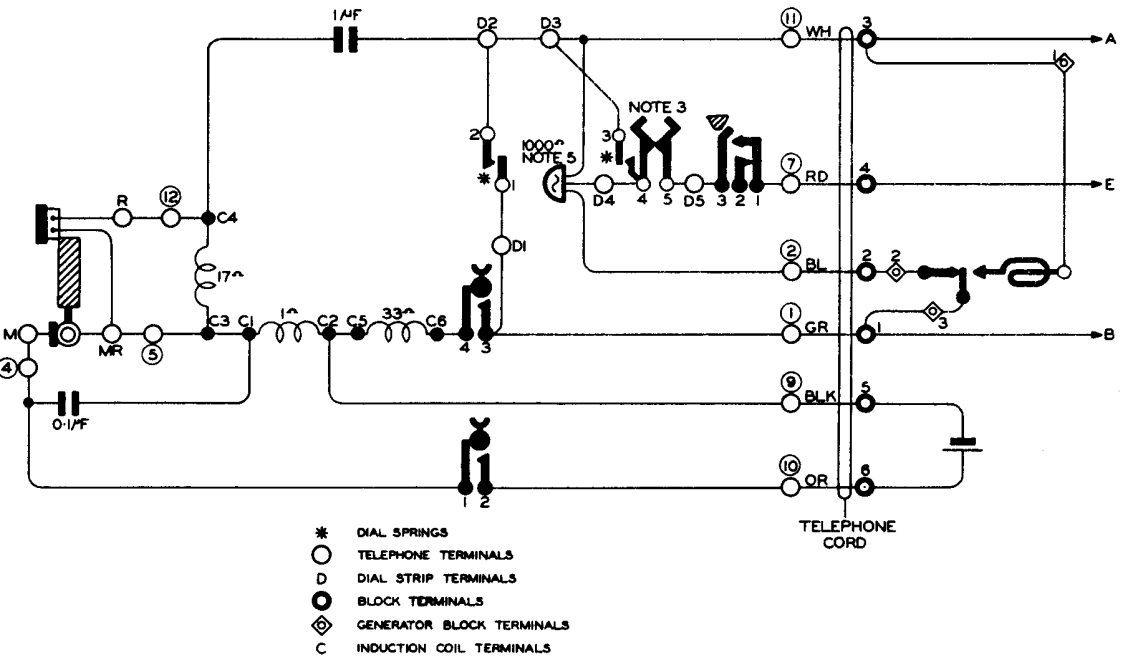
701

DISTRIBUTION: E; FLD (4 5); S; W2; XY (6 17 18)

[FOR OFFICIAL USE]

ENGINEERING NOTES

N.Z. POST OFFICE



AUTOMATIC TELEPHONE, RURAL (TABLE)

PAGE 1 OF 3

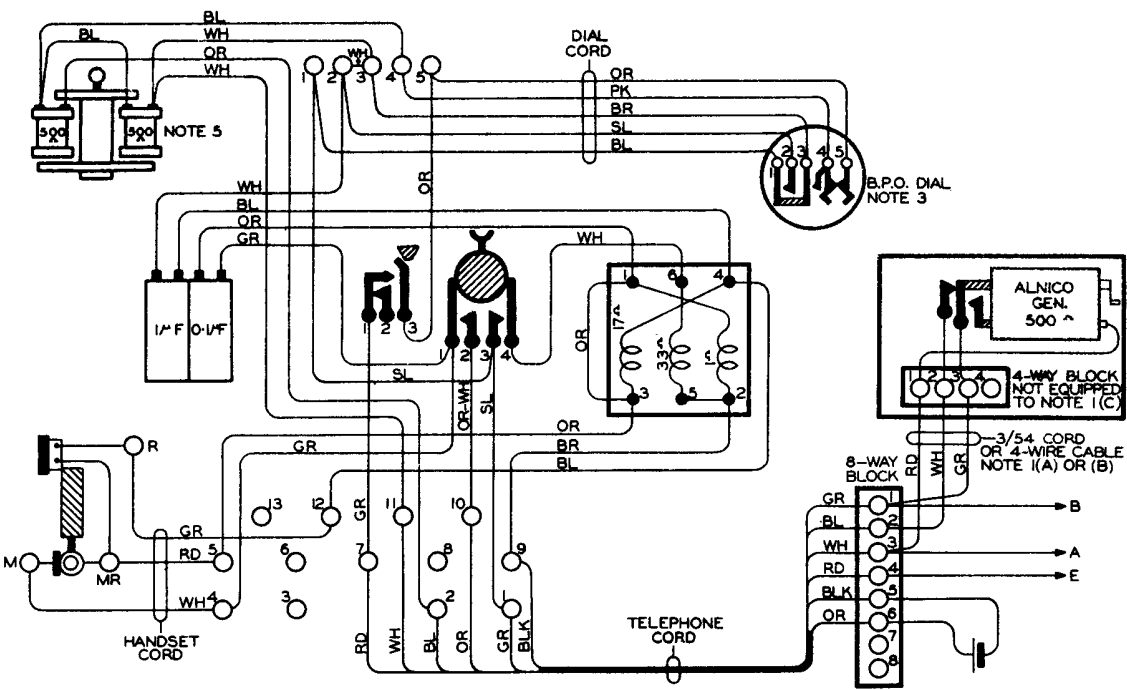
TELEPHONES STATIONS C1217

3.7.51.

SCHEMATIC

S.L. N° H1170

ISSUE 1



N.Z. POST OFFICE

ENGINEERING NOTES

TELEPHONES STATIONS C1217

PAGE 2 OF 3

AUTOMATIC TELEPHONE, RURAL (TABLE)

S.L. N° H 1170

ISSUE 1

WIRING