

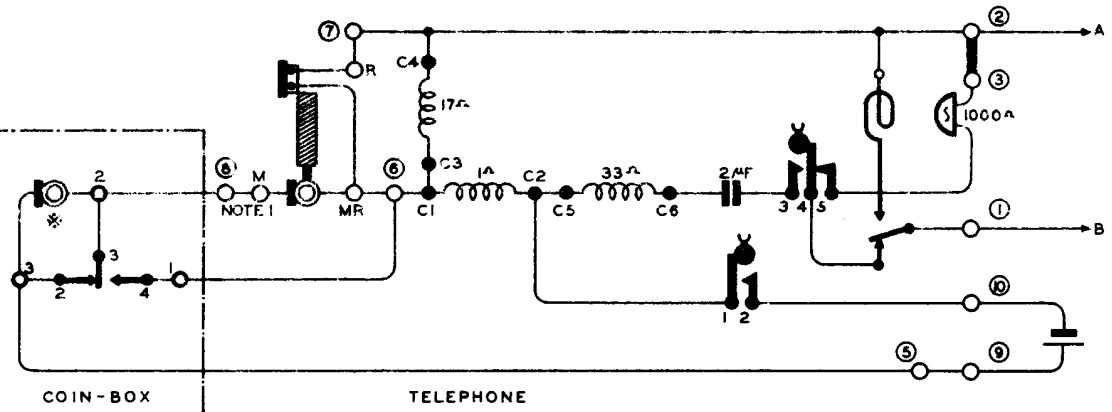
701

DISTRIBUTION: EFLOS; MIS, WZ; X(17 19)

FOR OFFICIAL USE ONLY

N. Z. POST OFFICE

ENGINEERING NOTES



NOTES.

1. TO ADAPT TELEPHONE F 325 FOR USE WITH COIN-BOX (G120) TRANSFER WH CONDUCTOR OF HANDSET CORD FROM TELEPHONE TERMINAL 5 TO 8.
2. FOR METHOD OF CABLING TELEPHONE SEE B 1131.

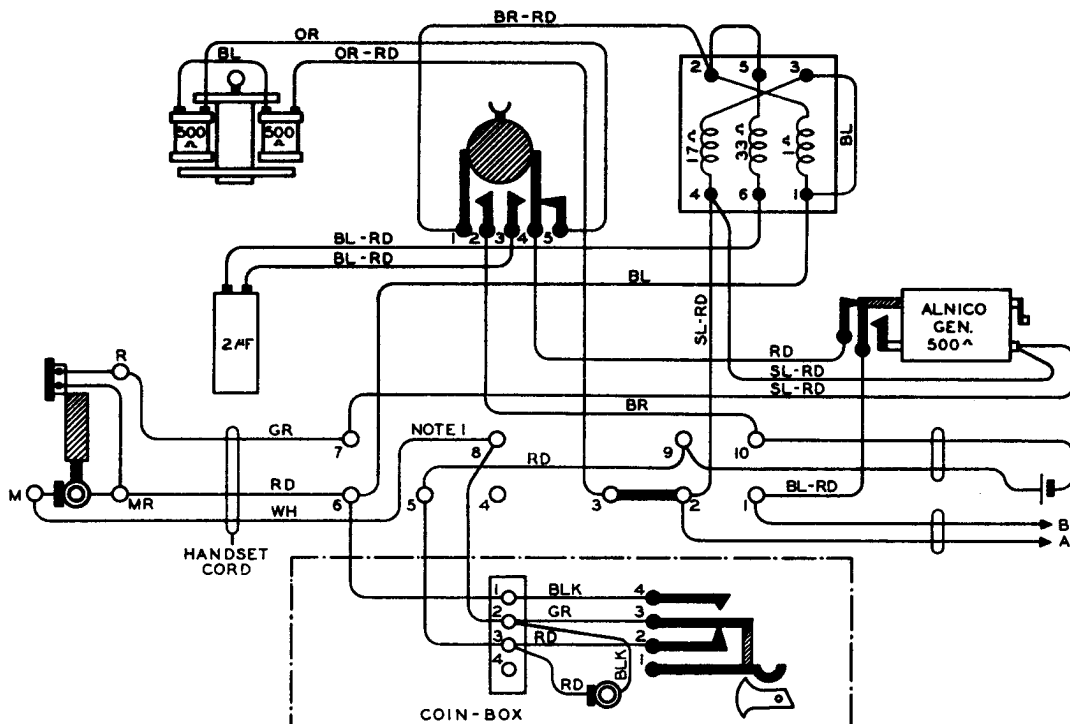
- TELEPHONE TERMINALS
- INDUCTION COIL TERMINALS
- COIN-BOX TERMINALS
- * COIN SIGNAL TRANSMITTER

MAGNETO PUBLIC CALL STATION CIRCUIT
WITH POST-PAYMENT MULTI-COIN-BOX
SCHEMATIC B. P. O. N° 16 B S.L. N° F 325, G 120

PAGE 1
OF 2

TELEPHONES
STATIONS
G 1121

ISSUE 1



ELEPHONES
STATIONS
G 1121

PAGE 2
OF 2

ISSUE 1

WIRING

MAGNETO PUBLIC CALL STATION CIRCUIT
WITH POST-PAYMENT MULTI-COIN-BOX

B. P. O. N° 16 B

S.L. N° F 325, G 120