

MAGNETO TELEPHONE, TABLE

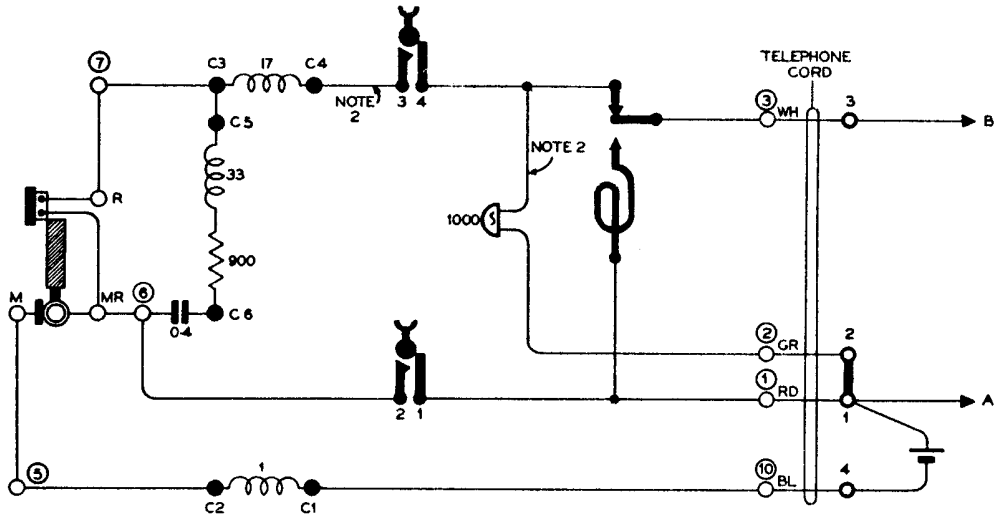
Copy for File No 701

DISTRIBUTION: E F G X Y

FOR OFFICIAL USE ONLY

ENGINEERING NOTES

N. Z. POST OFFICE



- NOTES
1. WHEN EXTENSION BELL REQUIRED, WIRE BETWEEN BLOCK TERMINALS 2 & 3. EXTENSION BELL INSTRUCTIONS IN CIRCUIT INSIDE TELEPHONE SHOULD BE DISREGARDED.
 2. THESE WIRES LOOPED ABOVE CAPACITOR.
- BLOCK TERMINALS
 ○ TELEPHONE TERMINALS
 C INDUCTION COIL TERMINALS

2-5-61

SCHEMATIC

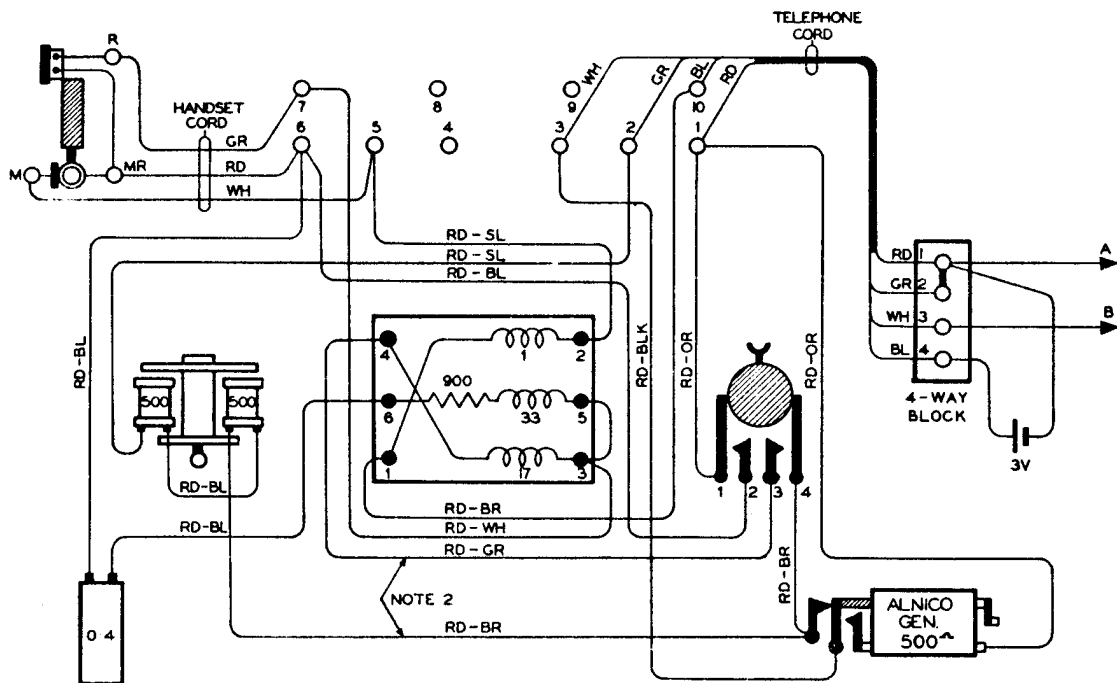
MAGNETO TELEPHONE (TABLE)
ERICSSON N° N2123 A1

S.L. N° F 195

PAGE 1
OF 2

ISSUE 2

TELEPHONES
STATIONS
B 1115



TELEPHONES
STATIONS
B 1115

PAGE 2
OF 2

ISSUE 2

WIRING

MAGNETO TELEPHONE (TABLE)
ERICSSON N° N2123 A1

ERICSSON N° N2123 A1

S.L. N° F 195