



- Vandal resistant metal buttons
- One, two or three button autodial options with remote programming
- DTMF/LD dialling
- Line powered down to 25mA
- Optional mains supply adapter
- Hands free operation (VOX)
- Non-volatile memory store
- Audio-visual ring indication
- Flush or surface mounting
- Optional variant available with SMART (Self Monitoring And Reporting)
- Optional Induction Loop facility for hearing impaired

The Help Point family of telephones is fully electronic, ruggedised and weather resistant. It provides hands free loudspeaking communications such as intercom PBX switching or can be coupled directly to the UK telecom network.

Help Point is flush or surface mounted and designed to be fixed to a vertical surface by vandal resistant tamperproof screws. The combined key pad and faceplate is weather resistant and depending on suitable interface sealants, has an IP rating of up to IP65 depending on installation.

The internal components are protected by a weather resistant enclosure behind the faceplate.

Incoming calls are indicated by a flashing LED and audible warble tone.

Units are available as multi or single button autodiallers providing on/dial/off functions.

**Help Point Hands Free Models**

**Keypad Diallers:**

All models can be configured to be fully compatible with most PABX's or PTT networks. Loop disconnect (LD) and Tone dialling (DTMF) systems are internally selectable, as are a variety of recall systems, Time Break Recall (TBR) and Earth Loop Recall (ELR).

**1, 2 & 3 button Autodiallers:**

These models are programmable with numbers up to 24 digits. A microphone muting facility guards against unauthorised calls made with a portable MF tone pad.

**CB Telephone (with memory):**

This can be used as a 'hotline' or press 'ON' and wait for reply.

**SMART Option:**

Self Monitoring And Reporting Telephone optional variants available, please call.



# DAC Telephony

## VR (Help Point)

### Hands Free Vandal Resistant Telephone

#### TECHNICAL SPECIFICATIONS

##### Speech:

Tested to the latest 95/031S NTR3 specification.  
Voice-switched (VOX) semi-duplex operation.  
Send & Receive levels remote programmable (1dB step)  
Call timeout programmable from 1 to 42 minutes.  
Remote switch-off capability.  
Euro-wide network matching (factory set).

##### Dialling Data:

LD impulse rate : 10 ips  
MF dialling tones meet international standard requirements  
CCITT Q23.  
Initial dialling and recall modes: DTMF or LD, TBR or ELR, Mute-Before-Dial (remote programmable).  
Other formats (factory set):-  
DTMF: 50ms or 100ms.  
LD: 66:33 / (60:40 option factory set) 500ms / 800ms idp  
TBR: 100ms, 300ms or 600ms.  
1,2 or 3 button keypad.  
Autodial keypad single-press switch-on-and-dial.  
24 digits maximum with embedded Recall, Pause, Pulse & Tone characters.

**Safety:** Tested to EN41003 and EN60950.

##### Ringing and Remote Maintenance:

Dual tone ringing through loudspeaker >75 dB @ 1m REN 1.  
Auto-answer for remote programming: 0 to 15 rings.  
Speech disabled during remote programming: call cleared down in favour of user dialling.

**Sensing:** Remote sensing of network loop current (2.5 mA resolution) and power-supply connection.  
The keypad can be remote scanned to determine any button press.

**Power Supply:** Line powered only operation down to 25mA.  
Supplementary power 6 - 9Vdc 100mA, 12Vdc 250mA. Below 35mA line current supplementary power is recommended to achieve full volume.

**Memory Retention (autodiallers):** E<sup>2</sup> Prom - 10 year life.

##### Temperatures:

Operating: -20° C to +60° C  
Storing: -40° C to +70° C

**Relative Humidity:** Up to 95% (non-condensing).

**Weather Resistance:** Up to IP65 dependent on installation.  
Please call for advice on application.

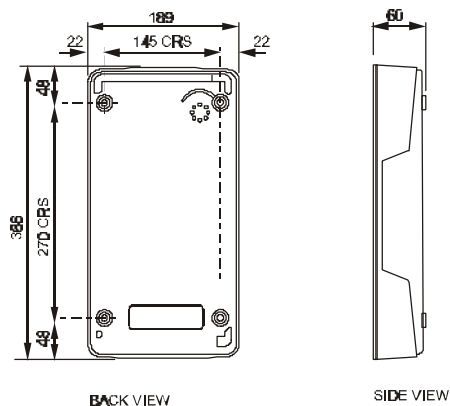
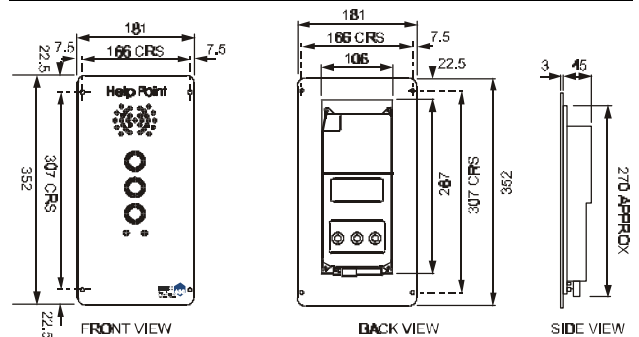
**Casing Material:** Front face plate mounting: aluminium sheet, polyester powder coat finish - grey, yellow. Call for other options.  
Rear enclosure (if required).

**Keypad:** Metal, vandal resistant

##### Dimensions:

Face plate: H352mm x W181mm x D43mm  
Fixing: H307 X W166 mm CRS  
Back enclosure: H-366mm x W-189mm x D-130mm  
Fixing: H270 x W145 mm CRS  
**Weight:** 1.1kg.

#### DIMENSIONS



#### APPROVALS



GAI-Tronics has been assessed and approved by BAPT as a listed production facility for simple and feature telephones

For specific country approval, please call

#### ORDER CODE

VR1 - 1 button telephone	028-02-2001-901
VR2 - 2 button telephone	028-02-2002-901
VR3 - 3 button telephone	028-02-2003-901



GAI-Tronics Limited, UK - Tel: +44 (0)1283 500500 - Fax: +44 (0)1283 500400 - [www.gai-tronics.co.uk](http://www.gai-tronics.co.uk)

GAI-Tronics Corporation, USA - Tel: +1(610) 777 1374 - Toll Free: 800 492 1212 - Fax: +1(610) 775 6540 - [www.gai-tronics.com](http://www.gai-tronics.com)

GAI-Tronics S.r.l, Italy - Tel: +39 02 48601 460 - Fax: +39 02 4585 625

GAI-Tronics Corporation, Malaysia - Tel: +60 3 6277 6091 - Fax: +60 3 6277 6093

An ISO9001 Registered Company

The policy of GAI-Tronics is one of continuous improvement, therefore the company reserves the right to change specifications without notice.

B153-4-0303B/CN19245