



TELEPHONE WEATHERPROOF
(CB - VANDAL RESISTANT)
617/02187/025

PLESSEY OFFICE SYSTEMS LIMITED
Beeston, Nottingham, England, NG9 1LA

Printed in Great Britain

PLEASE NOTE

In order that customers may benefit from the improvements made from time to time in the design of components, the current equivalent of any part ordered is always supplied.

It will be interchangeable with the original part but may not necessarily bear the identical Code No.

AUTO, C.B. OR MAGNETO, ALL-WEATHER TELEPHONE

Every requirement for a weather-proof telephone for traction routes, building sites, etc., is met in the design of this instrument for wall, pole or post mounting. These requirements include compactness, light weight, robustness, durability, high quality transmission, low cost, low maintenance liability, and security against unauthorised use.

Provision for an Operator Recall pressbutton when specified is made in the auto and c.b. telephones.

Electrical characteristics equivalent to those of the Etelphone ensure wide frequency response and volume efficiency over lines of up to 1000 ohms loop resistance.

CONSTRUCTION

The use of materials liable to corrosion is avoided. The enclosure, consisting of a base, a body and a hinged door, is corrosion-resistant aluminium alloy, other parts are brass, phosphor-bronze and high quality stainless steel.

The body is a robust aluminium alloy casting, webbed to form a solid internal shelf for the handset and drilled as necessary for the dial and/or pressbutton. Two screws inside the body secure it to the base, on which the remaining components are mounted.

The door, another aluminium alloy casting, has brass hinges and a phosphor-bronze catch. It is channelled to mate with the rim of the body so that foamed neoprene in the channel excludes moisture when the door is shut. The automatic catch is plunger-controlled, a single motion of the hand sufficing to release it and flip open the door. Self-closing doors, and doors equipped with locks are available to special large quantity order.

The stoved enamelled hard aluminium alloy base, with three hollow bosses on its underside for mounting purposes fits well inside the telephone body and compresses the foamed neoprene strip to make the joint weatherproof. Two brass bosses threaded for $\frac{3}{4}$ " (19mm) dia. conduit are attached to the bottom of the base for the entry of external wires.

For magneto working, a cast aluminium alloy enclosure for the batteries is fixed to the bottom of the base; the conduit entries are then in the bottom of this auxiliary enclosure, and the incoming wires connect to a terminal block from whence they are permanently wired through an insulated hole into the telephone base.

INSTALLATION AND MAINTENANCE

Installation is facilitated by the telephone body being separate from the base, enabling the base to be fixed and the external wires terminated before the body is attached.

For maintenance, the body fixing screws are released, the door is then closed to protect the handset and the body lifted down to hang suspended from the base by the nylon cord provided. Thus all components and wires are accessible.

MOUNTING ADAPTORS

For pole fixing, a simple form of non-slip adaptor is supplied, consisting of a suitably drilled plate with two stainless steel worm clips; these are available in three sizes and adjustable to suit poles between 3 in. to 12 in. (76 to 304mm) diameter.

The post-fixing adaptor, for mounting motorway telephones only, on a 2 in. (51mm) diameter post, consists of a spigot mounting casting of aluminium alloy, with vertical telephone mounting plate.

COMPONENTS AND FINISH

Components similar to those in the Etelphone and therefore of proven reliability are used.

The handset with temperature resistant coiled cord, is moulded in high-impact plastic. The handset is held in position by a stainless steel 'rest' at the receiver end and a phosphor-bronze clip at the bottom.

The dial number-ring has black characters on a white ground. Unless otherwise specified, dials have standard numbering and a 2 : 1 break:make ratio.

The stainless steel 4 in. (101mm) dia. ringer gongs are mounted on the underside of the base so that signals can be clearly heard.

The magneto version contains a transistor ringing-current generator which is actuated by the use of a pressbutton. A box for four ordinary torch cells is fitted at the lower end of the telephone.

Apparatus finishes are suitable for the tropics and connecting wires are insulated with p.v.c., which is impervious to moisture and not subject to mould growth or insect attack.

The front of the telephone displays a raised silhouette of a handset in light-grey to contrast with the darker background. The general interior and exterior hammer finish of the body is light-grey stoved enamel.

ORDERING INFORMATION

When ordering, please state the equipment items and corresponding code numbers from the table below, together with quantities required. Also provide information (a) and (b) as appropriate.

- (a) Wall, pole, or post mounting. For pole mounting, give diameter of pole.
- (b) Type of door, if other than standard manual-closing type.

Type No.	Wall Telephone	Dimensions			Weight
		Height	Max. Width	Depth	
617/1/02186/000 etc.)	Auto without press- button)	12½ in (311mm)	5¾ in (146mm)	6⅝ in (168mm)	10½ lb (4.77kg)
	Auto with ")				
617/1/02187/000 etc.)	C.B. without ")				
	C.B. with ")				
617/1/02188/000 etc.	Magneto	17½ in (444mm)	5¾ in (146mm)	6⅝ in (168mm)	14¾ lb (6.69kg)
617/1/02187/014	C.B. Motorway	17½ in (444mm)	5¾ in (146mm)	8⅞ in (217mm)	10½ lb (4.77kg)

Pole Mounting Unit Code	Dia of Pole
N111333A	3' - 6"
" B	6' - 9"
" C	9' - 12"
" D	without clips

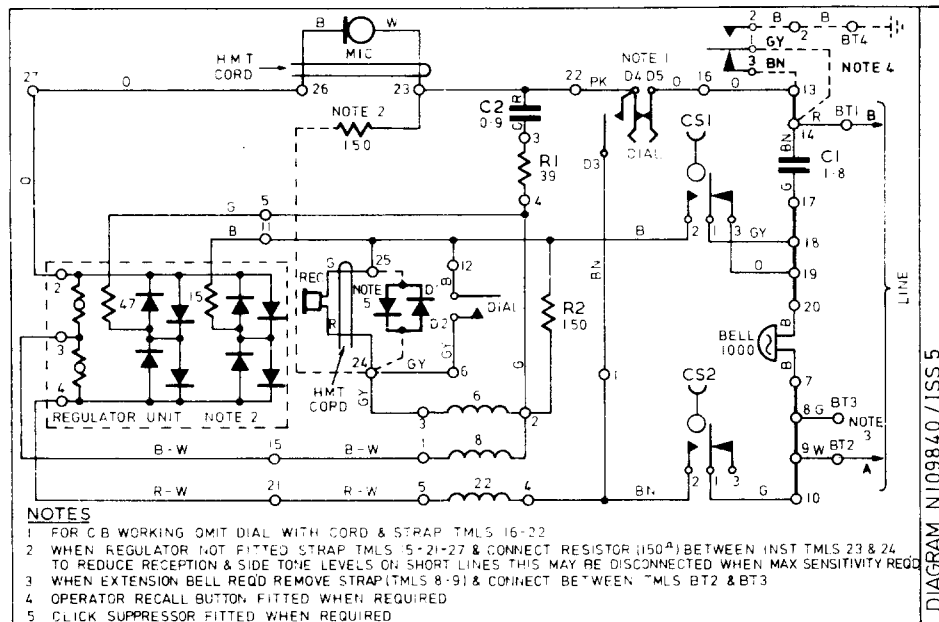
Post Mounting Adaptor for Motorway Type C.B. Telephones	N200134A
---	----------



DIAGRAM

N109840

AUTO/CB WEATHERPROOF TELEPHONE
(N1240 TYPE)



N109840			
CODE		FORMERLY	P.O. CODE
APPROX. WEIGHT			
SCALE			

ISSUE No	1	2	3	4	5

© 1974 THE PLESSEY COMPANY LIMITED THIS DRAWING MUST NOT BE USED FOR ANY PURPOSE OTHER THAN THAT FOR WHICH IT IS SUPPLIED.

ITEM	DET.DRG.OR CODE	DESCRIPTION	B.P.O. CODE
		WOOD SCREWS FIXING	
142	E81213-3107-48	Instrument (supplied loose)	
		WASHERS FIXING	
150	N71405	Plunger	1/SSP/495
152	WSX 44 L	Magnet, Plate	
154	999/4/02922/030	Dome, Ringer	

A4	DR.	APPROVED	ENG.	TITLE WEATHERPROOF TELEPHONE C.B. (VANDAL RESISTANT)			
	TR.		MTH.				
A4	CH		DRFT.				
	ENG.	DEPT.					
					16.3.79	1	P.B.
					DATE	ISS.	SIG.
THE PLESSEY CO. LTD. TELECOM. GRP., BEESTON.			DRG. No.	617/1/02187/025		SHT. No.	4-4

© 1974 THE PLESSEY COMPANY LIMITED THIS DRAWING MUST NOT BE USED FOR ANY PURPOSE OTHER THAN THAT FOR WHICH IT IS SUPPLIED.

ITEM	DET.DRG.OR CODE	DESCRIPTION	B.P.O. CODE
173	403/4/78088/161	Resistor, 150 ohms	26GC/150 ohms
176	403/4/78132/429	Resistor, 150 ohms	
		SCREWS FIXING	
111	N102239	Dome, Ringer	
112	N109832	Body	
113	N109858	Plug, Cable Entry	
117	N202856	Magnet, Plate	
118	SSX42 Ch.1/4"	Bracket Cradle Entry	
119	SSX42 Csk.3/8"	Hinge	
120	SSX42 Csk.7/16"	Handle, Door	
121	SSX42 Csk.9/16"	Hinge	
123	SSX44 Ch.7/16"	Ringer	
124	SSX46 Ch.5/16"	Label	
125	SSX46 Ch.1/8"	Cord, Strain Bracket Clip Capacitor & Blocking Holes.	
126	SSX46 Ch.3/16"	Bracket Microswitch	
128	SSX46 Ch.5/16"	Strain Cord and Buffer	
129	SSX46 Ch.5/16"	Plate Cradle	
131	SSX46 Csk.7/16"	Plate	
133	SSX66 Csk.5/8"	Block, Terminal	
134	SSX46 Ch.11/16"	Bush Coil Induction	
136	SSX66 Ch.1/2"	Block, Terminal	
138	SSX610 Csk.1/4"	Armature	
139	991/4/01502/005	Plate and Bush	

A4	DR.	APPROVED	ENG.	TITLE TELEPHONE WEATHERPROOF C.B. (VANDAL RESISTANT)			
	TR.		MTH.				
CH.	DRFT.						
A4	ENG.	DEPT.			16.3.79	1	P.B.
				DATE	ISS.	SIG.	

THE PLESSEY CO. LTD.
TELECOM. GRP., BEESTON.

DRG. No. 617/1/02187/025

SHT. No. 3-4

© 1974 THE PLESSEY COMPANY LIMITED. THIS DRAWING MUST NOT BE USED FOR ANY PURPOSE OTHER THAN THAT FOR WHICH IT IS SUPPLIED.

ITEM	DET.DRG.OR CODE	DESCRIPTION	B.P.O. CODE
55	N110723	Pillar, Terminal Block	
58	N112748	Tube	
61	N115434	Pin	
62	N115435	Rod	
63	N115436	Hinge, L.H.	
64	N115437	Hinge, R.H.	
65	N115438	Hinge, R.H.	
66	N115439	Bracket	
69	N121591	Handle, Door	
70	915/2/04326/000	Buffer	
71	N202853	Plate	
72	N202854	Magnet	
73	N202855	Block	
74	N202857	Plate	
75	N202859	Bush	
89	915/4/98105/001	Cleat, Cable	
93	617/2/03605/000	Label, self adhesive	
95	N110722A2	Block, Terminal	
99	N115445	Spring	
103	617/2/03603/000	Label	
105	N203896	Strip, Neoprene	
106	N203897	Strip, Neoprene	
107	984/4/00002/003	Label, Plessey	
162	N3855A1T	Coil, Induction	
167	400/4/98835/000	Capacitor, 1.8uF + 0.9uF	7717/2
172	403/4/78088/154	Resistor, 39 ohms	26GC/39 ohms

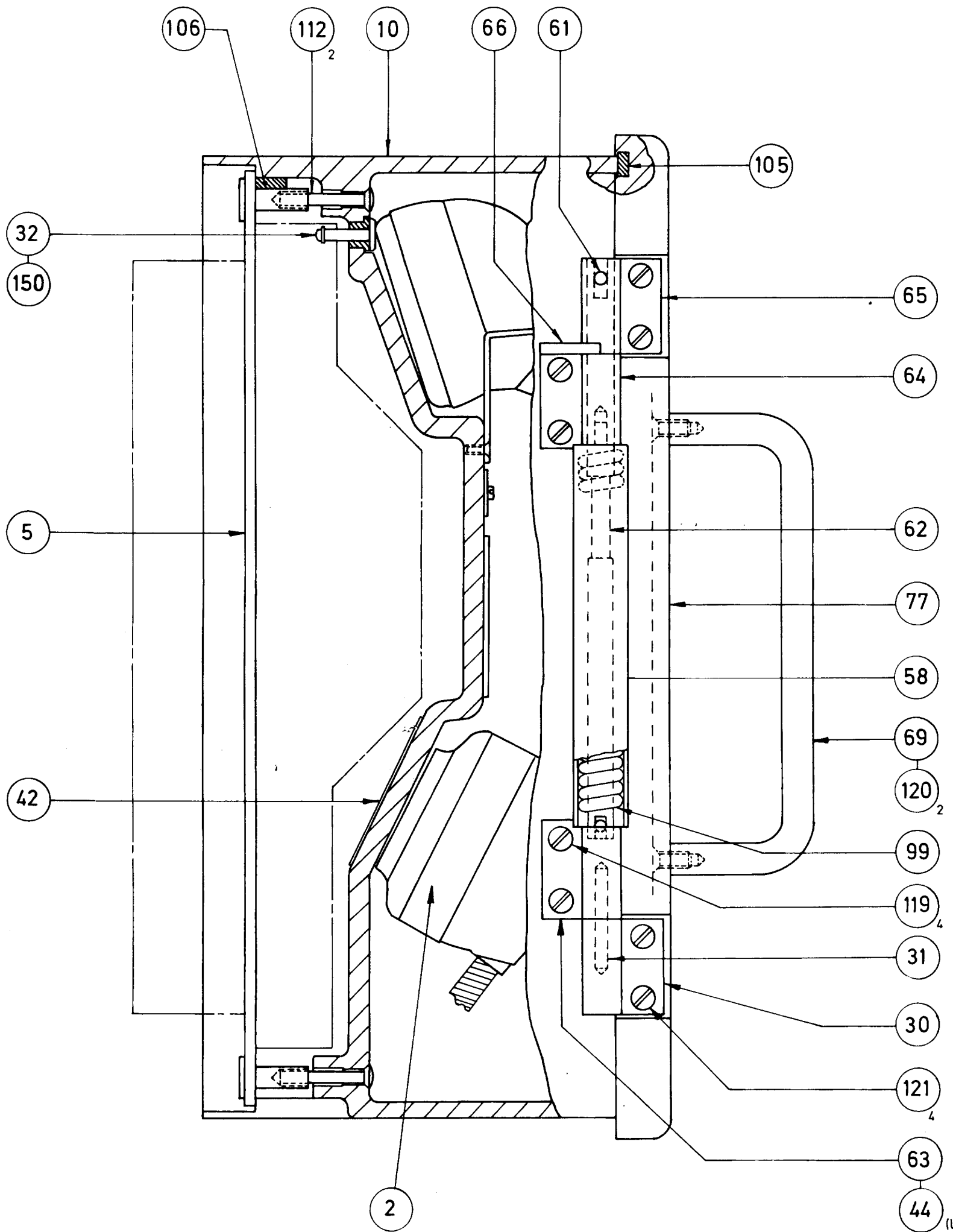
A4	DR.	ENG.	TITLE TELEPHONE WEATHERPROOF C.B. (VANDAL RESISTANT)			
	TR.	MTH.				
CH.	DRFT.					
ENG.	DEPT.					
A4				16.3.79	1	P.B.
				DATE	ISS.	SIG.
THE PLESSEY CO. LTD. TELECOM. GRP., BEESTON.			DRG. No. 617/1/02187/025	SHT. No. 2-4		

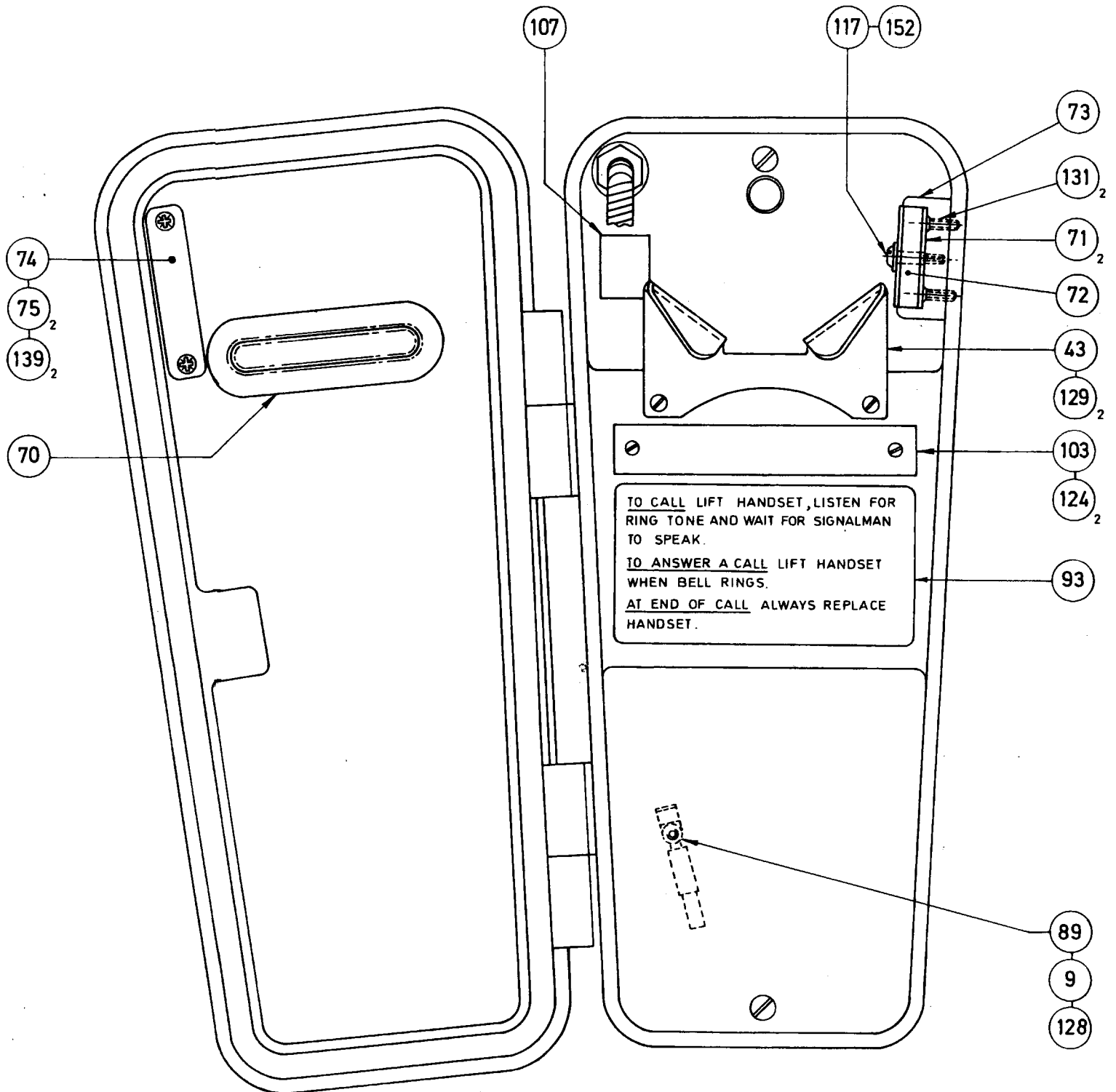
© 19 THE PLESSEY COMPANY LIMITED THIS DRAWING MUST NOT BE USED FOR ANY PURPOSE OTHER THAN THAT FOR WHICH IT IS SUPPLIED.

ITEM	DET.DRG.OR CODE	DESCRIPTION	B.P.O. CODE
2	N95218B8	Handset	
4	N99014	Ringer Coil Assy	
5	N109805	Plate with Pillars	
6	N109828	Armature, complete	
7	N109831	Hammer, Assembly	
9	N109852A	Strain, Cord	
10	N118686D	Body, machined	
10A	N109810	Bush	
15	N201230	Block Terminal	
16	617/1/01248/000	Rectifier	
20	N54193	Strap, terminal	1/SLI/2
21	N66165	Bush coil induction mtg	
22	N74666	Bracket, clip capacitor	1/DCL/107
23	N99096	Dome Ringer	
24	N109808	Bush, Hammer	
28	N109812	Pillar, Plate Mtg.	
30	N109815	Hinge, L.H.	
31	N109816	Pin, Hinge	
32	617/2/03640/000	Plunger	
38	N109824	Bracket, Cable Entry	
40	N109826	Plate, Ringer Mtg.	
41	617/2/03553/000	Bush, Cable Entry	
42	N109840	Diagram	
43	617/2/03591/000	Cradle, Bracket	
44	N109850	Plate, Hinge Packing	
46	617/5/03604/000	Switch, Assembly	

A4	DR.	ENG.	TITLE TELEPHONE WEATHERPROOF C.B. (VANDAL RESISTANT)			
	TR.	MTH.				
CH.	DRFT.					
ENG.	DEPT.					
A4				16.3.79	1	P.B.
				DATE	ISS.	SIG.
THE PLESSEY CO. LTD. TELECOM. GRP., BEESTON.				DRG. No. 617/1/02187/025	SHT. No. 1-4	

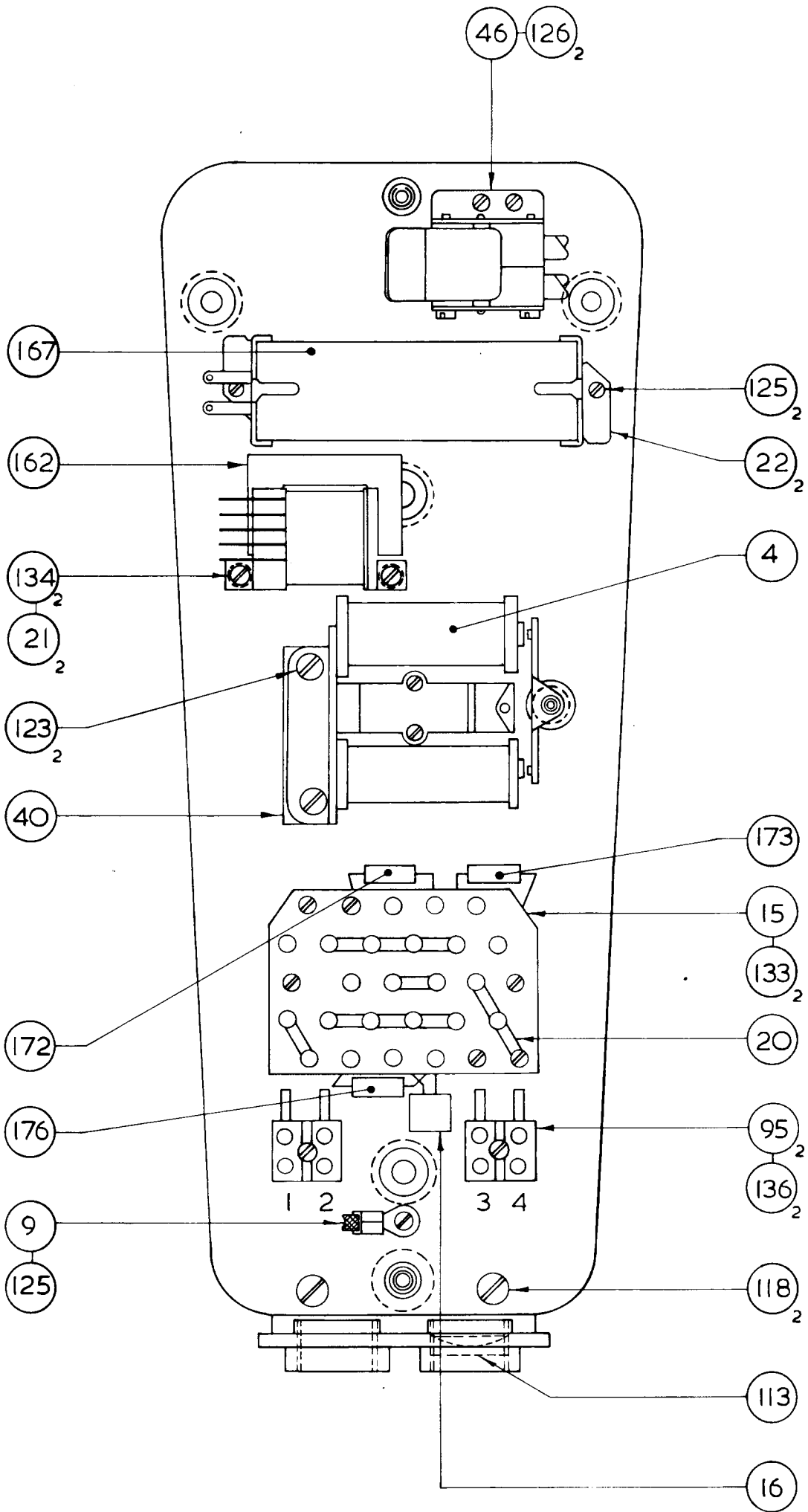
1/74

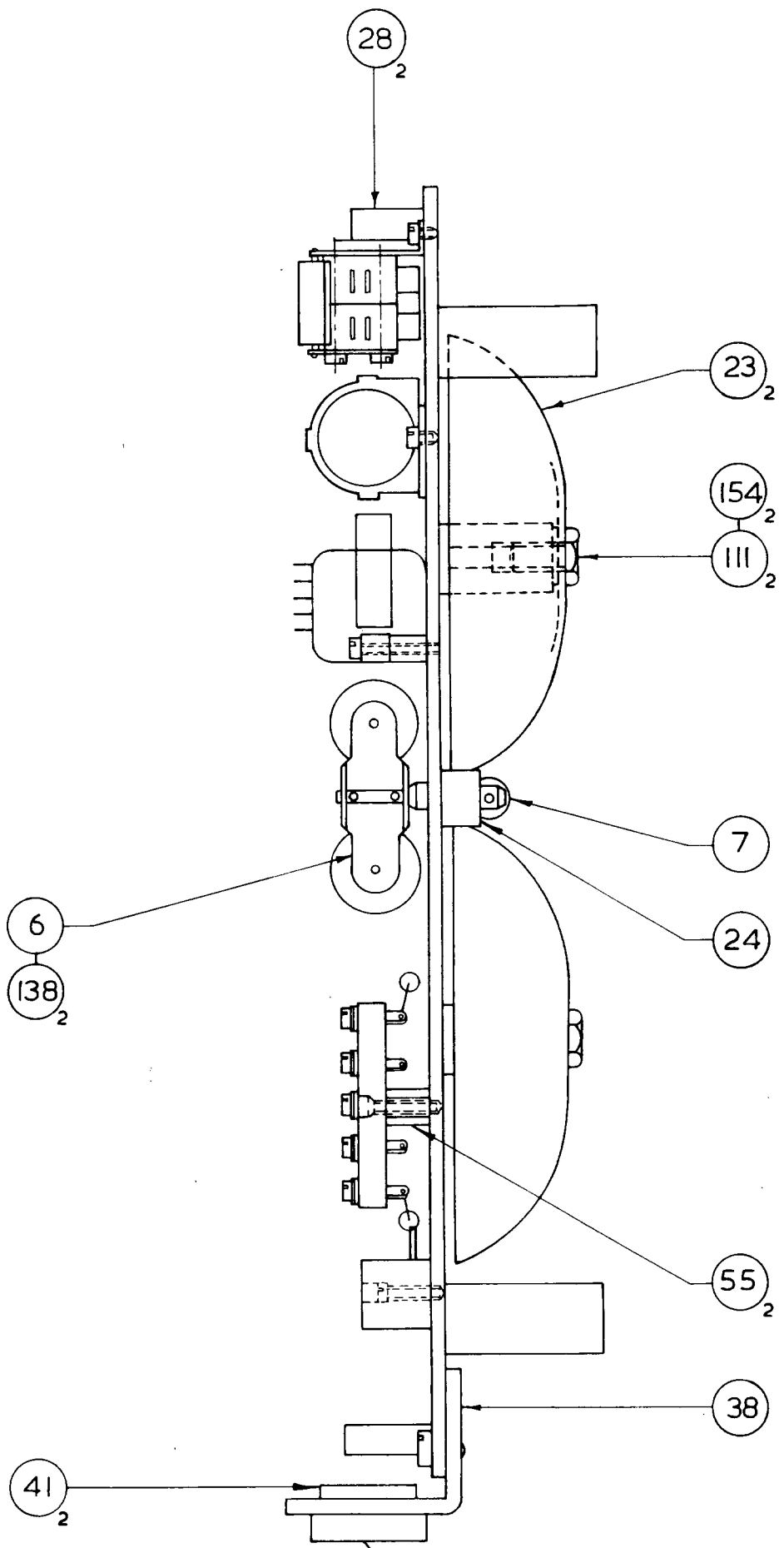




FRONT VIEW WITH H.M.T. REMOVED

FILE





GLAND THREAD CM 20.