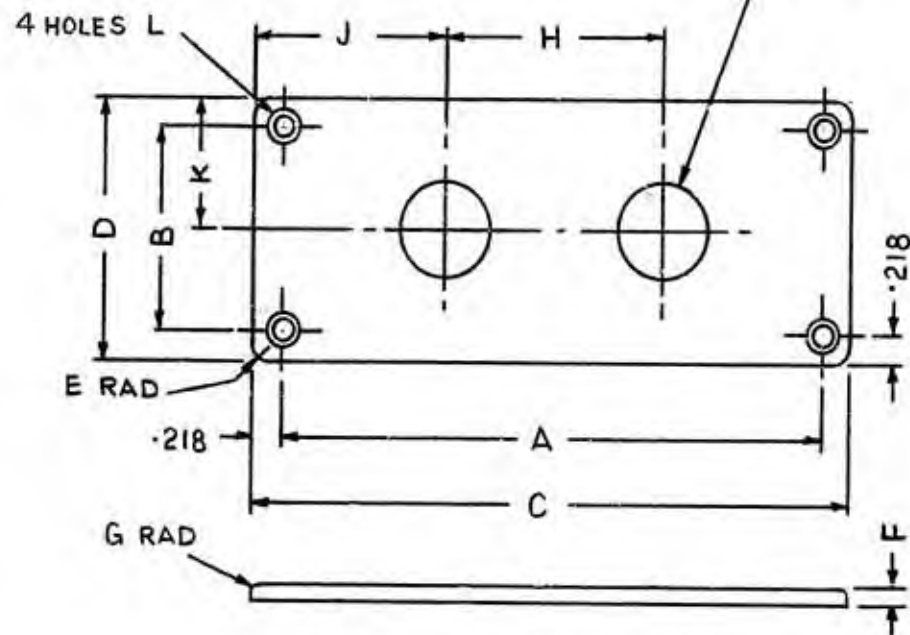
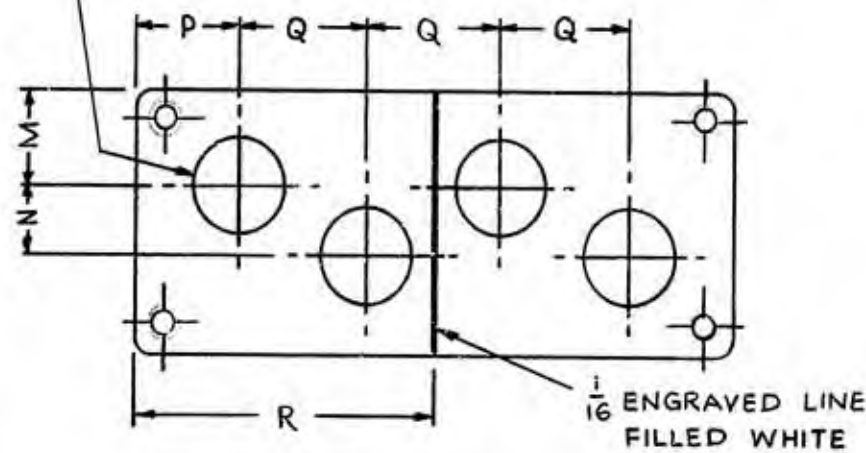


THREADED HOLES, 26 TPI, WHIT
FORM, RT HD, MIN CORE DIA .630,
O/DIA OF THREAD .682/.679



PARTS 1 & 2/DPL/695



PART 3/DPL/695
ALL OTHER PARTICULARS AS PART 2/DPL/695

PART NO.	DIMENSIONS																	MATERIAL	COLOUR	FINISH	FIRST USE
	A	B	C	D	E	F	G	H	J	K	L	M	N	P	Q	R					
1/DPL/695	3.000	1.375	3.437	1.812	.125	.128	.046	1.687	.875	-	.154 DIA & CSK FOR WD SC NO. 6							PHENOLIC RESIN, TYPE MS, SPEC BS 771 & 5116	BLACK	FRONT FACE & EDGES POLISHED FROM MOULD	-
2/DPL/695	4.187	1.437	4.625	1.875	.218	.125	.046	1.687	1.468	.937	.157 DIA							SRBP, TYPE 1 SPEC BS 1137	BLACK	CLEAN	CORDLESS SWBD NO.1
3/DPL/695											.157 DIA	.687	.500	.812	1.000	2.312		SRBP, TYPE 1 SPEC BS 1137	BLACK	CLEAN	CORDLESS SWBD NO.1

A2 A3	DRN M.C.G. CKD G.A.C.	REDRAWN. PART 3/DPL/695 ADDED (TD1.1.1) (P&S 71/159) 18-6-71 H	DIMENSIONS IN INCHES		DO NOT SCALE	
	CERTIFICATION W.S. ATHERTON A.W.H.		MATERIAL AS SHOWN	FINISH AS SHOWN	REFERENCES FILE S3200/DPL SPEC D1000 " BS 771 " BS 1137 " 5116	
E-IN-C 4652	DATE 26-5-54	SEE SUPERSEDED ISSUE FOR PREVIOUS AMENDMENTS	PART 1-.../DPL/695 (PLATE, JACK)		POST OFFICE TELECOMMUNICATIONS HQ TD11.1.4 SECTION	
		AMENDMENT	ISSUE		DPL/695	