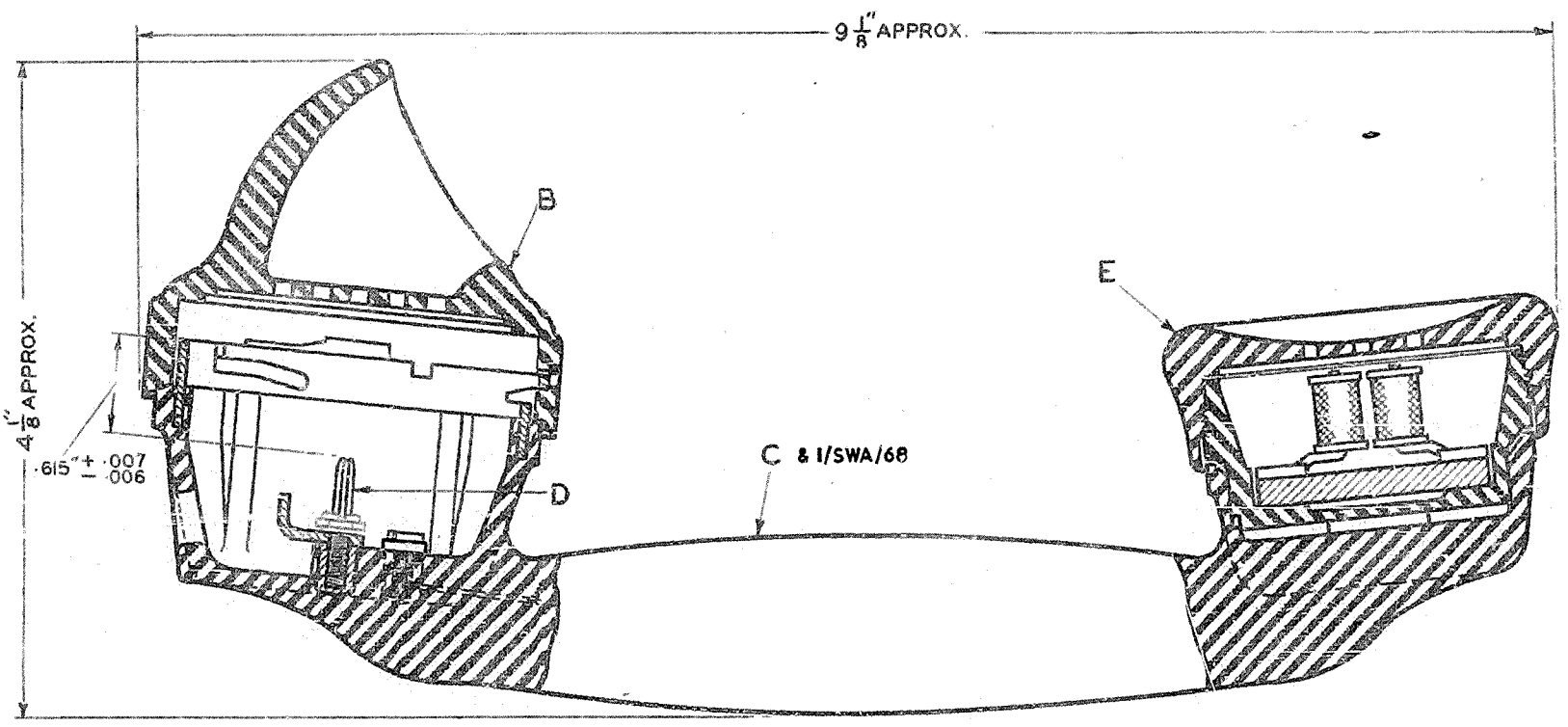
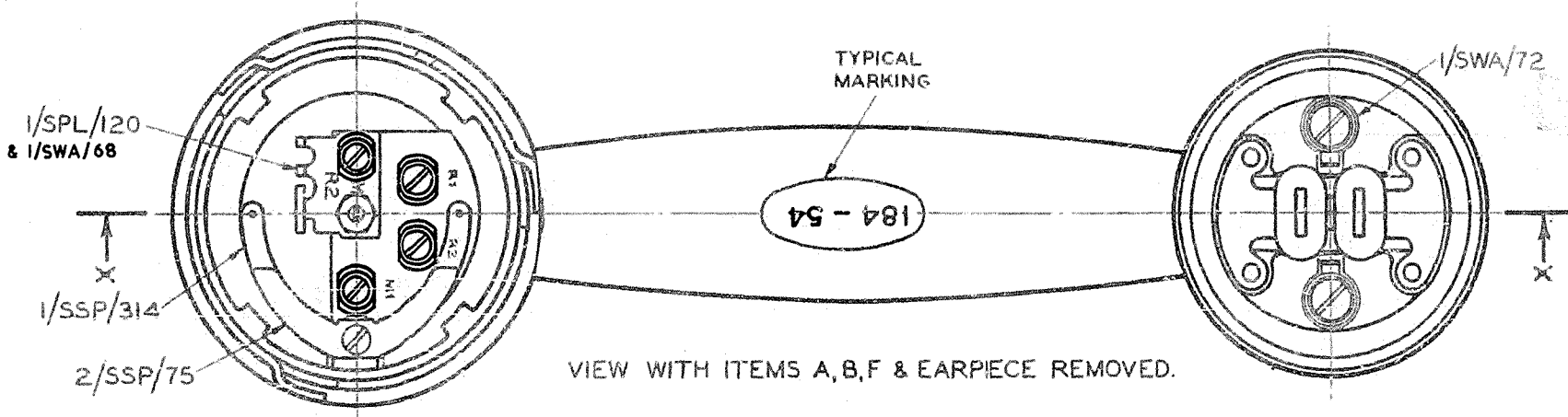


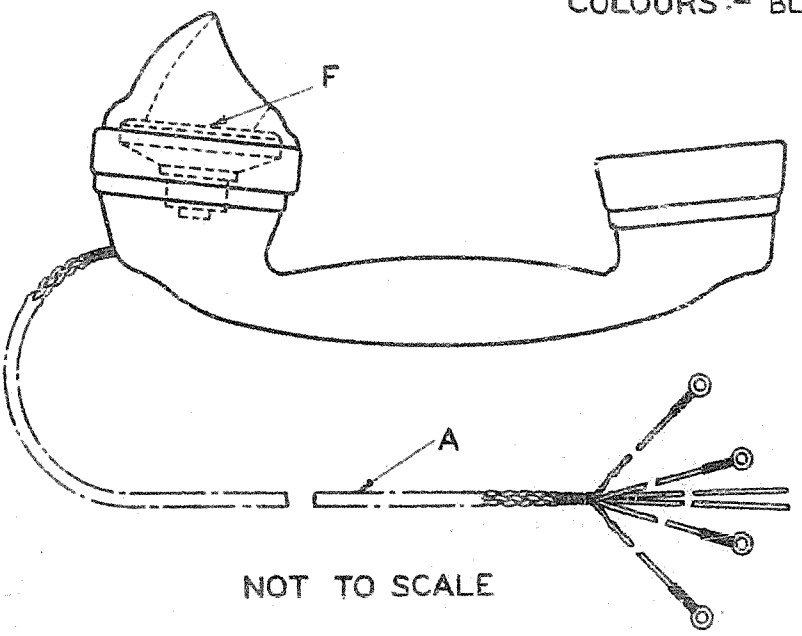
ORIGINAL SIGNED BY
JOHN R. GALL *J.R.G.*

Superseded for new work by Drg 9808/1

Amendment	Suffix
3 WASHERS 5CBM ADDED TO TRANSMITTER. OT. LWM. 2.4.41	B
REDRAWN. TITLE WAS TELEPHONE No. 184 (MK.1) TYPICAL MARKING UPDATED. NOTE 1 & COLOURS ADDED. PART 1/SWA/72 WAS SPRING WASHER No. 3BA DIM. 3/32" WAS SHOWN AS 8" <i>Ch. H. 8/10/45</i>	C
TYPICAL MARKING WAS "184 45/1" /O & SUPERSESSION NOTE ADDED. <i>Ch. H. 10-2-47</i>	D
ITEM G ADDED. UNDER ITEM D <i>H. 14.5.54</i>	E
ITEM G DELETED. WASHER, LOCKING NOW PART OF ITEM D <i>H. 14.6.54</i>	F
ITEMS C & 1/SPL/120 - WASHER 5CBM DELETED. SC. WERE CONN. HD. ITEM 1/SWA/68 ADDED. <i>Res. W. J. L. H. 11.4.61</i>	G



PART SECTION X-X WITH ITEMS A & F REMOVED.
COLOURS :- BLACK, CHINESE RED, IVORY & JADE GREEN



NOTE 1:-
ITEM "A" TO BE CORD, INST. 4/42A, BROWN, 28" FOR "TELE. No. 184 BLK. WITH CORD, INST. No. 4/42A, BROWN, 28"

ITEM	DESCRIPTION	QTY.	DRG.	SCREWS, WASHERS, ETC.		
				QTY.	DESCRIPTION	MTL. FINISH
A	CORD, INST. No. 4/42A (COL) 42" (NOTE 1)	1	62,227	-	-	-
B	MOUTHPIECE No. 15 (COLOUR)	1	62,626	-	-	-
C	PART No. 1/SBO/1 (COLOUR)	1	SBO/1	3	SC. 5BA X 3/16" CH. HD.	BR. NI. P.
D	PART No. 1/SPL/389	1	SPL/389	1	WASHER, LOCKING No. 5BA	PH. CLEAN OR BRONZE NI. P. MTL.
E	RECEIVER, INSET No. 11 (COLOUR)	1	62,390	2	SC. 3BA X 1/32" CH. HD.	BR. NI. P.
F	TRANSMITTER, INSET No. 13	1	62,808	-	-	-
1/SPL/120	-	1	SPL/120	1	SC. 5BA X 3/16" CH. HD.	BR. NI. P.
2/SSP/75	-	1	SSP/75	1	SC. 6BA X 1/8" CH. HD.	BR. NI. P.
1/SSP/314	-	1	SSP/314	-	-	-
1/SWA/72	-	2	SWA/72	-	-	-
1/SWA/68	-	4	SWA/68	-	-	-

GENERAL DISTRIBUTION

SEE SCHED.	N 284	D. 1000	S 79
------------	-------	---------	------

Drgs. Dgms. Specs.

TELEPHONES Nos.
184 (COLOUR) (MK. 1)
184 BLACK, WITH CORD, INST. No. 4/42A BROWN 28" (MK. 1)

Scale - 1/4" and as indicated
Spec. 579
Wiring Dgm. N284
Assembly Drg.

DRG. 9,808/0