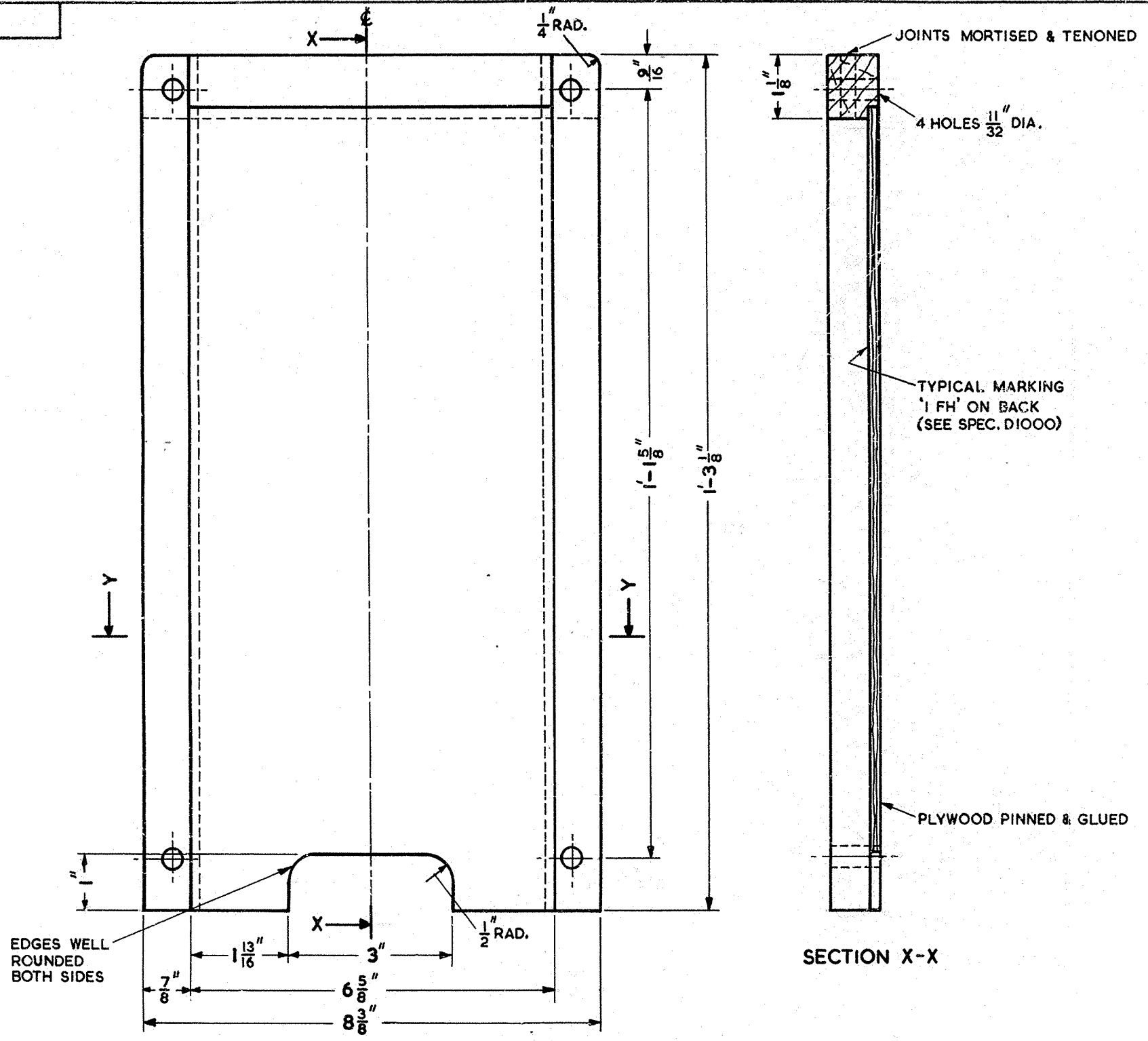
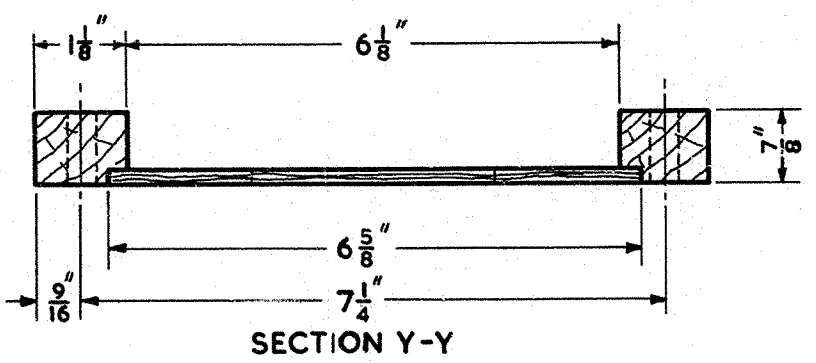


DRG. 9542



EDGES WELL ROUNDED BOTH SIDES

**MATERIAL:-**  
 FRAME:- GOOD QUALITY BIRCH  
 PANEL:- BIRCH FACED PLYWOOD, 3/16"  
**FINISH:-**  
 EXTERIOR:- SUITABLY STAINED & POLISHED  
 INTERIOR:- VARNISHED



SECTION X-X

SECTION Y-Y

POST OFFICE ENGINEERING DEPT E-IN-C'S OFFICE S BRANCH	
DISTRIBUTION RESTRICTED	
REFERENCES	
	SPEC D1000
ASSEMBLY DRG.	WIRING DGM
FILE	SPEC --
SCALE :- 1/2 AND AS INDICATED	THIRD ANGLE PROJECTION
DECIMAL DIMENSIONS NOT TOLERANCED SUBJECT TO	
APP'D. IN S1/3 SECTION	DRN TCD H.C.A
C.N. J.R.GALL	CKD H.T.
	DATE 30.4.31
AMENDMENT	SUFFIX
AMENDED TO INCLUDE BOX C.C. No 16 A E.A.C H.T. J.C.S 31.3.32.	A
REDRAWN. TITLE WAS:-'BACKBOARD FOR BOXES, COIN COLLECTING, No 14 A & 16 A.' SCHEDULE DELETED, UPDATED. m.e.J. J.B. 5.11.56.	B
FOR SUPERSED	
BACKBOARD No.1 FOR BOXES, COIN COLLECTING Nos. 14E & 16C COMPLETE	
DRG. 9542	

TRIM TO THESE LINES 13"x16"

N.C.147  
S/D.O.