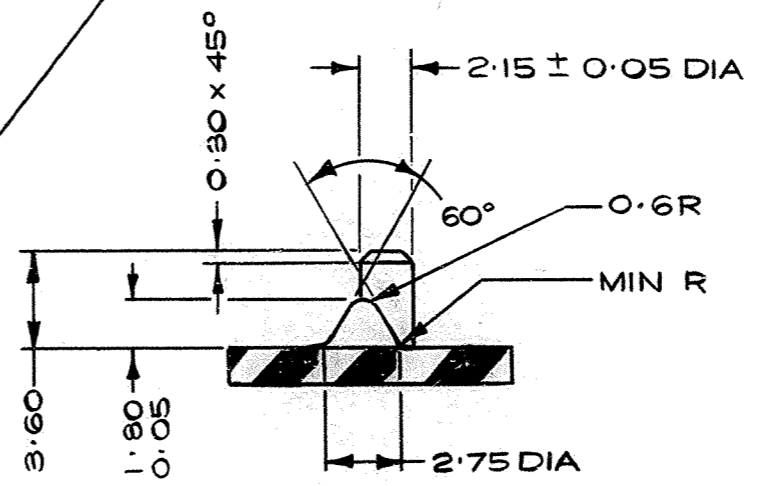


4mm WHITE SYMBOL HOT FOIL PRINTED.

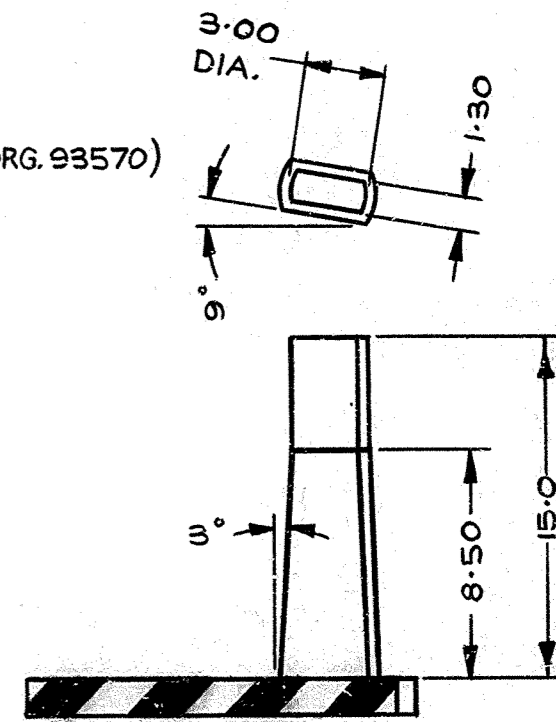
PART VIEW LOOKING IN DIRECTION OF ARROW X.

SCHEDULE				
REF	DESCRIPTION	MATERIAL	FINISH	No OFF
A	1/93647	STEEL WIRE TO BS2803 (PRE-TINNED) 0.46mm.	CLEAN	1
B	2/93647	ACETAL MOULDING MTL COLOUR BLACK (CODE No.10) SPECS. S 659 & M119.	CLEAN	1

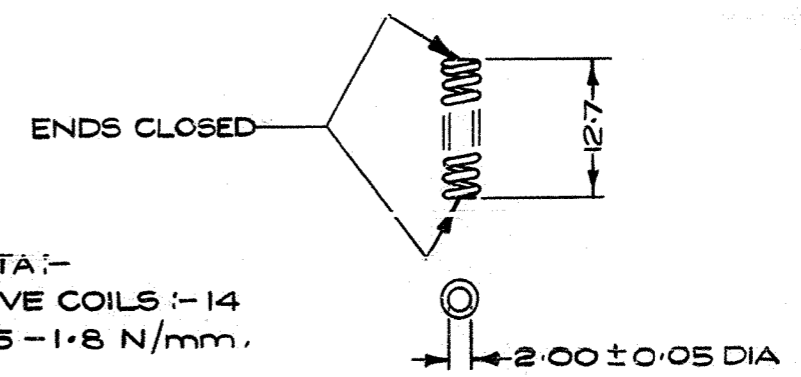
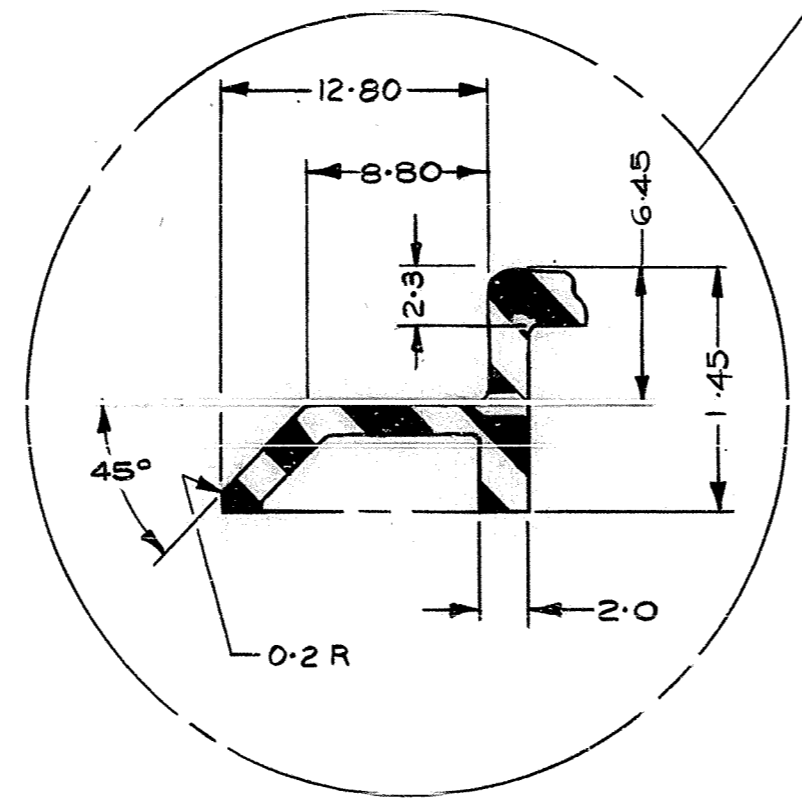
SIMILAR TO LEVER ASSEMBLY D93570 (DRG. 93570)



PART SECTION Y-Y



PART SECTION Z-Z



SPRING DATA:-
No. OF ACTIVE COILS :- 14
RATE :- 2.5 - 1.8 N/mm.

1/93647

IDENTICAL TO DETAIL 1/93570 (DRG. 93570)

- NOTES:-
1. MATERIAL THICKNESS 1.35 ± 0.1 mm UNLESS OTHERWISE STATED.
 2. DRAFT ANGLES 1° MAX. UNLESS OTHERWISE STATED.
 3. ALL RADII 0.5mm MAX. UNLESS OTHERWISE STATED.

FIRST USE:- VOLUME CONTROL FOR BELL No. 79A WHEN USED WITH TELEPHONE No. 776 (DRG. 93447).

DIMENSIONS IN MILLIMETRES

© THE POST OFFICE 1976

DO NOT SCALE

ORIGINAL SCALE 2:1 & 5:1

DRN	J.T.
CKD	<i>[Signature]</i>
CERTIFICATION	<i>[Signature]</i>
DATE	28-6-76

MAT'L THICKNESS INCREASED TO 2.3 AT FOOT END. PICTORIALLY AMENDED 3-8-79	
CUT-OUT 3.5mm ADDED 14.11.77	
AMENDMENT	

TOLERANCES UNLESS OTHERWISE STATED:- DIMS TO 1 DEC PLACE ±0.2mm DIMS TO 2 DEC PLACES ±0.1mm & TOLERANCE ZONE ±0.05mm ANGLES ±1°	
MATERIAL SEE SCHEDULE	
FINISH SEE SCHEDULE	
LEVER ASSEMBLY D93647 (ASSEMBLY & DETS. 1/82/93647)	
POST OFFICE TELECOMMUNICATIONS HEADQUARTERS TD7 1 1	

REFERENCES:- SPEC. D1000, DRGS. 93570, 93447, SEE SCHED. ALL THREADED FASTENERS AND TAPPED HOLES, UNLESS OTHERWISE STATED TO BE ISO METRIC COARSE PITCH SERIES (MEDIUM FIT) TO SPEC BS 3643	
93647	