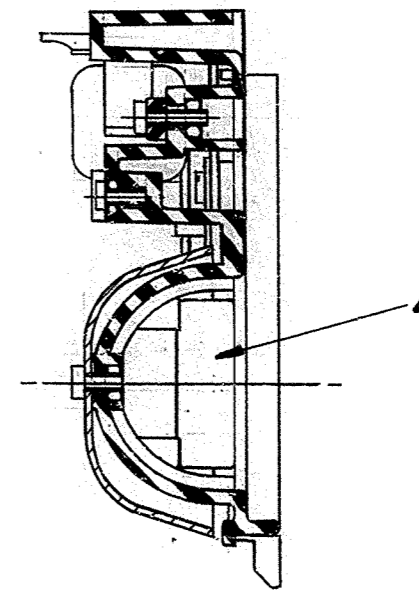
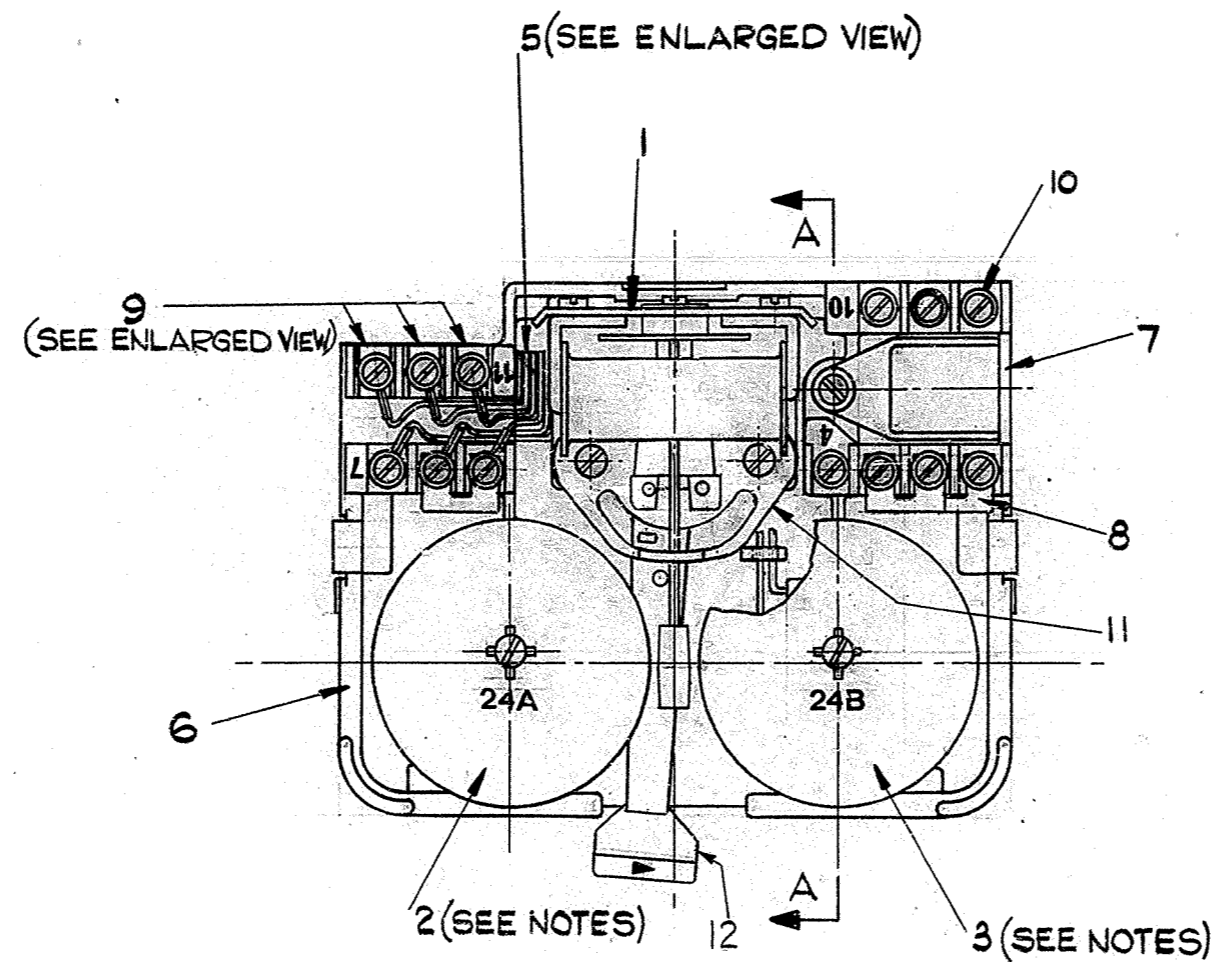
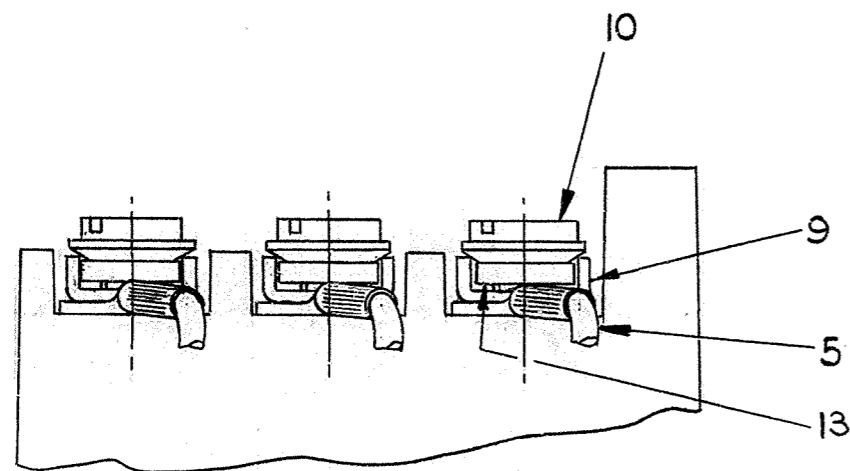


ENLARGED VIEW SHOWING RUNNING ASSEMBLY OF ITEM 5



SECTION A-A



ENLARGED VIEW SHOWING MOUNTING OF ITEMS 5, 9, 10 & 13

NOTES :-

1. ITEMS 2 & 3 ARE TO BE ASSEMBLED WITH MARKING IN LOWER ARC OF 180° AS SHOWN
2. WASHER M3-5 TO BE FITTED BETWEEN GONG & ITEM 6.

FIRST USE :- BELL UNIT No 776 (DRG 93448)

DIMENSIONS IN MILLIMETRES

©THE POST OFFICE 1974

DO NOT SCALE

ORIGINAL SCALE

DRN DCA	CKD M TAYLOR
A1	CERTIFICATION
A2	<i>S. P. Ireland</i>
R 701	DATE 3 1.75

NOTE 2 & ITEM 13 ADDED.	
ITEM 9 PICTORIALLY AMENDED.	B
<i>RD &amp; Th</i> 1.6.76	
PICTORIALLY AMENDED TO ADDITION OF ITEMS 11 & 12.	A
<i>Th</i> 17.9.76	
AMENDMENT	ISSUE

MATERIAL	FINISH
BELL ASSEMBLY D93449 (ASSEMBLY)	
POST OFFICE TELECOMMUNICATIONS HEADQUARTERS T.D.741	

REFERENCES SPEC.D1000	SEE SCHEDULE
ALL THREADED FASTENERS AND TAPPED HOLES, UNLESS OTHERWISE STATED TO BE ISO METRIC COARSE PITCH SERIES (MEDIUM FIT) TO SPEC BS 3643	
93449 SHT 1-2	