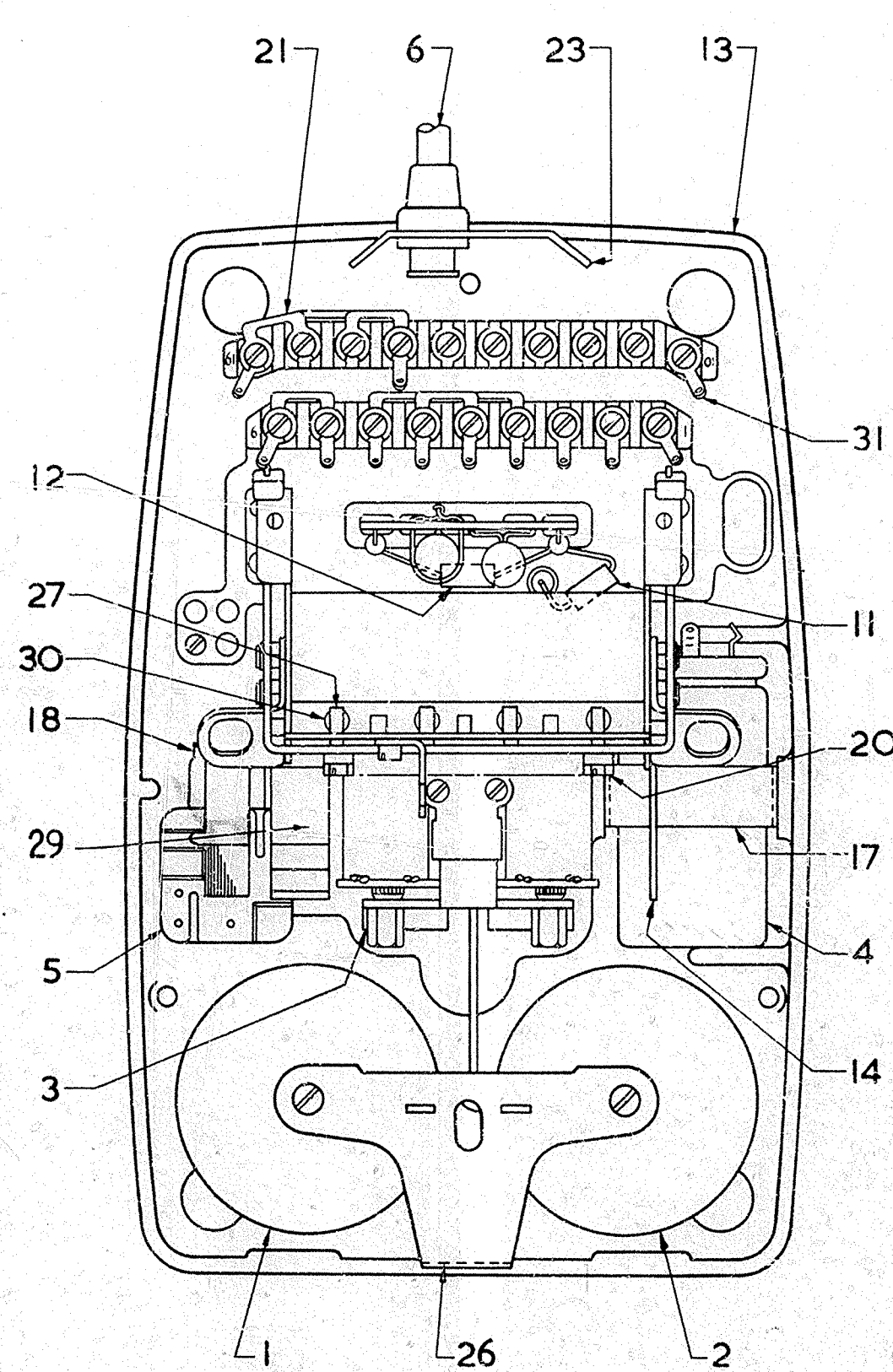
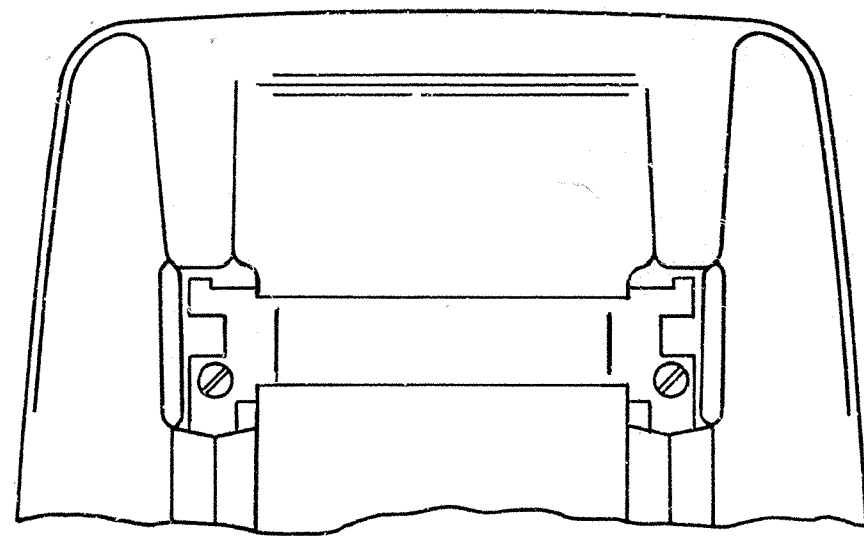
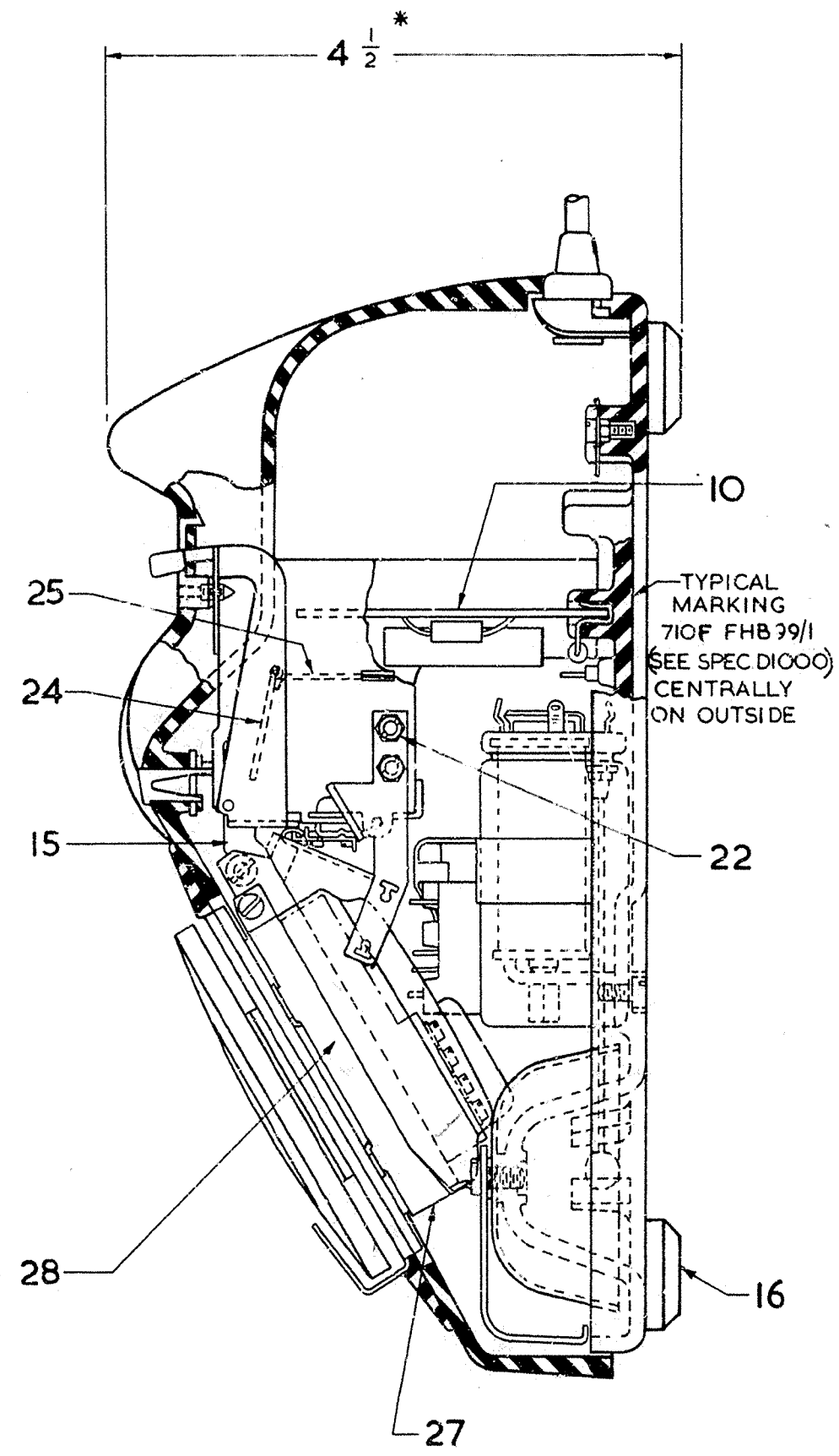
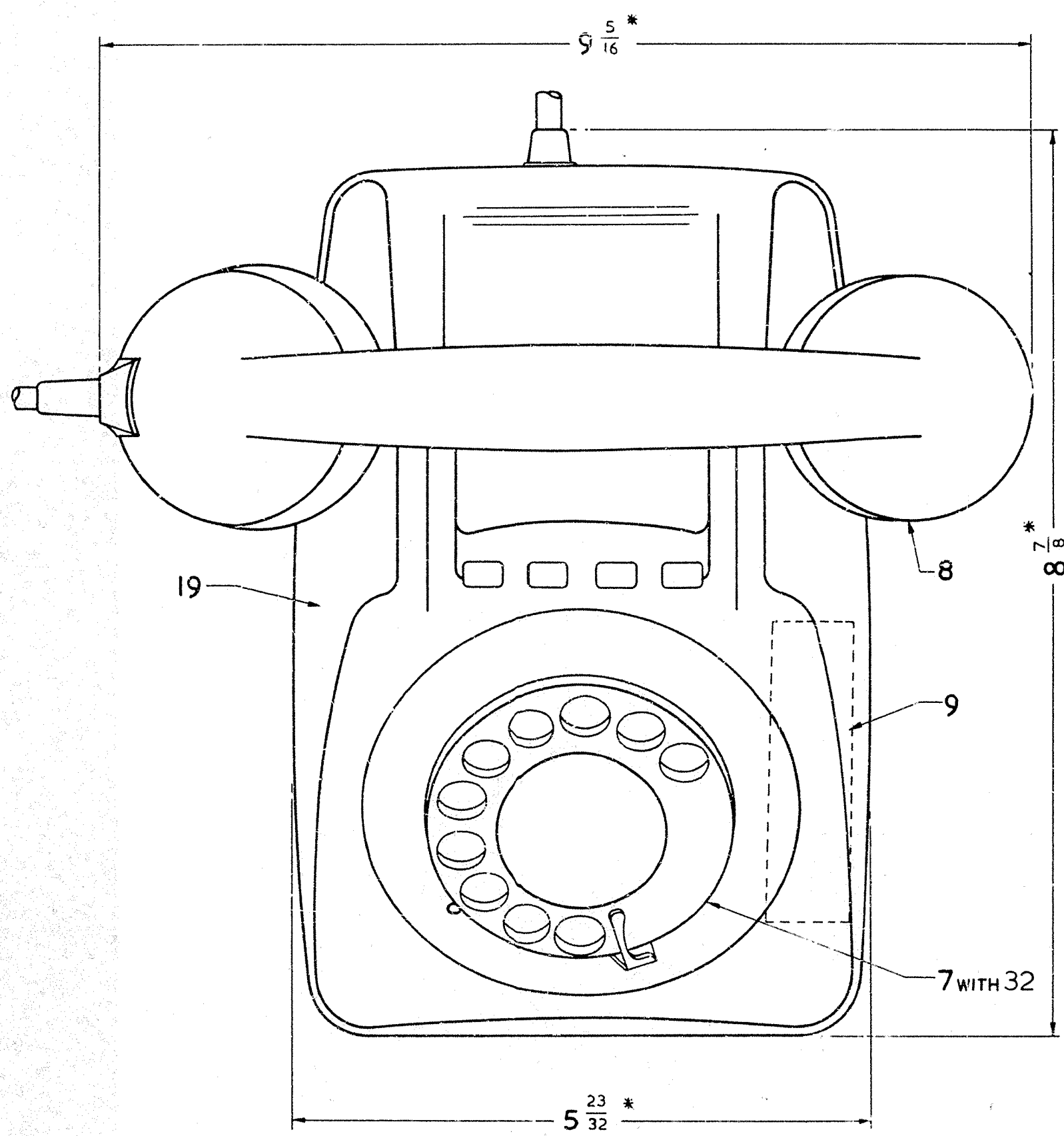


| | |
|--|--|
| POST OFFICE TELECOMMUNICATIONS HEADQUARTERS | |
| DISTRIBUTION GENERAL | |
| REFERENCES | |
| SEE SCHED | SPEC. D1000 SPEC. 5753 |
| ASSEMBLY DRG | WIRING DGM NB10 |
| FILE 3500/710 | SPEC |
| SCALE - 1 AND AS INDICATED | THIRD ANGLE PROJECTION |
| DECIMAL DIMENSIONS NOT TOLERANCED SUBJECT TO | |
| ADD INTERSECTION | DRN PHOTOCOPIED TCD CKD DATE 1 5 69 |
| AMENDMENT | SUFFIX |



VIEW WITH ITEMS 7, 8, 19 & 28 REMOVED.



PART SECTION THROUGH ITEMS 13 & 19

| SCHEDULE | | | | | | | |
|----------|--|----------|--------|--|------|-----------------------------|--------------|
| ITEM | DESCRIPTION | DRG | Nº OFF | SCREWS ETC | MTL. | FINISH | Nº OFF |
| 1 | Ø BELL-GONG Nº 24A | 91846 | 1 | SC 4BA x 3/4 CH HD | MS | Zn P PASSIVATED OR Zn P LAC | 1 |
| 2 | Ø BELL-GONG Nº 24B | 91846 | 1 | SC 4BA x 3/4 CH HD | MS | Zn P PASSIVATED OR Zn P LAC | 1 |
| 3 | Ø BELL Nº 59A - 1 UNMOUNTED | 9874 | 1 | SC 4BA x 3/4 CH HD | MS | Zn P PASSIVATED OR Zn P LAC | 2 |
| 4 | Ø CAPACITOR, PAPER Nº 7719 | CD1421 | 1 | | | | |
| 5 | Ø COIL, INDUCTION Nº 31 | 91271 | 1 | | | | |
| 6 | Ø COVER, DIAL (COLOUR) | 71152 | 1 | | | | |
| 7 | Ø DIAL, AUTOMATIC Nº 21FA, CLEAR | 92526 | 1 | | | | |
| 8 | Ø HANDEY Nº 3 (COLOUR) | 71152 | 1 | | | | |
| 9 | LABEL, DIAGRAM NB10 | 56M NB10 | 1 | | | | |
| 10 | Ø REGULATOR Nº 1 | 91270 | 1 | | | | |
| 11 | Ø RESISTOR, CARBON Nº 26 GC 39 ^A | CD1387 | 1 | | | | |
| 12 | Ø RESISTOR, CARBON Nº 26 GC 150 ^A | CD1387 | 1 | | | | |
| 13 | Ø PART 1/DBA/107 (BASE, TELE. COMPLETE) | DBA/107 | 1 | SC 8BA x 3/4 CH HD WASHER 8BA SMALL SC 6BA x 1/2 CH HD | BR | NI P MT | 1 1 19 |
| 14 | Ø PART 2/DBR/373 (BRACKET, LAMP) | DBR/373 | 1 | | | | |
| 15 | Ø PART 1/DBR/379 (BRACKET, DIAL MOUNTING) | DBR/379 | 1 | SC 6BA x 3/4 CH HD | | | |
| 16 | Ø PART 2/DBU/259 (BUTTON) | DBU/259 | 4 | | | | |
| 17 | Ø PART 1/DCL/135 (CLIP CAPACITOR) | DCL/135 | 1 | | | | |
| 18 | Ø PART 2/DCL/136 (CLIP COIL INDUCTION) | DCL/136 | 1 | | | | |
| 19 | Ø PART 1/DCO/735 (COLOUR) (COVER TELE AUTO COMPLETE) | DCO/735 | 1 | | | | |
| 20 | Ø PART 1/DLA/61 (LATCH PLATE, ASSEMBLY) | DLA/61 | 1 | | | | |
| 21 | Ø PART 1/DLI/19 (LINK) | DLI/19 | 7 | | | | |
| 22 | Ø PART 1/DNJ/87 (NUT, HEX SLOTTED) | DNJ/87 | 4 | | | | |
| 23 | Ø PART 1/DPL/733 (PLATE, CLAMPING SLEEVE CORD) | DPL/733 | 1 | | | | |
| 24 | Ø PART 1/DPL/2055 (PLATE, COVER) | DPL/2055 | 1 | | | | |
| 25 | Ø PART 1/DPL/2056 (PLATE, COVER) | DPL/2056 | 1 | | | | |
| 26 | Ø PART 1/DPL/789 (PLATE, METAL) | DPL/789 | 1 | | | | |
| 27 | Ø PART 1/DPL/380 (PLUNGER) | DPL/380 | 4 | | | | |
| 28 | Ø PART 2/DRI/51 (RING, CLAMPING DIAL) | DRI/51 | 1 | SC 4BA x 1/2 CH HD SC 4BA x 3/4 CH HD | MS | Zn P PASSIVATED OR Zn P LAC | 1 1 |
| 29 | Ø PART 1/OSP/267 (SPRING SET, ASSEMBLY) | OSP/267 | 1 | | | | |
| 30 | Ø PART 1/OSP/1500 (SPRING PLUNGER) | OSP/1500 | 4 | | | | |
| 31 | Ø PART 1/STA/71 (TAG) | STA/71 | 1 | | | | |
| 32 | Ø PART 1/DCO/631 (COVER, DIAL, AUTO) | DCO/631 | 1 | | | | |

COLOURS - BLACK, IVORY & GREY

TELEPHONE
Nº 710F (COLOUR)
(MARK I)
ASSEMBLY