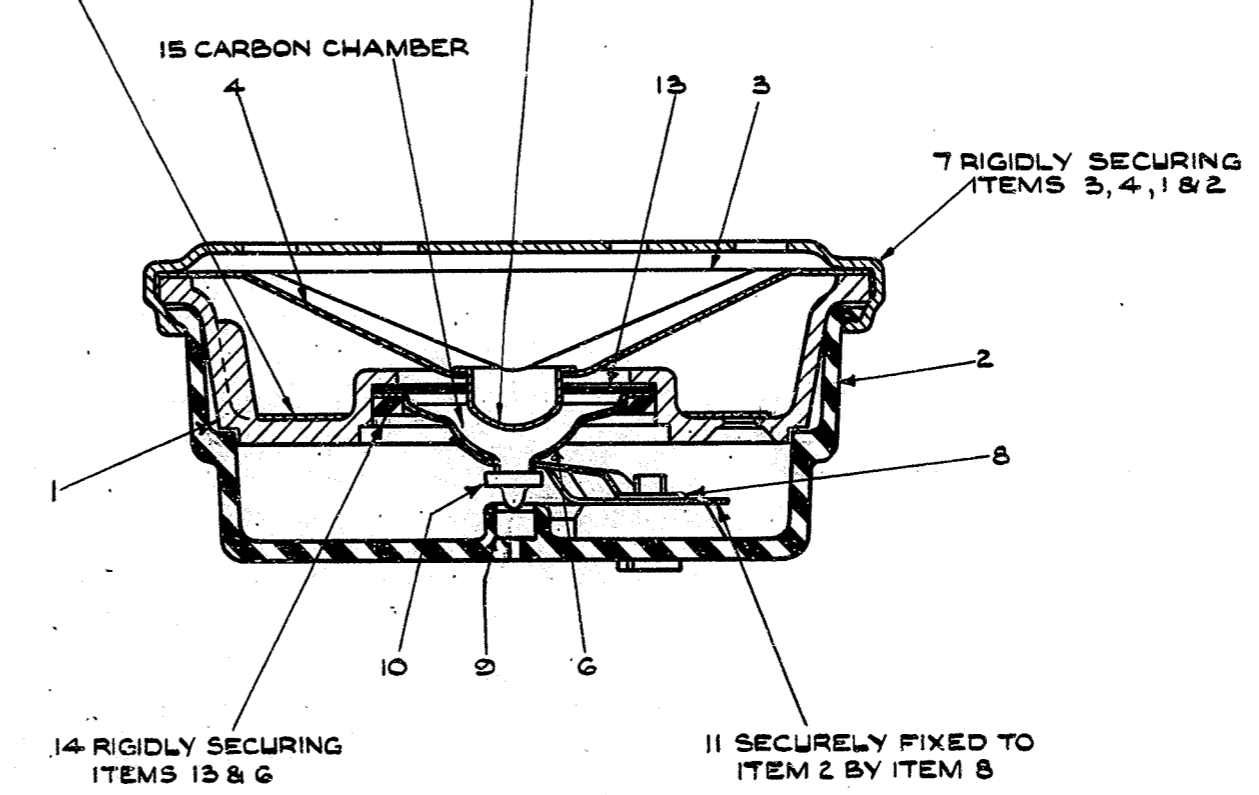


FOR ALTERNATIVE DESIGNS SEE MARK 1, SHEET 1.

DIMENSIONS IN INCHES

12 SECURELY FIXED TO ITEM 1 5 SECURELY FIXED TO ITEM 4



SECTION A-A

DO NOT SCALE
(A MICROFILM PROCESS PRINT)

* FOR REFERENCE ONLY

SCHEDULE							
ITEM	DESCRIPTION	DRG.	No OFF	SCREWS ETC.	MTL.	FINISH	No OFF
1	PART 1 / DBO / 85 (BODY)	DBO / 85	1				
2	PART 1 / DCO / 689 (COVER)	DCO / 689	1				
3	PART 2 / DCO / 690 (COVER DIAPHRAGM)	DCO / 690	1				
4	PART 1 / DDI / 57 (DIAPHRAGM)	DDI / 57	1				
5	PART 1 / DEL / 5 (ELECTRODE)	DEL / 5	1				
6	PART 1 / DEL / 6 (ELECTRODE)	DEL / 6	1				
7	PART 1 / DGU / 78 (GUARD)	DGU / 78	1				
8	PART 1 / DNU / 132 (NUT 6BA SPECIAL)	DNU / 132	2	SC. 6 BAX $\frac{1}{32}$ CH. HD.	BR.	NI. P. MT.	2
9	PART 1 / DPL / 403 (PLUG)	DPL / 403	1				
10	PART 2 / DPL / 404 (PLUG)	DPL / 404	1				
11	PART 2 / DSP / 2056 (SPRING CONTACT)	DSP / 2056	2				
12	PART 1 / DWA / 27 (WASHER)	DWA / 27	1				
13	PART 2 / DWA / 27 (WASHER)	DWA / 27	3				
14	PART 18 / DWA / 22 (WASHER)	DWA / 22	1				
15	CARBON GRANULES (SEE SPEC.)	-	-				

POST OFFICE TELECOMMUNICATIONS HEADQUARTERS

DISTRIBUTION GENERAL

REFERENCES

SEE SCHED. SPEC. D1000 SPEC. 5814

ASSEMBLY DRG. WIRING DGM

FILE B.T.T.D.C. SPEC. 5814

SCALE: $\frac{2}{1}$ AND AS INDICATED THIRD ANGLE PROJECTION

DECIMAL DIMENSIONS NOT TOLERANCED SUBJECT TO -

APP'D. IN PDI. 12 SECTION DRN } S.T.C. TCD. CKD CONTR. DATE 21.4.66

AMENDMENT SUFEX

SHEET 3 DELETED. REFERENCE TO MARK 3 DELETED. PART 2 / DPL / 404 ADDED TO ITEM 10. JSS. 19.2.69.

SHEET 3 CANCELLATION NOTE ADDED SUPERSESSION NOTE ADDED KS. PBN. 5.3.81

FOR SUPERSEDING DRG SEE 92220 SHEET 4 (MARK 4 VERSION)

TRANSMITTER INSET
No. 16
(MARK 2)
ASSEMBLY