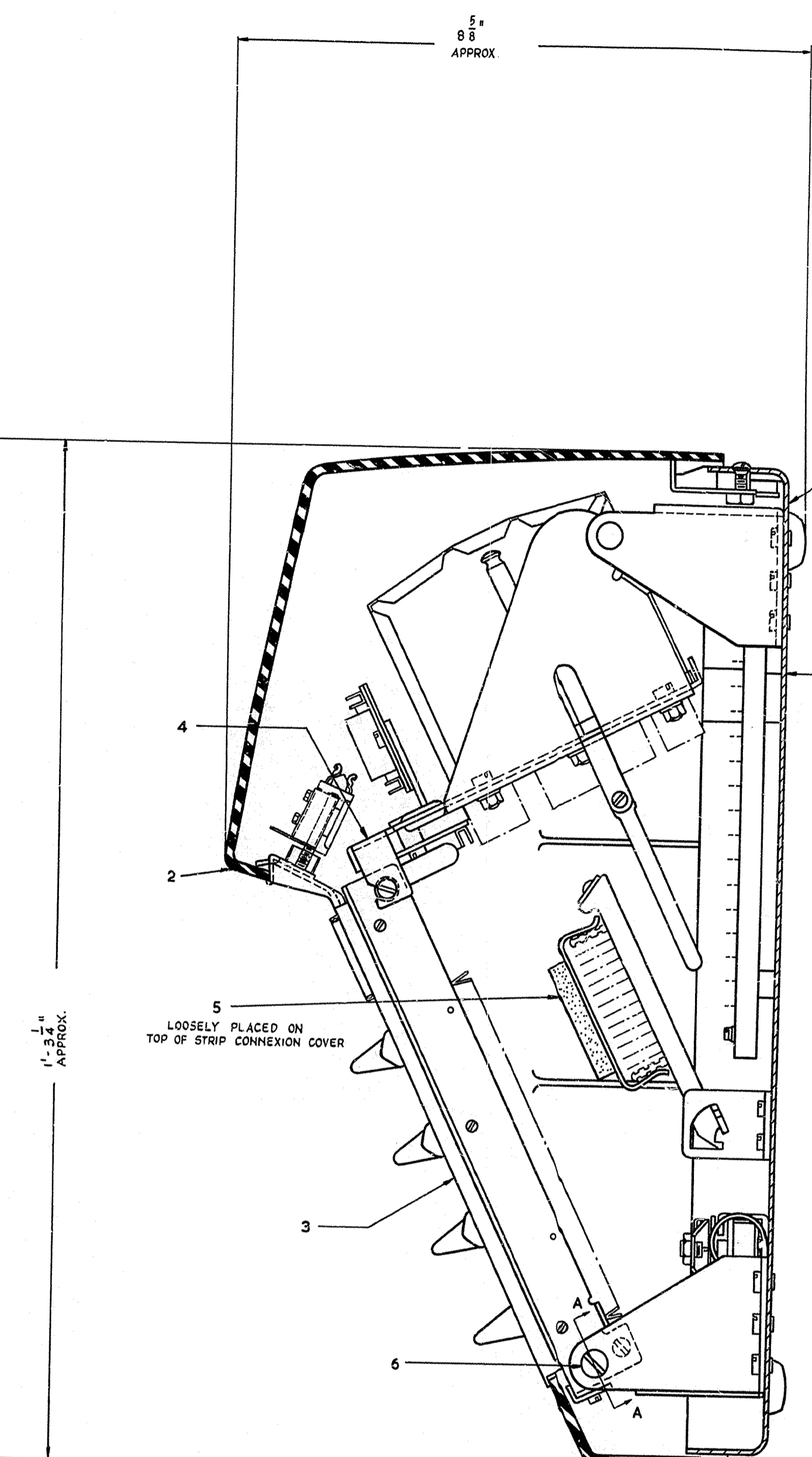
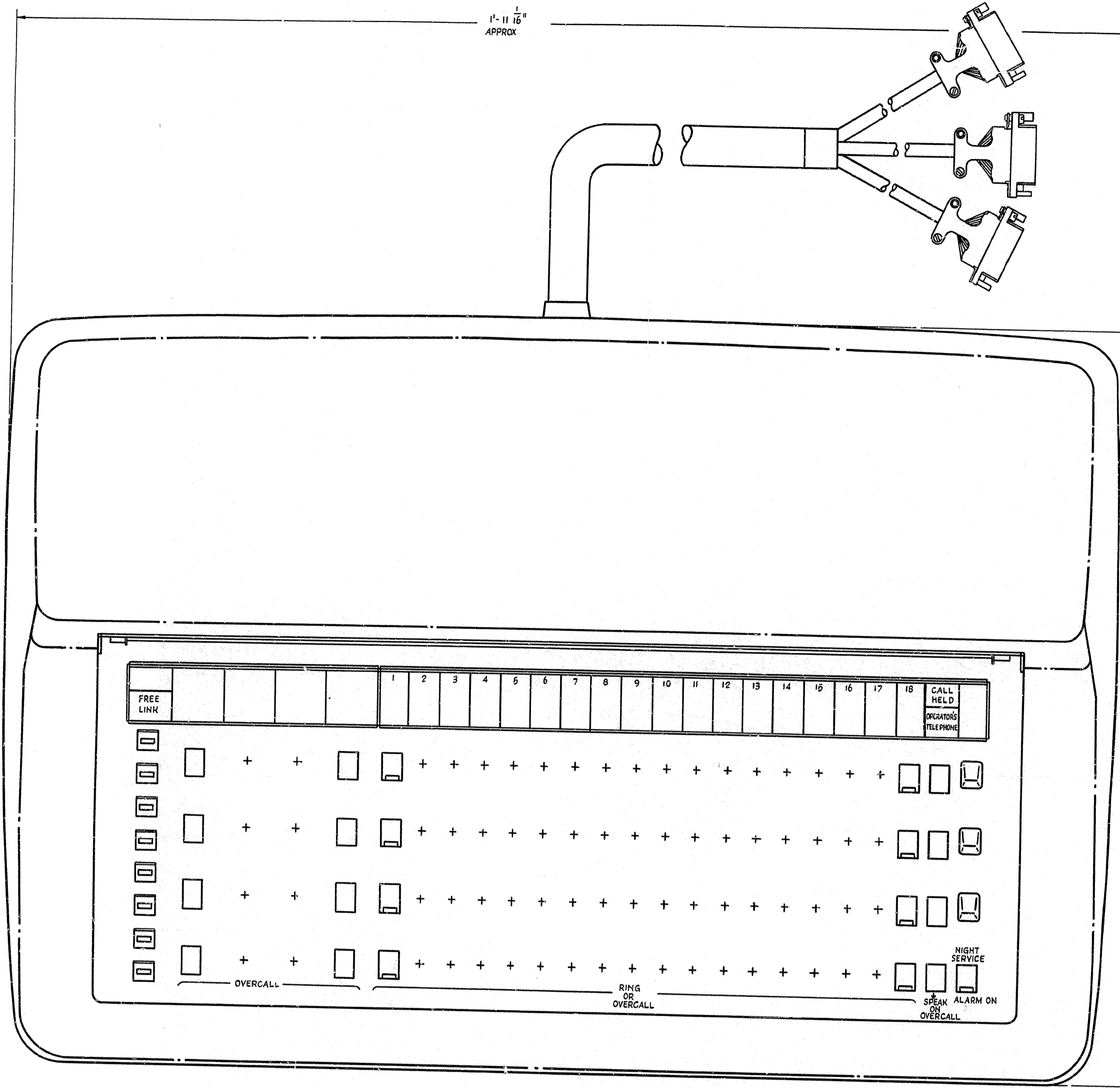
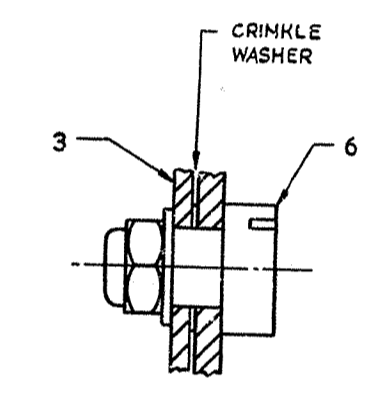


POST OFFICE ENGINEERING DEPT		S	
DISTRIBUTION		BRANCH	
GENERAL			
REFERENCES			
SEE SCHEDULE		SPEC. D1000	
		S702	
ASSEMBLY DRG.		WIRING DRG.	
		SAW 71650	
FILE	B.T.T.D.C.	SPEC. S702	
SCALE: 3/4 AND AS INDICATED	THIRD ANGLE PROJECTION		
DECIMAL DIMENSIONS NOT TOLERANCED SUBJECT TO			
APP'D IN 53 SECTION	DRN. } E.T. LTD.		
	TCD. } E.T. LTD.		
	CKD. CONTRAS E		
	DATE: 14-11-63		
AMENDMENT		SUFFIX	
70 AND SUPERSESSION NOTE		A	
ADDED	15-4-65		



MARKING: SWITCHBOARD P.M.B.X. 2/4A
DGM. SAW 71650 ISSUE 1
(SEE SPEC. D1000)

TYPICAL MARKING: FHB 99/1
(SEE SPEC. D1000)

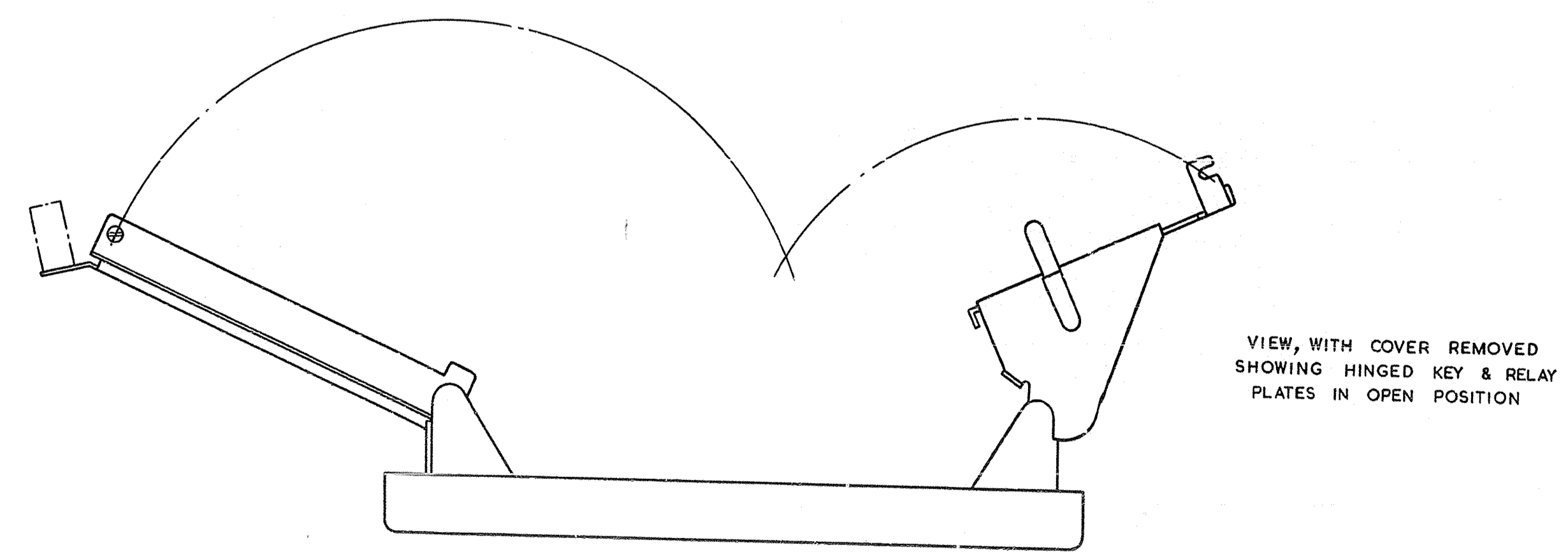


SECTION A-A
SCALE: 2/1

1/2" APPROX

5/8" APPROX

VIEW WITH COVER & BASE
IN SECTION



VIEW, WITH COVER REMOVED
SHOWING HINGED KEY & RELAY
PLATES IN OPEN POSITION

SCHEDULE						
ITEM	DESCRIPTION	DRG.	QTY	SCREWS, ETC.	MTL. FINISH	NP OFF
1	BASE PLATE SUB-ASSEMBLY & COMPONENT SCHEDULE (COLOUR)	91891	1			
2	COVER SWITCHBOARD NO 2 (COLOUR)	91824	1			
3	KEY PLATE SUB-ASSEMBLY & COMPONENT SCHEDULE	91893	1	SC. 2BA x 1/8" CH. HD.	M.S. Zn.P&Loc OR Zn.P&Pass	2
4	RELAY PLATE SUB-ASSEMBLY & COMPONENT SCHEDULE	91892	1	SC. 2BA x 3/8" CH. HD. WASHER, 2BA SMALL NUT, 2BA HEX. ORD.	M.S. Zn.P&Loc OR Zn.P&Pass	4
5	FOAM RUBBER PAD 12" x 2" x 1/4"		1			
6	PART 1/DSC/467 (SCREW, 2BA) SPECIAL	DSC/467	2	NUT, SELF LOCKING SHIMONDS NYLOC TYPE, NP/8022 (OR EQUIV.) WASHER, THOMAS HADDON & STOKES LTD, BIRMINGHAM, TYPE BERYLIUM COPPER CRINKLE WASHER 2 BSF (OR EQUIV.) WASHER, 2BA SMALL	M.S. Zn.P&Loc OR Zn.P&Pass	2

Ø REPLACEABLE ITEM

FOR SUPERSEDING ITEM FOR NEW WORK
SEE DRAWING 91838/1

SWITCHBOARD
P.M.B.X. NO 2/4A
(MARK 1)
ASSEMBLY