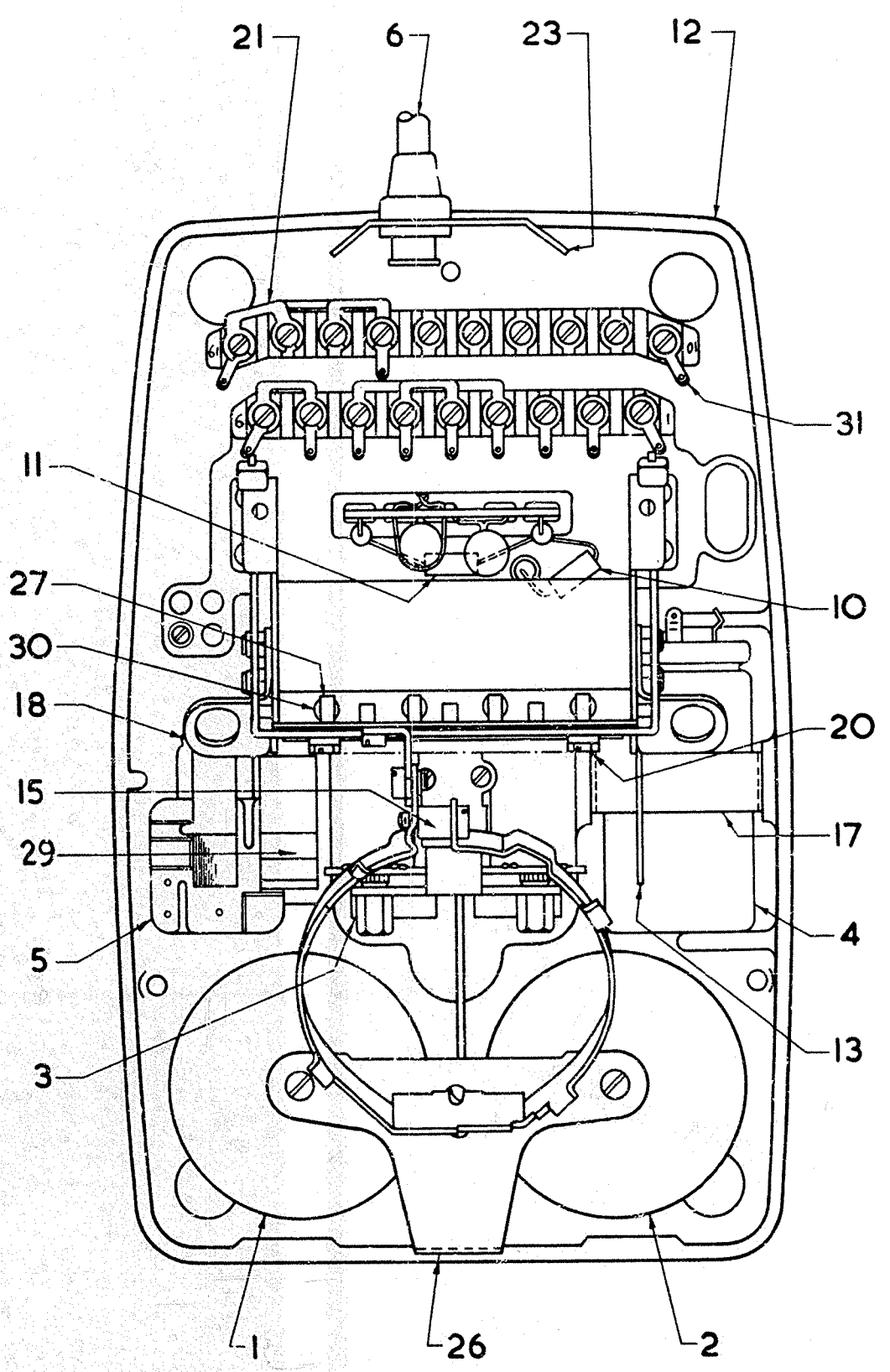
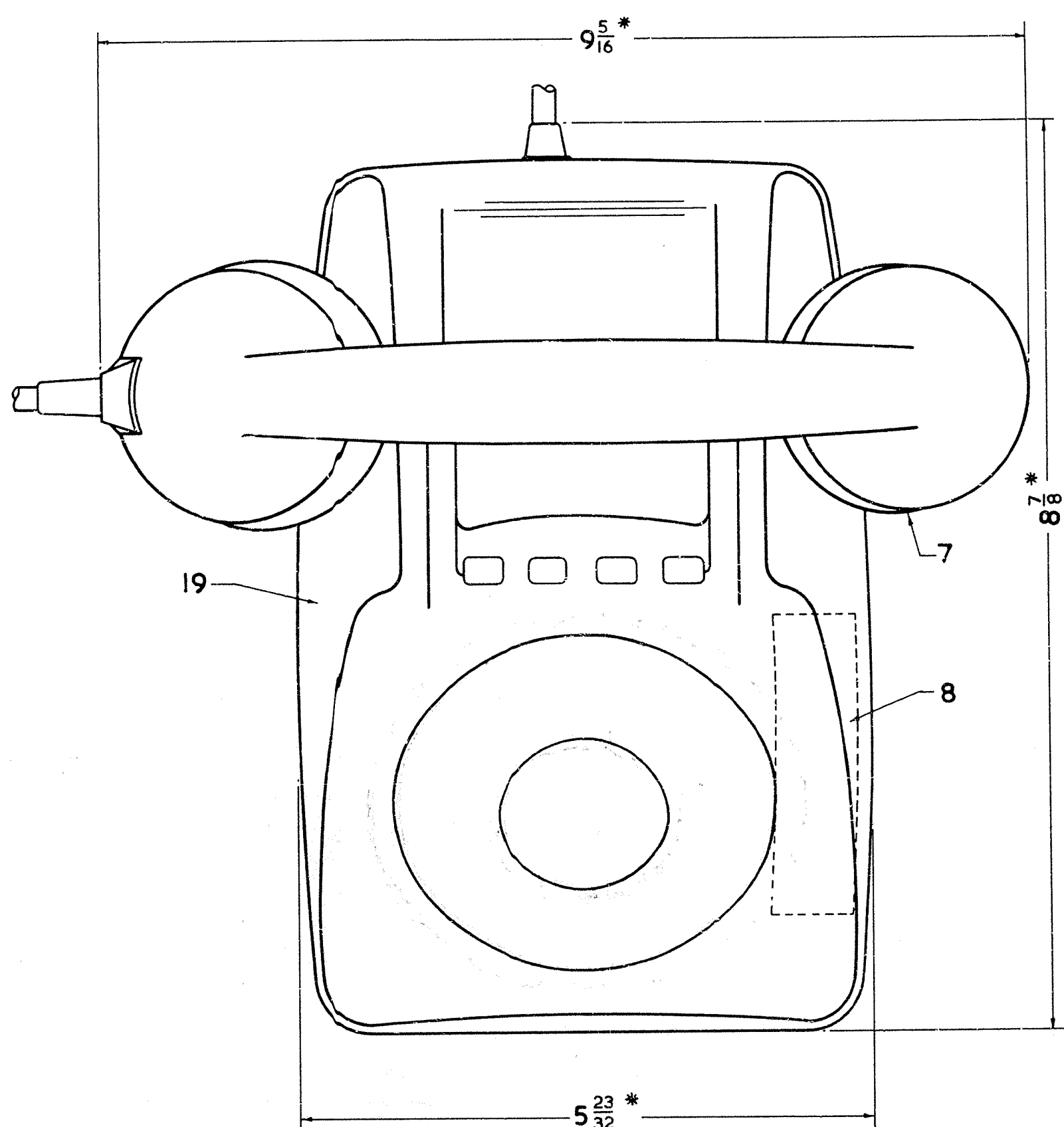
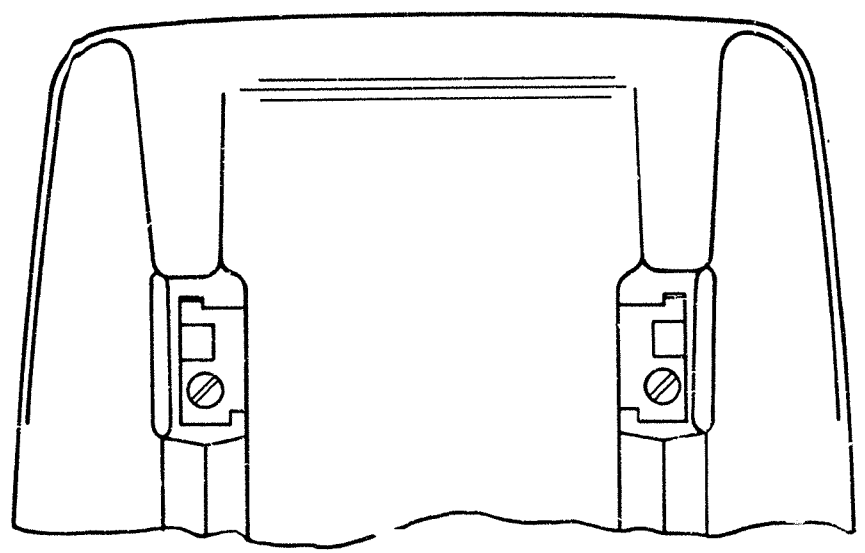
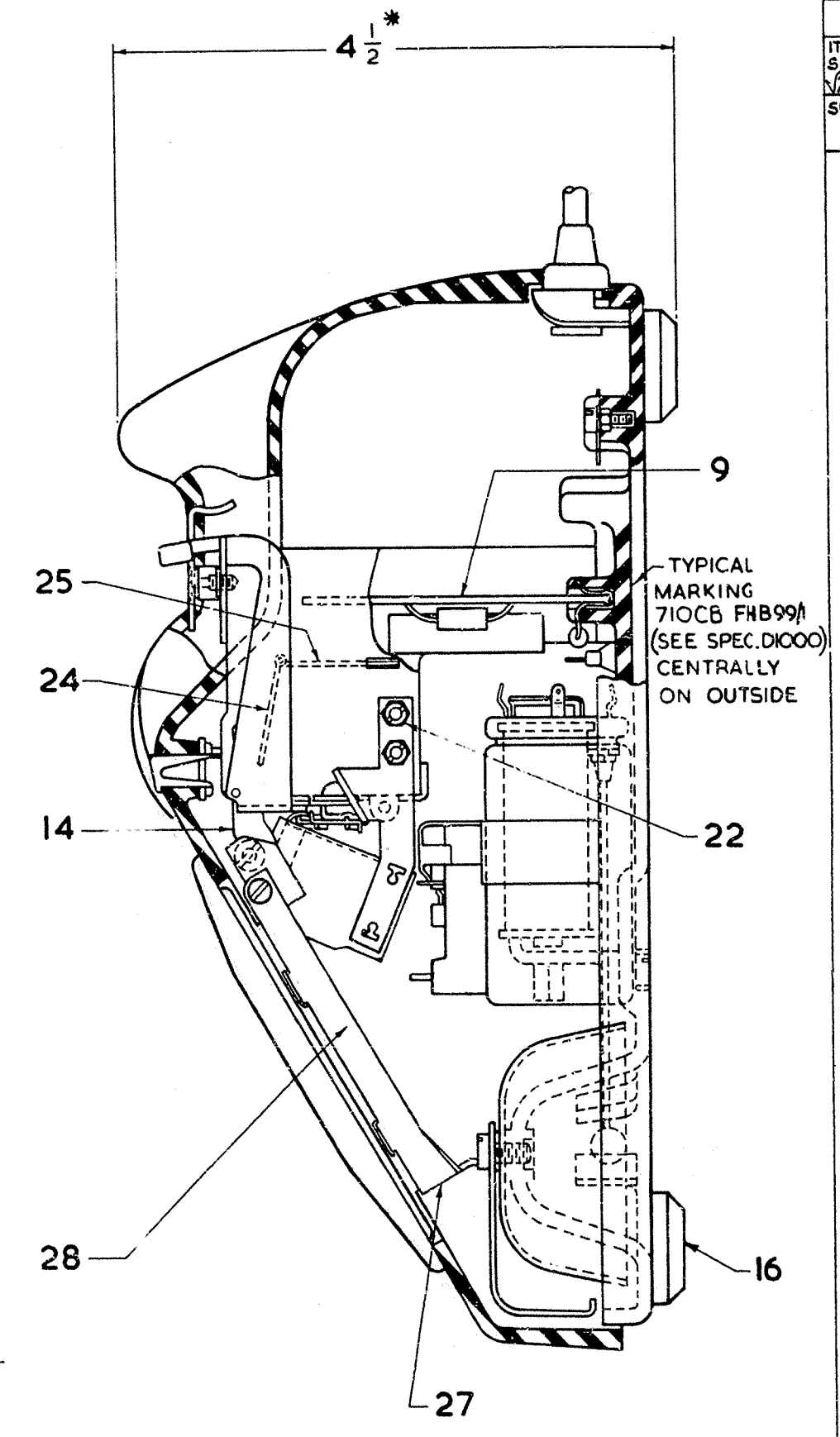


DISTRIBUTION GENERAL	
REFERENCES	
SEE SCHED	SPEC D'000
	DGM NB10
	SPEC 575B
ASSEMBLY DRG	WIRING DGM NB10
F.I.E.	B.T.T.D.C. SPEC 575B
SCALE - 1 AND AS INDICATED	THIRD ANGLE PROJECTION
DECIMAL DIMENSIONS NOT TOLERANCED SUBJECT TO	
ADD'N'S/SECTION	DRN PHOTOGRAPHED
744	CKD 2/15
	CKD NB
	DATE 20.11.63

AMENDMENT	SUFFIX
ITEM 19 WAS 3/DCO/649. SPEC. 575B WAS 5751	A
PA NB 244	29.7.64
SUPERSESSION NOTE ADDED	B
NB Co.	19.11.64



VIEW WITH ITEMS 7, 8 & 19 REMOVED



PART SECTION THROUGH ITEMS 12 & 19

TYPICAL MARKING 710CB FNB991 (SEE SPEC.D'000) CENTRALLY ON OUTSIDE

SCHEDULE							
ITEM	DESCRIPTION	DRG.	No OFF	SCREWS, ETC.	MTL.	FINISH	No OFF
1	BELL - GONG No 24A	91846	1	SC 4BA x 3/8 CH. HD.	MS.	Zn P. B. PASSIVATE OR ZN. P. LAC.	1
2	BELL - GONG No 24B	91846	1	SC 4BA x 3/8 CH. HD.	MS.	Zn P. B. PASSIVATE OR ZN. P. LAC.	1
3	BELL No 59A - 1 UNMOUNTED	9874	1	SC 4BA x 1/2 CH. HD.	MS.	Zn P. B. PASSIVATE OR ZN. P. LAC.	2
4	CAPACITOR, PAPER No 7719	CD 1421	1				
5	COIL, INDUCTION No 31	91271	1				
6	CORD, INSTRUMENT No 4/88AK (COLOUR) 10'	91175	1				
7	HANDSET No 3 (COLOUR)	91199/2	1				
8	LABEL, DIAGRAM NB10	25115	1				
9	REGULATOR No 1	91270	1				
10	RESISTOR, CARBON No 26 GC 39 <sup>A</sup>	CD 1387	1				
11	RESISTOR, CARBON No 26 GC 150 <sup>A</sup>	CD 1387	1				
12	PART 1/DBA/107 (BASE, TELEPHONE, COMPLETE)	DBA/107	1	SC. 8BA. x 5/32 CH. HD. WASHER 8BA. SMALL SC. 6BA. x 1/4 CH. HD.	BR. BR.	N.I. P. HT. N.I. P. HT. N.I. P. HT.	1 1 19
13	PART 2/DBR/373 (BRACKET, LAMP)	DBR/373	1				
14	PART 1/DBR/379 (BRACKET, DIAL, MOUNTING)	DBR/379	1	SC. 6BA x 3/32 CH. HD.	MS.	Zn P. B. PASSIVATE OR ZN. P. LAC.	1
15	PART 5/DBU/67 (BUSH METAL)	DBU/67	1				
16	PART 2/DBU/259 (BUTTON)	DBU/259	4				
17	PART 1/DCU/135 (CLIP, CAPACITOR)	DCU/135	1				
18	PART 2/DCU/136 (CLIP, COIL INDUCTION)	DCU/136	1				
19	PART 2/DCO/649 (COLOUR) (COVER, TELE. CB. COMPLETE)	DCO/649	1				
20	PART 1/DLA/61 (LATCH PLATE, ASSEMBLY)	DLA/61	1				
21	PART 1/DLI/19 (LINK)	DLI/19	7				
22	PART 1/DNU/87 (NUT, HEX, SLOTTED)	DNU/87	4				
23	PART 1/DPL/733 (PLATE, CLAMPING, SLEEVE, CORD)	DPL/733	1				
24	PART 1/DPL/2055 (PLATE COVER)	DPL/2055	1				
25	PART 1/DPL/2056 (PLATE COVER)	DPL/2056	1				
26	PART 1/DPL/789 (PLATE, METAL)	DPL/789	1				
27	PART 1/DPL/380 (PLUNGER)	DPL/380	4				
28	PART 2/DRI/51 (RING, CLAMPING, DIAL)	DRI/51	1	SC. 4BA. x 1/2 CH. HD. SC. 4BA. 3/16 CH. HD.	MS.	Zn P. B. PASSIVATE OR ZN. P. LAC. OR ZN. P. LAC.	1 1
29	PART 1/DSPI/267 (SPRING SET, ASSEMBLY)	DSPI/267	1				
30	PART 1/DSPI/500 (SPRING, PLUNGER)	DSPI/500	4				
31	PART 1/STA/71 (TAG)	STA/71	12				

Ø REPLACEMENT ITEM

COLOURS:- BLACK, GREY & IVORY

DIMENSIONS IN INCHES  
\* DIMENSIONS FOR REFERENCE PURPOSES ONLY

DO NOT SCALE (A MICROFILM PROCESS PRINT)

FOR SUPERSEDING ITEM FOR NEW WORK SEE DRG. 91607/3

TELEPHONE No. 710 CB (COLOUR) (MARK 1) ASSEMBLY