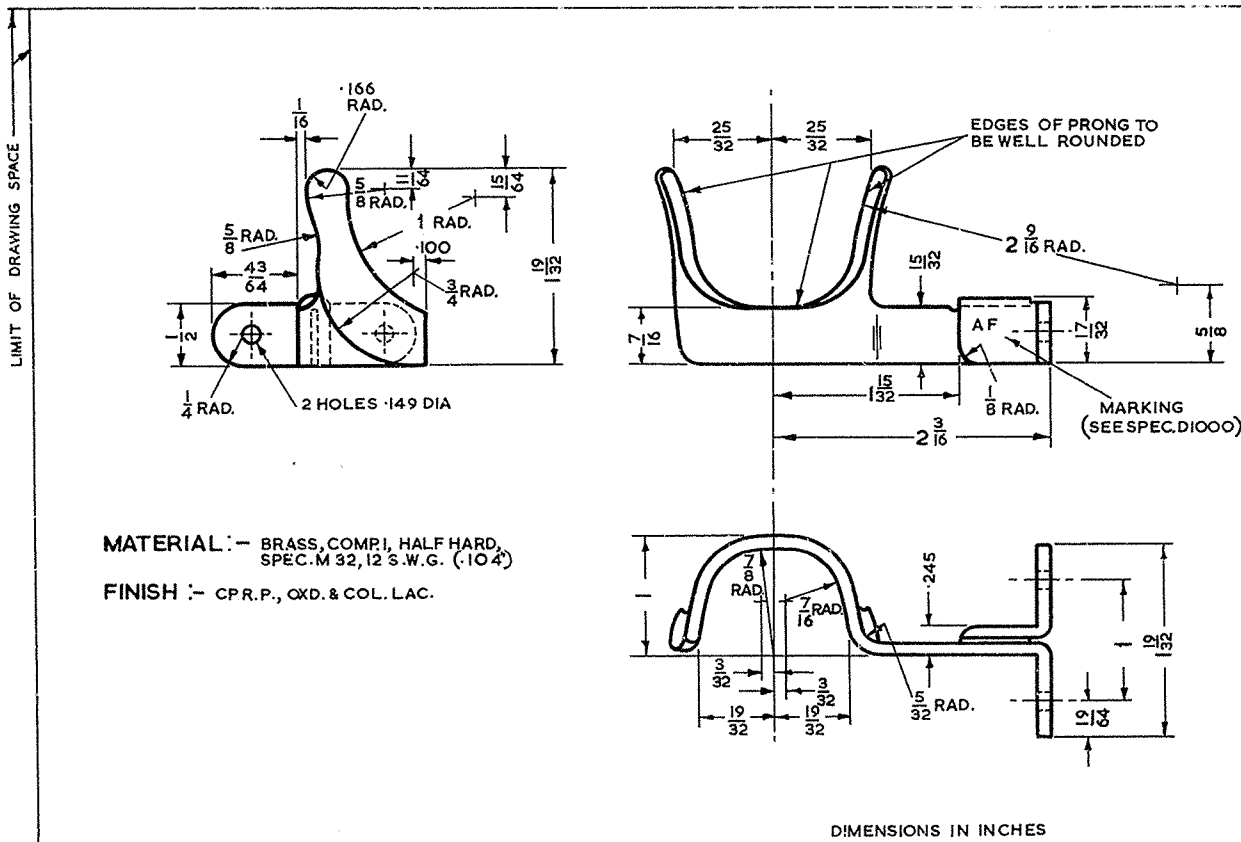


S/D.O.

E- IN-C 438
GEN. GEN. 00032

TRIM TO THESE LINES 13" x 8"

DRG. 91480



MATERIAL :- BRASS, COMPI, HALF HARD,
SPEC. M 32, 12 S.W.G. (.104)
FINISH :- CPR.P., OXD. & COL. LAC.

DIMENSIONS IN INCHES

POST OFFICE ENGINEERING DEPT S BRANCH	
DISTRIBUTION GENERAL	
P.O.	
REFERENCES	
SPEC. D. 1000	
SPEC. M 32	
ASSEMBLY DRG.	WIRING DIAGM
FILE	SPEC
SCALE :- 1 AND AS INDICATED	THIRD ANGLE PROJECTION
DECIMAL DIMENSIONS NOT TOLERANCE SUBJECT TO	
APP. IN SI SECTION	DRN J.A.O.
<i>[Signature]</i>	TCD. B.T.A.
	CHK <i>[Signature]</i>
	DATE 24.1.61
AMENDMENT	SUFFIX
FOR SUPERSID	
HOOK, RECEIVER AF	
DRG. 91480	
1310.91480 BY 9 59	

MASTER