

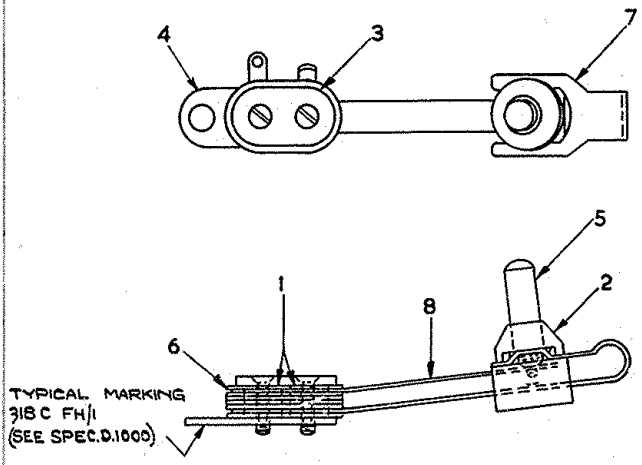
E-IN-C 438  
GEN. GEN. D0032

/D.O.

TRIM TO THESE LINES 13" x 8"

DRG. 90778

POST OFFICE ENGINEERING DEPT E-IN-C'S OFFICE S BRANCH	
DISTRIBUTION	
GENERAL	
SEE SCHEDULE	REF. D 1000
ASSEMBLY DRG.	WIRING DGM.
FILES, ISO RECHANGES, SPEC.	
SCALE: 1 AND AS SHOWN	ANGLE PROJECTION
DECIMAL DIMENSIONS NO. TOLERANCED	
SUBJECT TO	
APP'D IN SI SECTION DRN } G.E.C.	
5-10-56	CHG. CONTRS. 2/56
DATE	5-10-56
AMENDMENT	SUFFIX
FOR SUPERSEDE	
KEY No318 C (MK. 1)	
DRG. 90778	



SCHEDULE			
ITEM	PART	DRG	Nº OFF
1	34/DBU/109 (BUSH, INSULATING)	DBU/109	2
2	Ø1/DBU/169 (BUSH, PLUNGER)	DBU/169	1
3	1/DPL/186 (PLATE, CLAMPING)	DPL/186	1
4	1/DPL/187 (PLATE, CLAMPING)	DPL/187	1
5	Ø1/DPL/366 (PLUNGER)	DPL/366	1
6	1/DSE/51 (SEPARATOR, INSULATING)	DSE/51	6
7	1/DSP/1341 (SPRING, CONTACT)	DSP/1341	1
8	1/DSP/1355 (SPRING, CONTACT)	DSP/1355	1

Ø REPLACEABLE ITEMS.

SCREWS ETC.				
ITEM	DESCRIPTION.	MTL	FINISH	Nº OFF
9	SC. 6 BA x 7/16 CSK. HD.	MS.	NI. PMT. & LAC.	2

FIRST USE:- BELL SET Nº 39A (DRG. 90746)

(c)  
P 25603

LIMIT OF DRAWING SPACE

MASTER