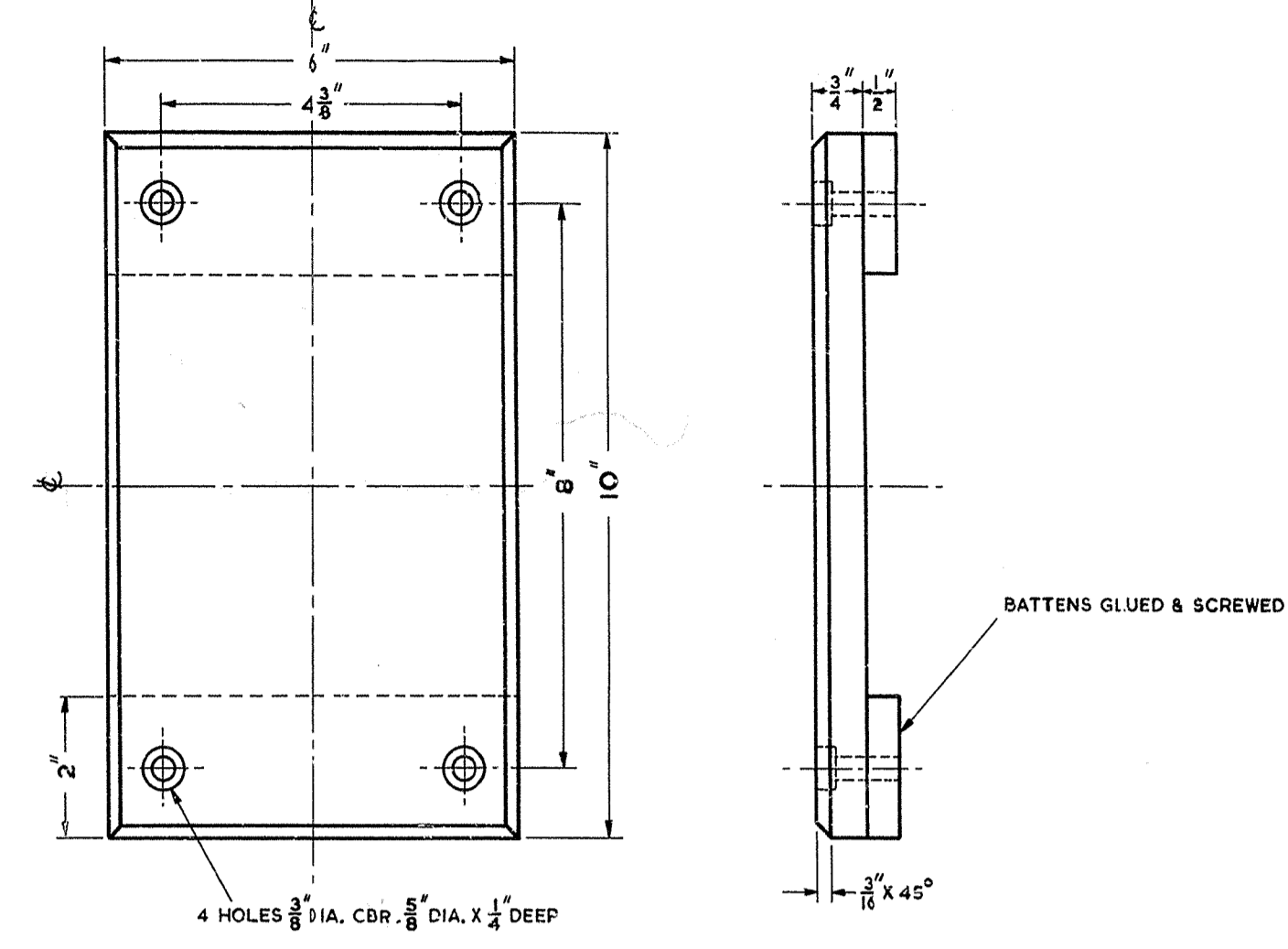
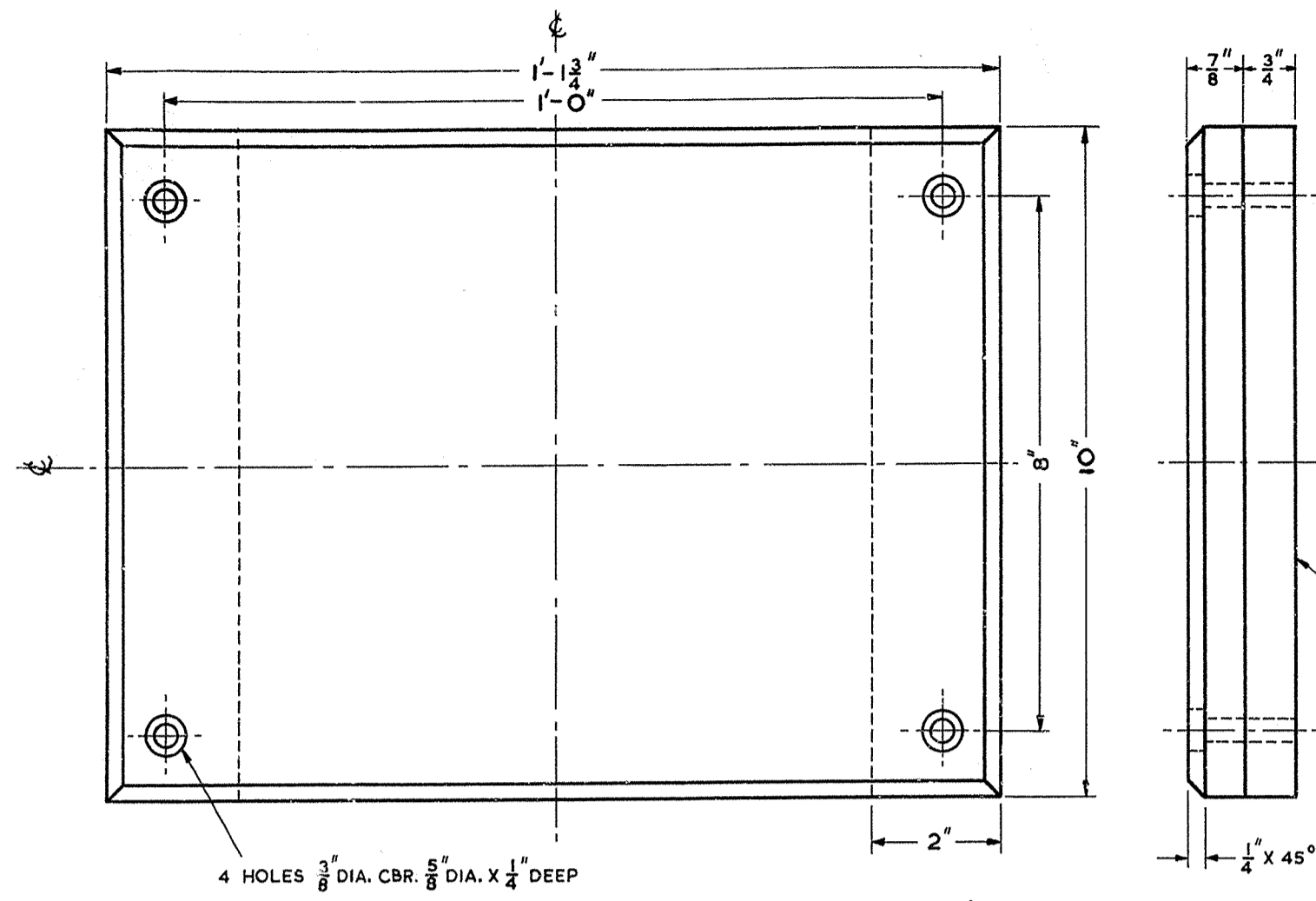
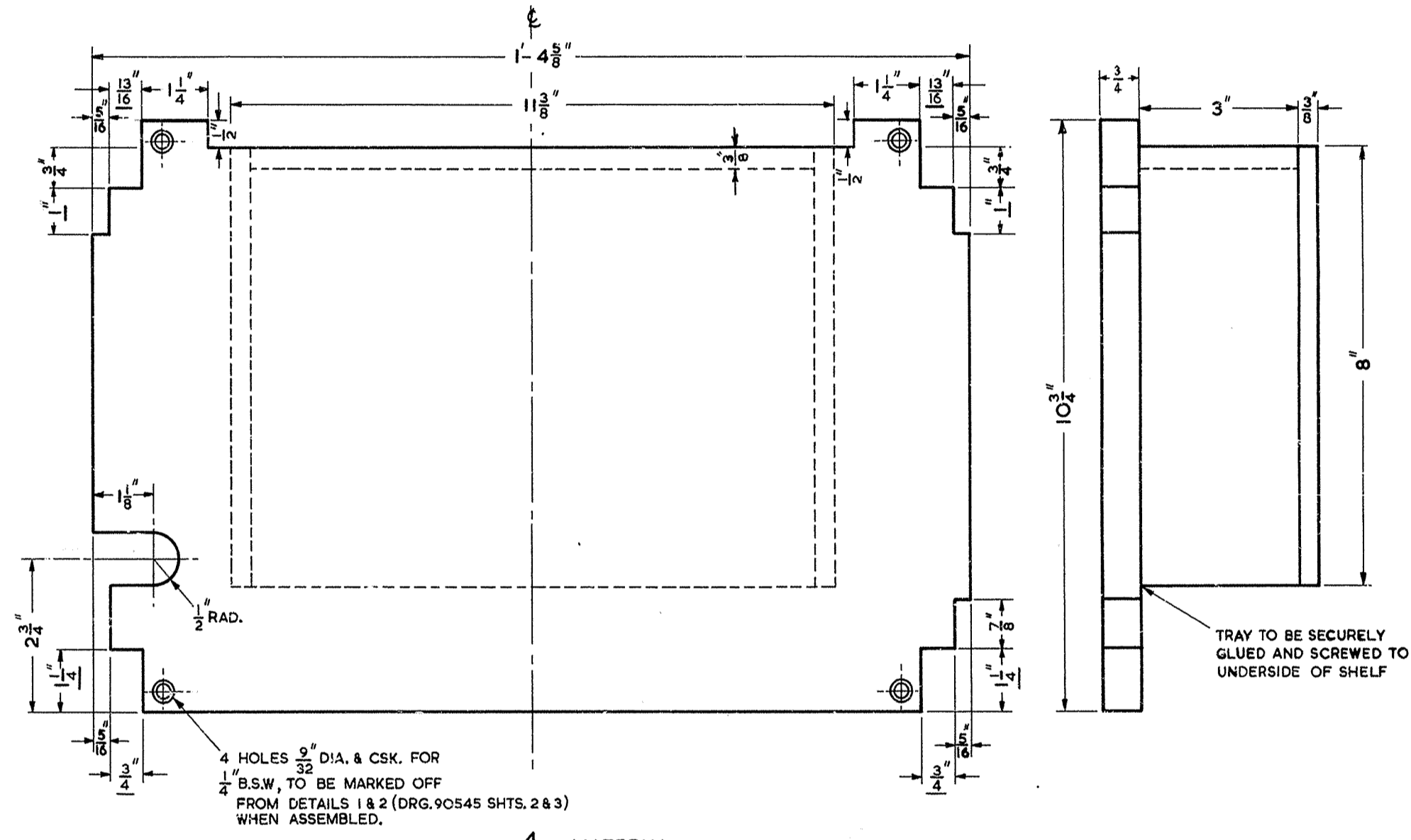
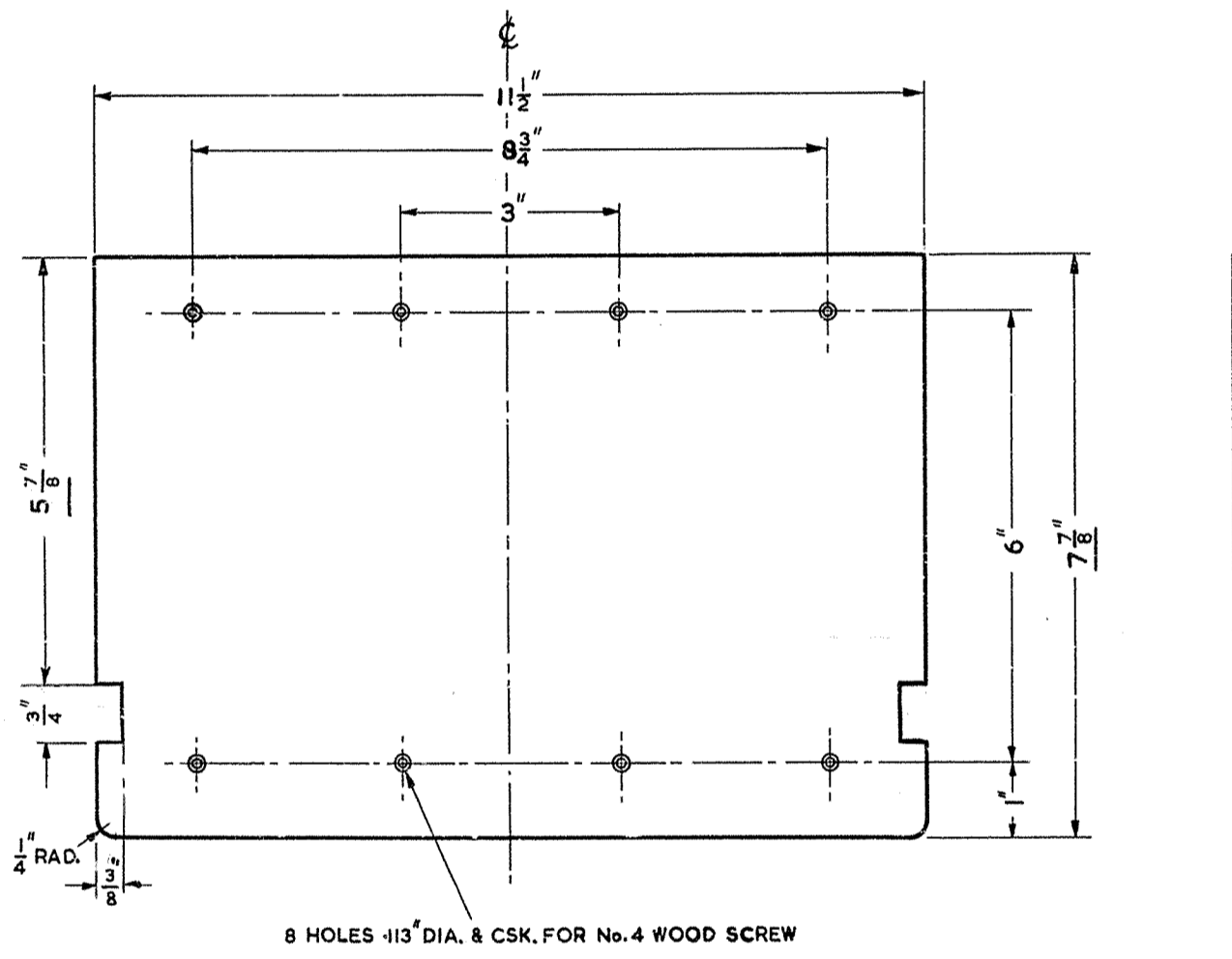


DRG. 90734 SHT. 1-2



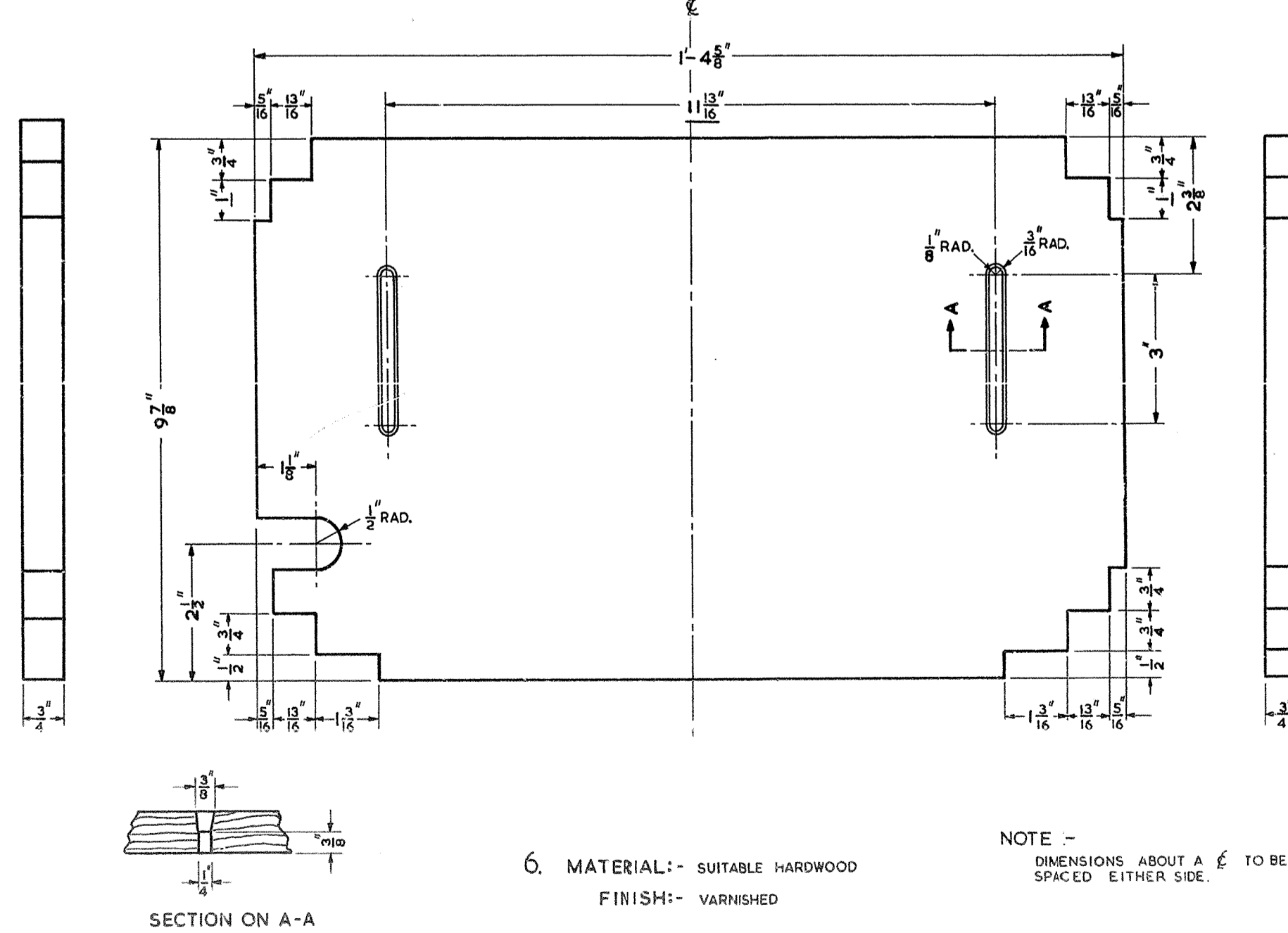
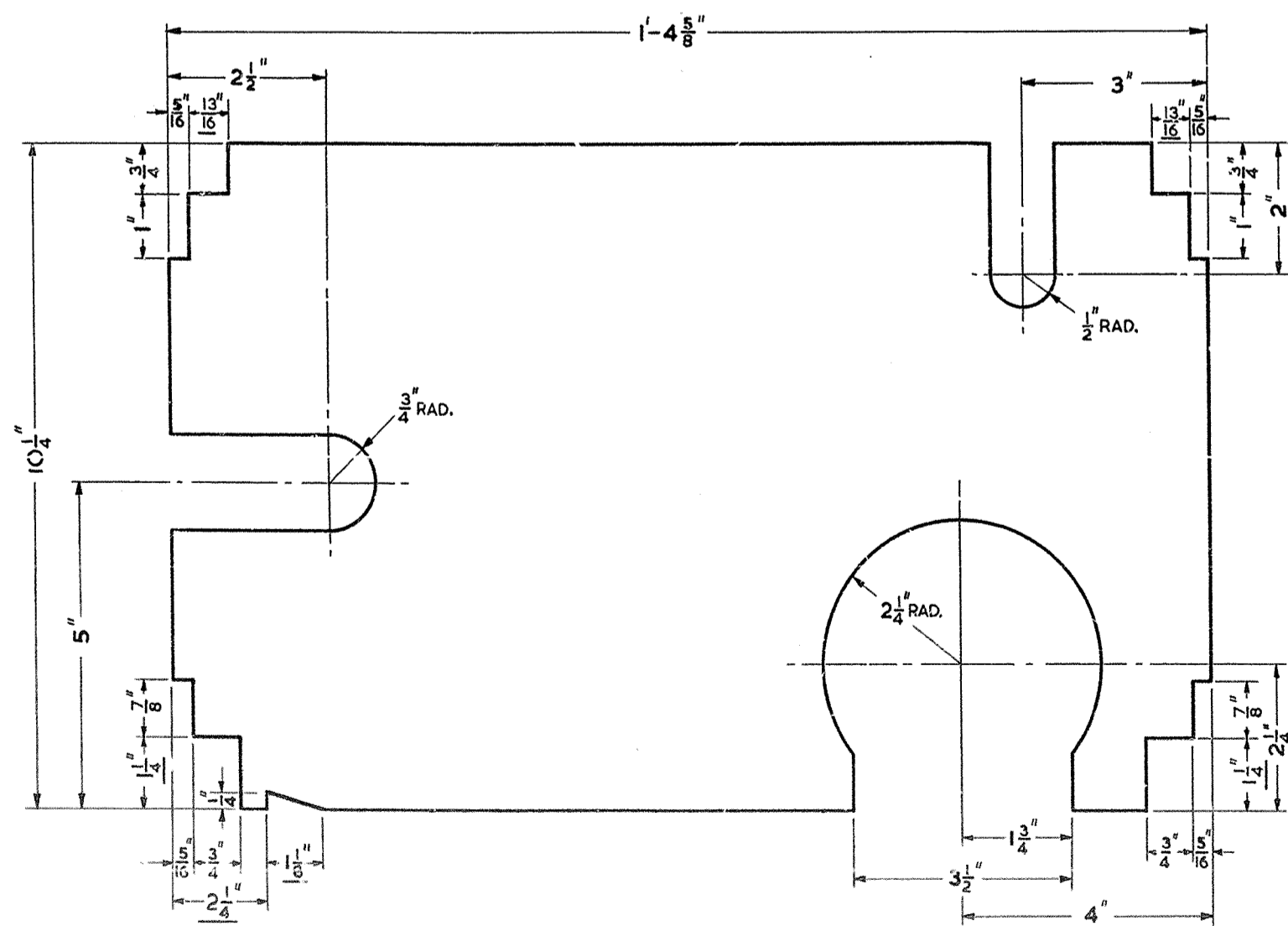
1. MATERIAL:- SUITABLE HARDWOOD  
FINISH:- VARNISHED

2. MATERIAL:- SUITABLE HARDWOOD  
FINISH:- VARNISHED



3. MATERIAL:- ALUMINIUM, NS4, HALF HARD, SPEC. BS1470  
(45WG(OBO))  
FINISH:- CLEAN

4. MATERIAL:- SUITABLE HARDWOOD  
FINISH:- VARNISHED



5. MATERIAL:- SUITABLE HARDWOOD  
FINISH:- VARNISHED

6. MATERIAL:- SUITABLE HARDWOOD  
FINISH:- VARNISHED

SECTION ON A-A

POST OFFICE ENGINEERING DEPT	
E-IN-C'S OFFICE S BRANCH	
DISTRIBUTION	
RESTRICTED	
REF. NO.	BS.1470
ASSEMBLY DRG.	90544
FILE NO.	51976/1
SCALE	1/2" AND AS INDICATED
THIRD ANGLE PROJECTION	
APPRO'D IN S1/2 SECTION	DR. S.H.H.
DR. S.H.H.	DR. S.H.H.
DATE	7. 4. 51.
AMENDMENT	
DETAIL 2:- 1/2" BATTEN WAS SHOWN AS 1/2" x 1/2" x 1/2" 29.1.57.	A
DETAILS 3, 4, 5 & 6 REDIMENSIONED.	B
SUPERSESSION NOTE ADDED.	C
DETAIL 3 DIMENSION 2 WAS 2" 2" WAS 2" & 5" WAS 5" 16.5.58	D
DET. 4. DIM. 10 1/2" WAS 10 1/2" 1 1/2" LUGS ADDED. 4 HOLES ADDED.	E

ES DRG. 90301

POST, PA No.3

DETAILS 1-6

90734 SHEET 1-2