

DRG. 90678

POST OFFICE ENGINEERING DEPT
E. IN-C/S OFFICE S BRANCH

DISTRIBUTION
GENERAL

P.O. GENERAL

SEE SCHEDULE SPEC. D. 1000

ASSEMBLY DRG. WIRING DGM.
90569

FILES 1150 TECH. SPEC.
AND AS SPEC. ANGLE

SCALE: - T INDICATED PROJECTION
DECIMAL DIMENSIONS NOT TOLERANCED
SUBJECT TO

APPD IN S1 SECTION DRN } GEC.
TCD }
CHKD. CONTRS. & RR }
DATE 20.2.56

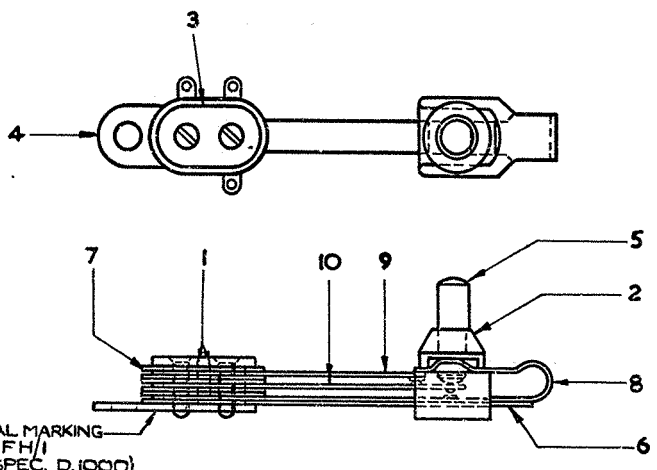
AMENDMENT SUFFIX
A

ITEM 5 WAS 1/DPL/366
ABC. 1/11 K.M.O. 13.6.58

FOR S. PERSED

KEY No. 318 B
(MK.1)

DRG. 90678



SCHEDULE			
ITEM	PART	DRG.	No. OFF.
1	2B/DBU/109 (BUSH, INSULATING)	DBU/109	2
2	φ1/DBU/169 (BUSH, PLUNGER)	DBU/169	1
3	1/DPL/186 (PLATE, CLAMPING)	DPL/186	1
4	1/DPL/187 (PLATE, CLAMPING)	DPL/187	1
5	φ1/DPL/368 (PLUNGER)	DPL/368	1
6	1/DSE/90 (SEPARATOR, INSULATING)	DSE/90	1
7	1/DSE/51 (SEPARATOR, INSULATING)	DSE/51	5
8	1/DSP/1341 (SPRING, CONTACT)	DSP/1341	1
9	1/DSP/1342 (SPRING, CONTACT)	DSP/1342	1
10	2/DSP/1343 (SPRING, CONTACT)	DSP/1343	1

φ REPLACEABLE ITEMS.

SCREWS, ETC.				
ITEM	DESCRIPTION	MTL.	FINISH	No. OFF.
3	S.C. 68A X 3/8" CSK. HD.	MS.	NI. RMT. & LAC.	2

(c)
P. 101803

FIRST USE:- BELL SET No. 44 (DRG. 90569)