

POST OFFICE ENGINEERING DEPT.
E-IN-C'S OFFICE S BRANCH
DISTRIBUTION

90
GENERAL
REFERENCES

SEE SCHEDULE SPEC. D.1000

ASSEMBLY DRG. WIRING DRG.
90569
E.T. S.1170, RECH. GEN. S
CELLS 1
3RD ANGLE
NORMAL DIMENSIONS NOT TOLERAGED
SUBJECT TO

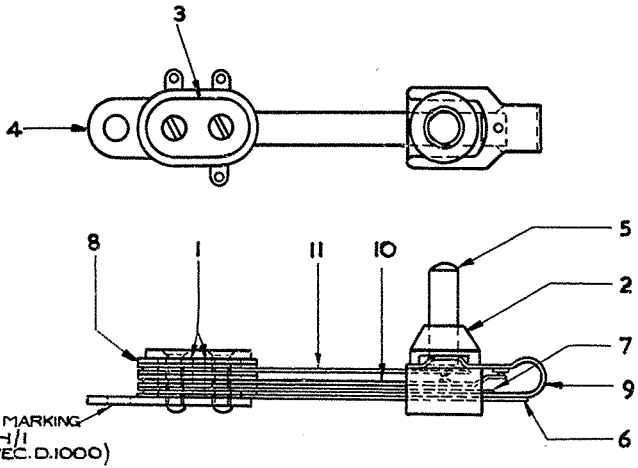
APPLICABLE IN S1 SECTION DRG. GEC.
T.C.P.
C.H.D. CONTRAS. & R.S.
DATE: 20.2.56

AMOUNT SPEC.
ITEM 5 WAS 1/DPL/366
ASK. K.M.O. 13.5.58
A

2 PARTS

KEY No. 318A
(MK. I)

DRG. 90677



SCHEDULE			
ITEM	PART	DRG.	No. OFF
1	28/DBU/109 (BUSH, INSULATING)	DBU/109	2
2	φ1/DBU/169 (PLUNGER, PLUNGER)	DBU/169	1
3	1/DPL/186 (PLATE, CLAMPING)	DPL/186	1
4	1/DPL/187 (PLATE, CLAMPING)	DPL/187	1
5	φ1/DPL/368 (PLUNGER)	DPL/368	1
6	1/DSE/50 (SEPARATOR, INSULATING)	DSE/50	1
7	2/DSE/50 (SEPARATOR, INSULATING)	DSE/50	1
8	1/DSE/51 (SEPARATOR, INSULATING)	DSE/51	5
9	1/DSP/1339 (SPRING, CONTACT)	DSP/1339	1
10	1/DSP/1340 (SPRING, CONTACT)	DSP/1340	1
11	1/DSP/1343 (SPRING, CONTACT)	DSP/1343	1

Ø REPLACEABLE ITEMS.

SCREWS ETC.				
ITEM	DESCRIPTION	MTL.	FINISH	No. OFF.
3	SC. 6 BAX 13/32 CSK. HD.	M.S.	N.P. MT. & LAC.	2

(c)
P. 101831

FIRST USE:- BELL SET No. 44 (DRG. 90569)

REF. TO THESE LINES 13" x 8"

DRG 90677