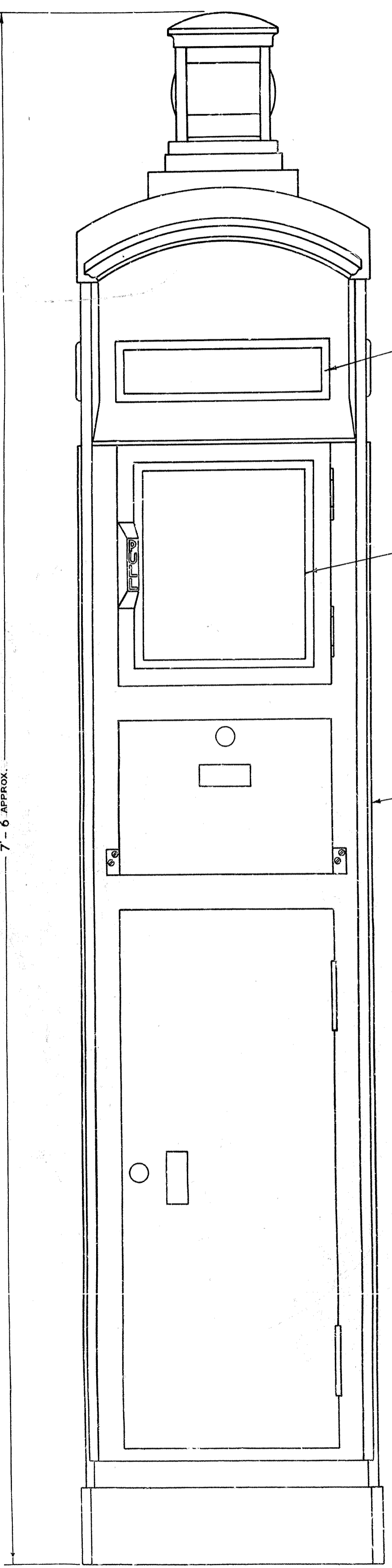
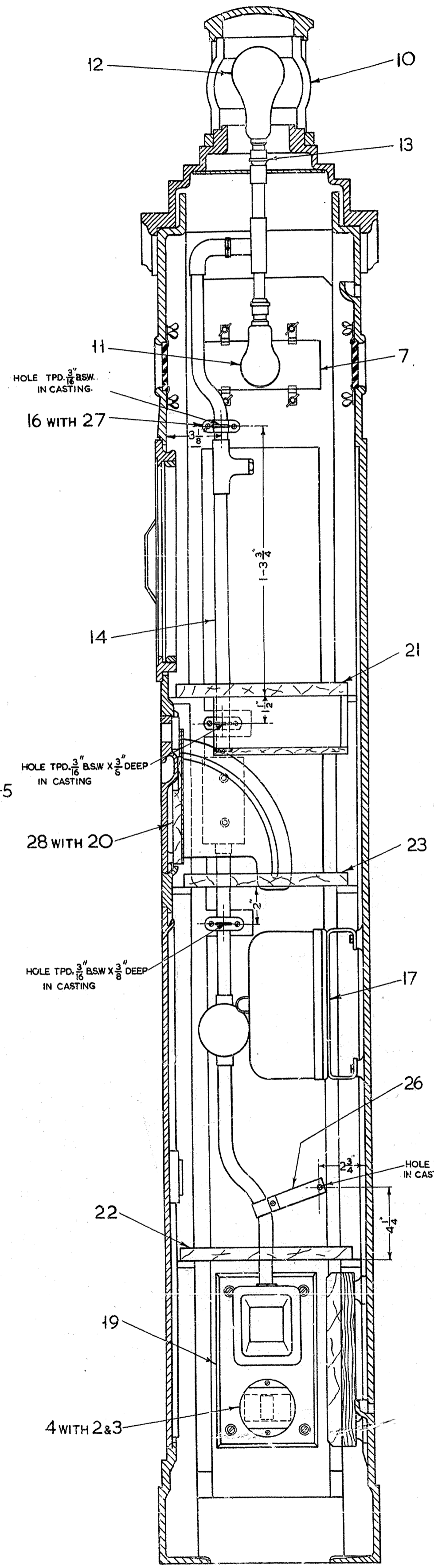


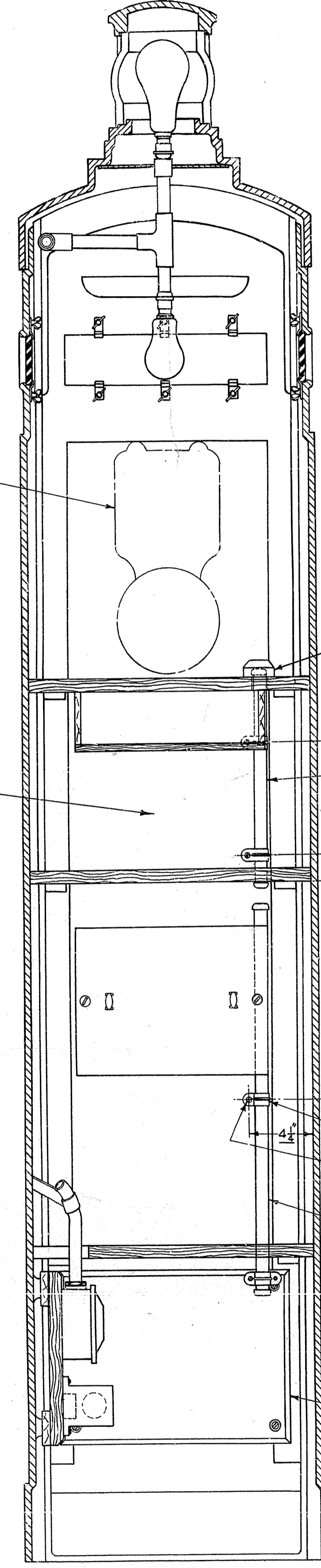
DRG 90544



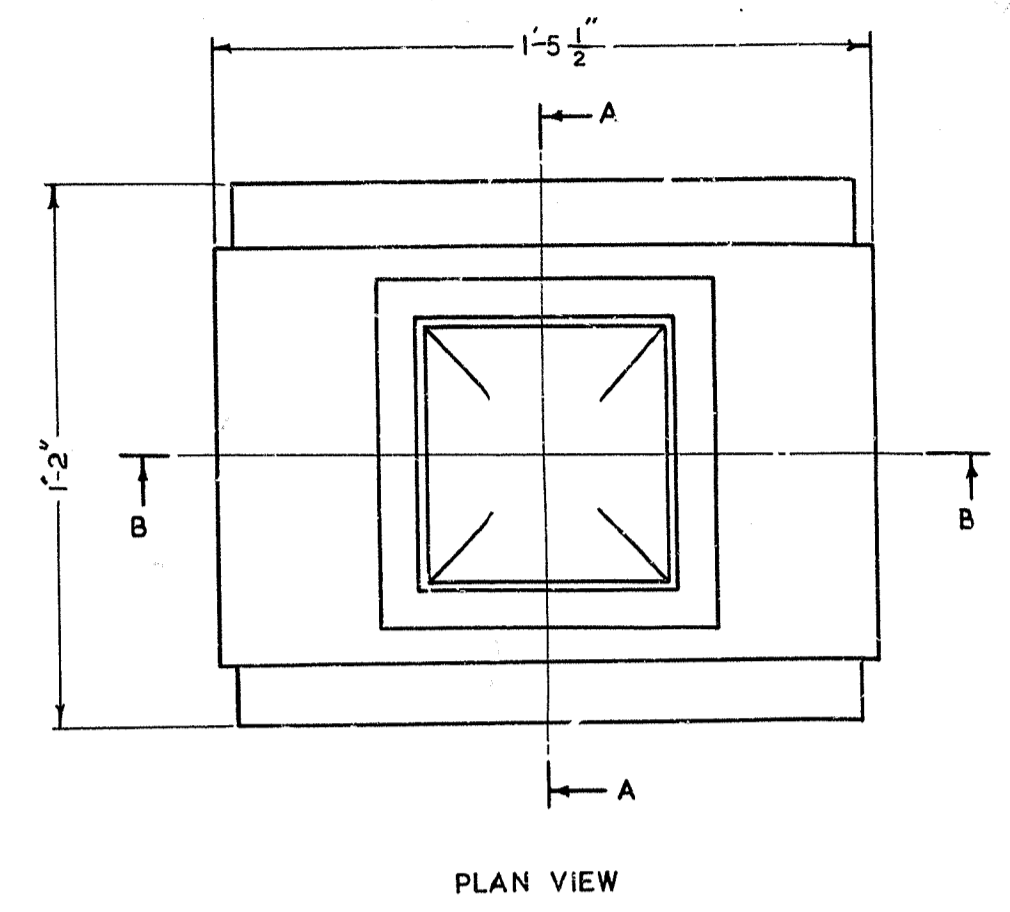
FRONT ELEVATION



SECTION A-A



SECTION B-B



PLAN VIEW

SCHEDULE								
ITEM	QTY	CODE	DESCRIPTION	DRG	SPEC.	NO OFF	MTL. FINISH	NO OFF
1			BLOCK, TERMINAL No. 20/8	61267		1		
2			BLOCK, TERMINAL No. 21/2	71012		1	WD. SC. No. 4 X 1/2 RD. HD.	BR 2
3			CAPACITOR, PAPER No. 7508			1		
4			CASE, FILTER SUPPRESSION No. 18A (LESS BASE & RIVETS) FOR MODIFICATION SEE ITEM 29.			1	WD. SC. No. 8 X 1/2 RD. HD.	BR 2
5			CASTINGS, POST P.A. No. 3	90545		1		
6			CLIP, CONDUIT No. 2	B531		3	SC. 3/16 B.S.W. X 3/8 RD. HD.	MS ZN.P. 3
7			GLASS No. 65	90308		2		
8			GLASS No. 66	90309		2		
9			GLASS No. 67A	90316		1		
10			GLASS No. 68	90340		1		
11			LAMP, GENERAL SERVICE PEARL...V 60 WATTS			1		
12			LAMP, GENERAL SERVICE PEARL...V 150 WATTS			1		
13			LAMPHOLDER No. 1E			2		
14			POST P.A. No. 3 - CONDUIT SUB-ASSEMBLY	P/RL840		1	WD. SC. No. 10 X 1/2 RD. HD.	BR 3
15			PROTECTOR - FUSE No. 1-2 (MK-1)	62443	D1453	1		
16			SADDLE CONDUIT No. 2	B531		4	SC. 2 BA X 1/2 RD. HD. WD. SC. No. 8 X 1/2 RD. HD.	MS ZN.P. 6
17			UNIT SIGNALLING P.A. No. 2	90324	S436	1		
18			DETAIL 1 (BOARD, MOUNTING, REAR)	90734 SHEET 1-2		1	SC. 1/2 B.S.W. X 1 3/4 CH. HD. WASHER 1/2 B.S.W.	MS ZN.P. 4
19			DETAIL 2 (BOARD, MOUNTING, SIDE)	90734 SHEET 2		1	SC. 1/2 B.S.W. X 1 3/4 CH. HD. WASHER 1/2 B.S.W.	MS ZN.P. 4
20			DETAIL 3 (PLATE, FACING)	90734 SHEET 3		1	WD. SC. No. 4 X 1/2 CSK. HD.	MS ZN.P. 8
21			DETAIL 4 (SHELF AND TRAY)	90734 SHEET 4		1	SC. 1/2 B.S.W. X 1 1/2 CSK. HD.	MS. ZN.P. 4
22			DETAIL 5 (SHELF, LOWER)	90734 SHEET 5		1		
23			DETAIL 6 (SHELF, UPPER)	90734 SHEET 6		1		
24			DETAIL 7 (CONDUIT 1-0 1/2)	90734 SHEET 7		1		
25			DETAIL 8 (CONDUIT 1-0 1/2)	90734 SHEET 8		1		
26			DETAIL 9 (CLIP, EARTHING)	90734 SHEET 9		1	SC. 1/2 B.S.W. X 7/8 CH. HD. SC. 2 BA X 3/8 CH. HD. NUT 2 BA HEX. ORD. WASHER 1/2 B.S.W.	BR 1 BR 1 BR 1 BR 1
27			DETAIL 10 (BLOCK, MOUNTING)	90734 SHEET 10		3	SC. 3/8 B.S.W. X 1/2 CSK. HD.	MS ZN.P. 3
28			DETAIL 11 (PANEL, DOOR)	90734 SHEET 11		1	SC. 3/8 B.S.W. X 1/2 CSK. HD.	MS ZN.P. 4
29			DETAIL 12 (CASE, FILTER SUPPRESSION) SEE ITEM 4	90734 SHEET 12		1		

\* ITEM TO BE REQUISITIONED SEPARATELY AND FITTED LOCALLY.

POST OFFICE ENGINEERING DEPT.  
E.I.M.-CS. OFFICE 5 BRANCH

RESTRICTED

SEE SCHED. 1  
ASSEMBLY DRG. 51978/1  
SCALE 1/4" = 1" AND ALL THIRD ANGLE PROJECTION  
DECIMAL DIMENSIONS UNLESS OTHERWISE STATED  
APP'D IN 1/2 SECTION  
Ramanchari  
4.4.46

AMENDMENT SUFFIX

MOUNTING POSITIONS FOR ITEMS 8 & 9 SHOWN. FIXING SCREWS FOR ITEM 18 WERE 2 1/2" AND FOR ITEM 19 WERE 2 1/4". ITEM 6 SCREWS WERE CSK. ITEM 4 MODIFIED & ITEM 29 ADDED. ITEM 14, WD. SC. ADDED. ITEM 26, LENGTH OF 1/2" B.S.W. SCREW WAS 1 1/2". ITEM 27, LENGTH OF SCREWS WAS 1 1/2". SECTION A-A, DIM. 2 1/2" WAS OMITTED. DEPTH OF FIXING HOLES FOR CONDUIT AMENDED. MEJ 1/11/46 17.6.46

SUPERSEDED NOTE ADDED. DIM. 3 1/2" (2 SADDLE CONDUIT) WAS 2 1/2" DIM. 4 1/2" (CLIP FIXING HOLE) WAS 4 1/2" MEJ 1/11/46 17.6.46

ITEM 21, SCREWS ADDED. MEJ 1/11/46 17.6.46

ITEM 15 DELETED. MEJ 1/11/46 17.6.46

ITEM 14 DRG. No. WAS 90770 M.S. 1/11/46 17.6.46

DO NOT SCALE  
(A MICROFILM PROCESS PRINT)

ES DRG. 90301

POST P.A. No. 3

ASSEMBLY

90544