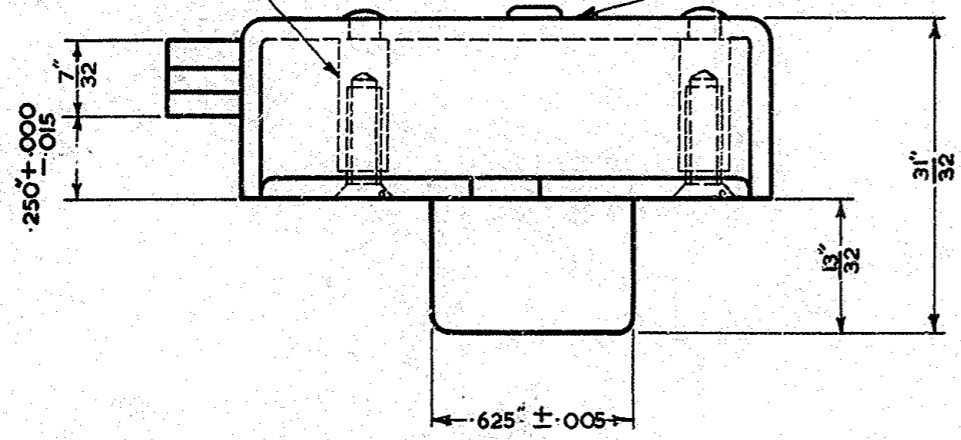
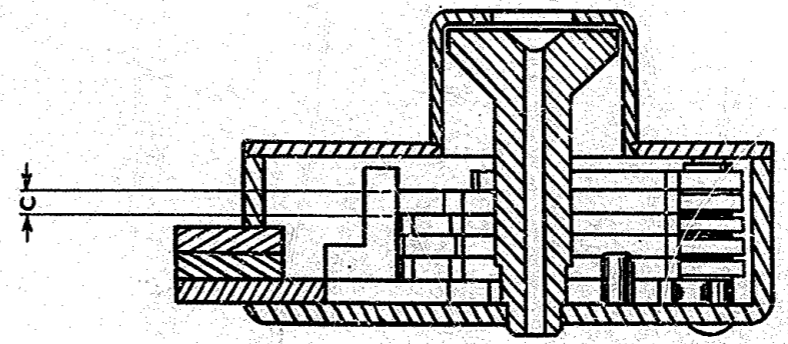


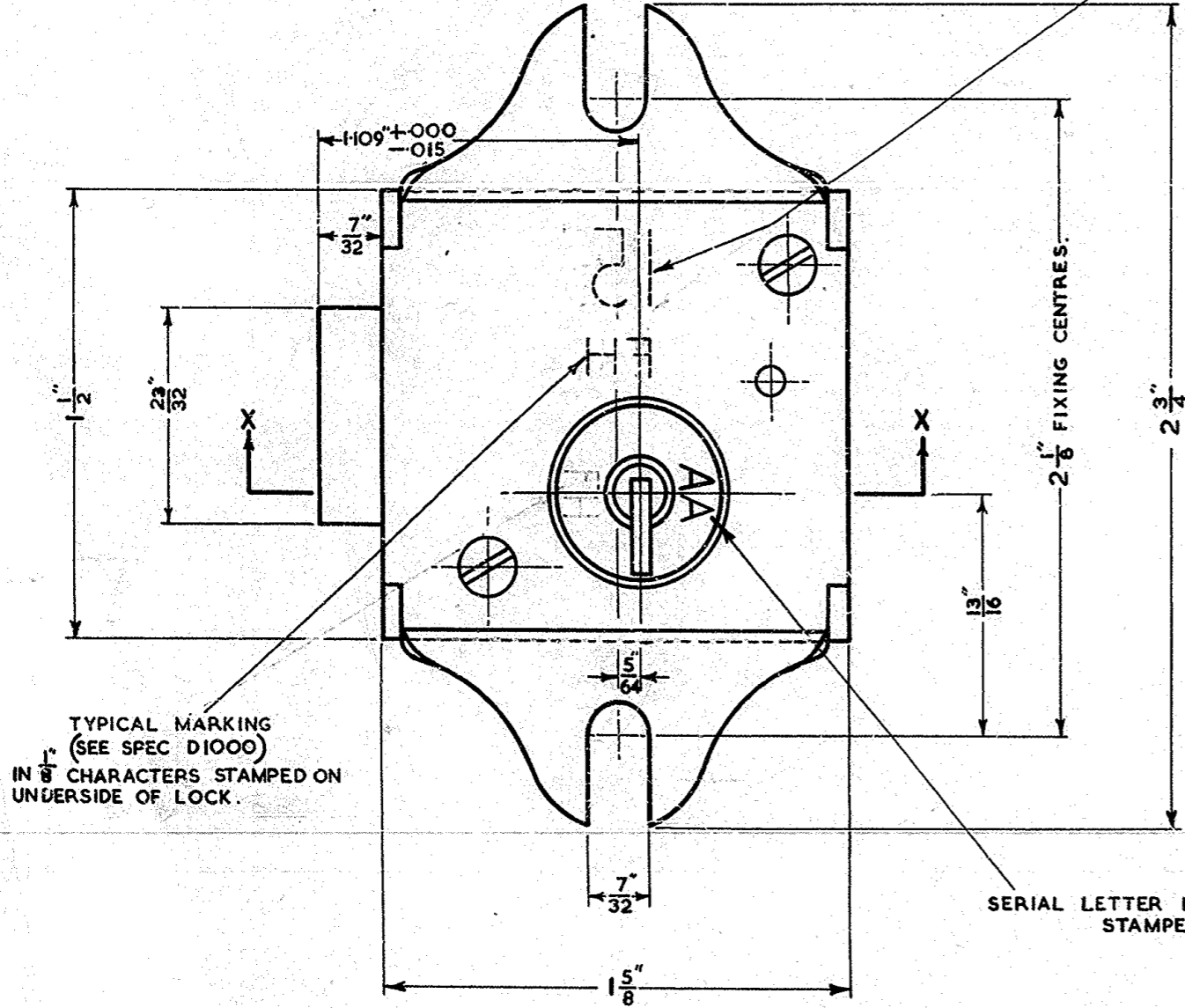
PILLARS FOR COVER FIXING SCREWS, TO BE PROVIDED, RIVETED TO BASE.



CODE No. IN 1/4 CHARACTERS. STAMPED ON UNDERSIDE OF LOCK.

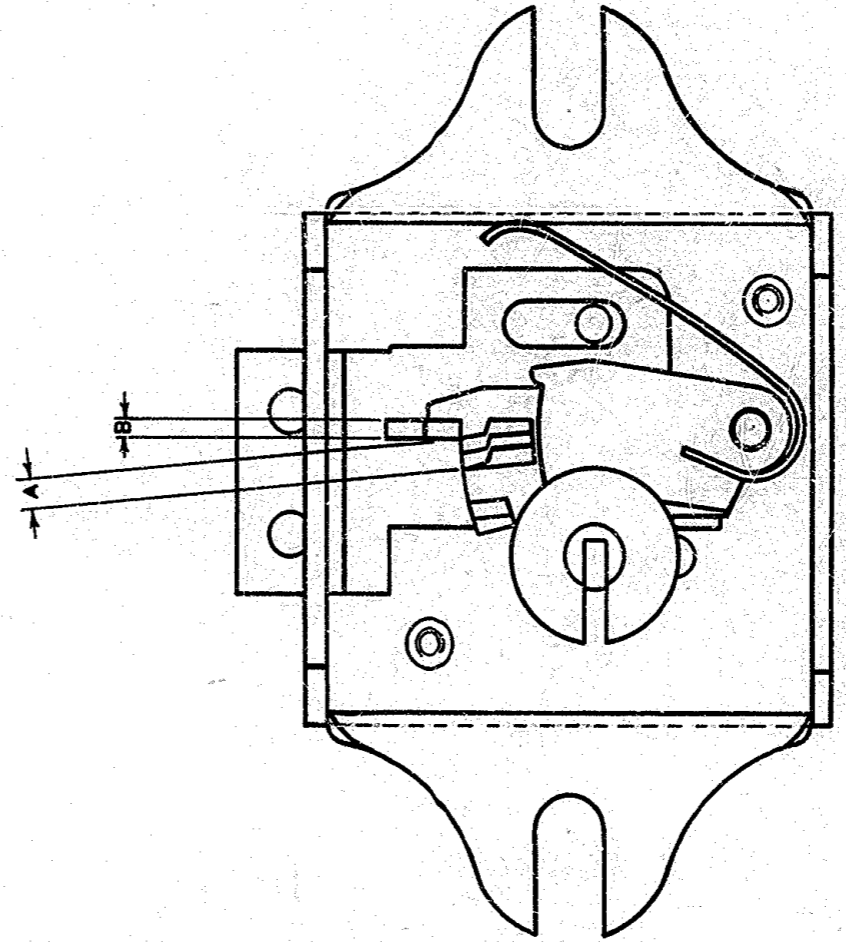


SECTION X-X



TYPICAL MARKING (SEE SPEC D1000) IN 1/8 CHARACTERS STAMPED ON UNDERSIDE OF LOCK.

SERIAL LETTER IN 1/8 CHARACTERS STAMPED ON



VIEW WITH COVER PLATE REMOVED

NOTE:- FOR DIMENSIONS 'A', 'B' & 'C' SEE SPEC. S395.

MATERIAL FINISH } SEE SPEC. S395

DISTRIBUTION	
P.O.	NIL
REFERENCES	
	SPEC D1000
ASSEMBLY DRG.	WIRING DGM
FILE S1144/27	SPEC S395
SCALE: - 2/1 INDICATED	THIRD ANGLE PROJECTION
FRACTL. DIMENSIONS NOT TOLERANCED SUBJECT TO ± 1/64	
APP'D. IN SI/3 SECTION	DRN. W. C. P.
ORIGINAL SIGNED BY	TCR. J. S.
C. W. ARNOLD	CRD. <i>[Signature]</i>
R.H.D. <i>[Signature]</i>	DATE 4. 6. 52.
AMENDMENT	SUFFIX
FIXING SCREW PILLARS SHEWN. TITLE WAS LOCK No. 15 & KEY, LOCK No. 15 A- W. J.S. G.A.C. H.L.S. R.H.D. 13-10-53	
FORMERLY DRG. CD850 RENUMBERED 90520	
REDRAWN. ADDITIONAL VIEWS SHEWN & KEY. SCHEDULE ADDED. TITLE WAS LOCK No. 15A-W. AND KEY, LOCK No. 15A-W. J.S. G.A.C. H.L.S. R.H.D. 1.7.54	
DIM. OF BOLT WAS 25 32. LOCK ADDED TO KEY, LOCK No. 15... IN TITLE. M.E.J. H.V. 12-7-56	
TITLE AMENDED <i>[Signature]</i> 29.7.63	
SUPERSESSION NOTE ADDED. (LOCK No. 19) M.E.J. H.V. 22.4.64	

LOCK No. 15 ENG SUPERSEDES LOCK No. 19 (DRG. 90556)

LOCK No. 15 (AA-AW, BA-BW, ENG) AND KEY, LOCK, No. 15 (AA-AW, BA-BW, ENG) (LOCK ASSEMBLY)