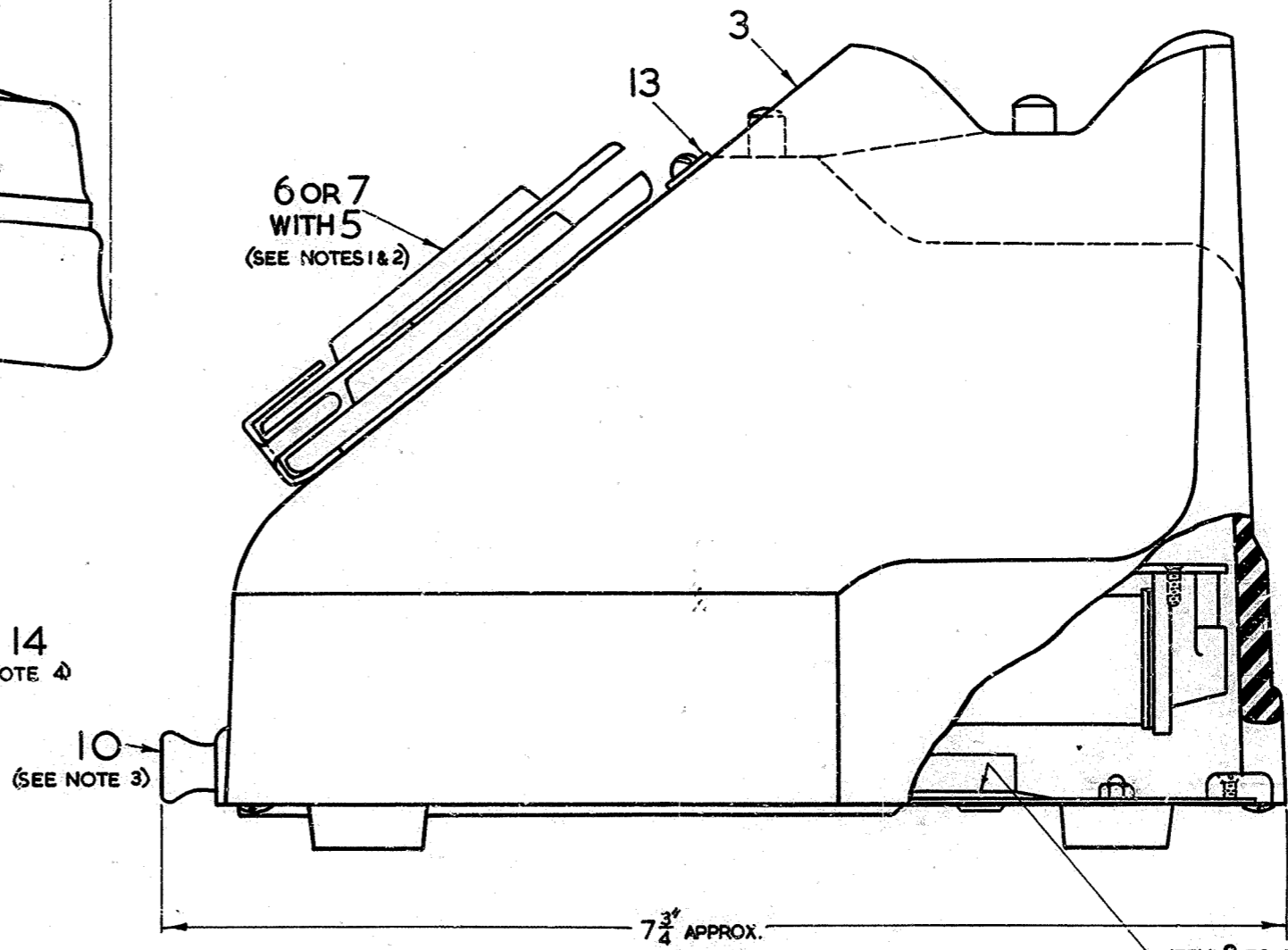


- NOTES :-**
- ITEM 5 ENDS No. 4/SDIO & 2/SDIO CONNECTED SECURELY TO TERMINALS ON DIAL & PART No. 1/SST/57 RESPECTIVELY, & CLIPPED IN POSITION BY PART No. 1/SCL/38 (DRG. 63250).
 - THE DIAL TO BE A GOOD FIT WITHOUT SLACKNESS IN ITEM 3, & SECURED BY FIXING SCREW WELL TIGHTENED.
 - ITEM 10 TO BE AN EASY FIT IN ITEM 1 WITHOUT SLACKNESS.
 - ITEM 14 TO BE FITTED TO ITEM 11 WHERE SHOWN ON DGM. N412.



PART SECTION WITH ITEMS 4 & 9 OMITTED.

ITEM 8 TO BE SECURELY AFFIXED ON ITEM 1 & VARNISHED, OR TO BE DIRECTLY PRINTED BY AN APPROVED PROCESS.

ITEM	DESCRIPTION	DRG.	QUANTITY	
			312F	312L
1	1/SBA/12 (BASEPLATE COMPLETE)	SBA/12	1	1
2	BLOCK, TERMINAL 20/4 (COLOUR)	61228	1	1
3	2/SCA/47 (COLOUR) (CASE COMPLETE FOR MICROTELEPHONE SET)	SCA/47	1	1
4	CORD, INST. 3/62 B (COLOUR) 54"	62149	1	1
5	CORD, INST. 5/28 E 5"	62109	1	1
6	DIAL, AUTO No. 12FA	90158	1	-
7	DIAL, AUTO No. 12LA	90158	-	1
8	LABEL DIAGRAM N412	N412	1	1
9	TELE. No. 164 (COLOUR)(MK2)	9509/1	1	1
10	TRAY D62076 (COLOUR)	62076	1	1
11	SUB-ASSEMBLY 10/63250	63250	1	1
12	LINK, BRASS 1/SL1/4	SL1/4	1	1
13	LABEL No. 252 Q	62519	1	1
14	1/SL1/2 (LINK, BRASS)	SL1/2	2	2

COLOURS :-
BLACK, CHINESE RED, IVORY AND JADE GREEN.

DISTRIBUTION
GENERAL

P.O.

REFERENCES

DRGS.	DGMS.	SPEC. D 1000
SEE SCHED	SEE SCHED.	

ASSEMBLY DRG. WIRING DGM. N 412

FILE S2500 T.A.C. ITEM SPEC. S778S121

SCALE 1 AND AS THIRD ANGLE INDICATED PROJECTION

DECIMAL DIMENSIONS NOT TOLERANCED SUBJECT TO

APP'D. IN S1/1 SECTION DRN. *[Signature]*
H/165. TCD. *[Signature]*
C.K.D. *[Signature]*
DATE 23-3-53.

AMENDMENT SUFFIX

ITEM 12 DELETED. NOTE 3- ITEM 10 WAS INCORRECTLY SHOWN AS ITEM 11. H/165. 2-9-53. **A**

ITEM 9- TELEPHONE No. 164 (MK2) CALLED FOR. H/165. 1.4.54. **B**

SUPERSEDES DRG. 63022/3
TELE. Nos. 310F & 310L (MARK 3A)
CANCELLED.

TELEPHONE No.
312... (COLOUR)
(MARK 3A)