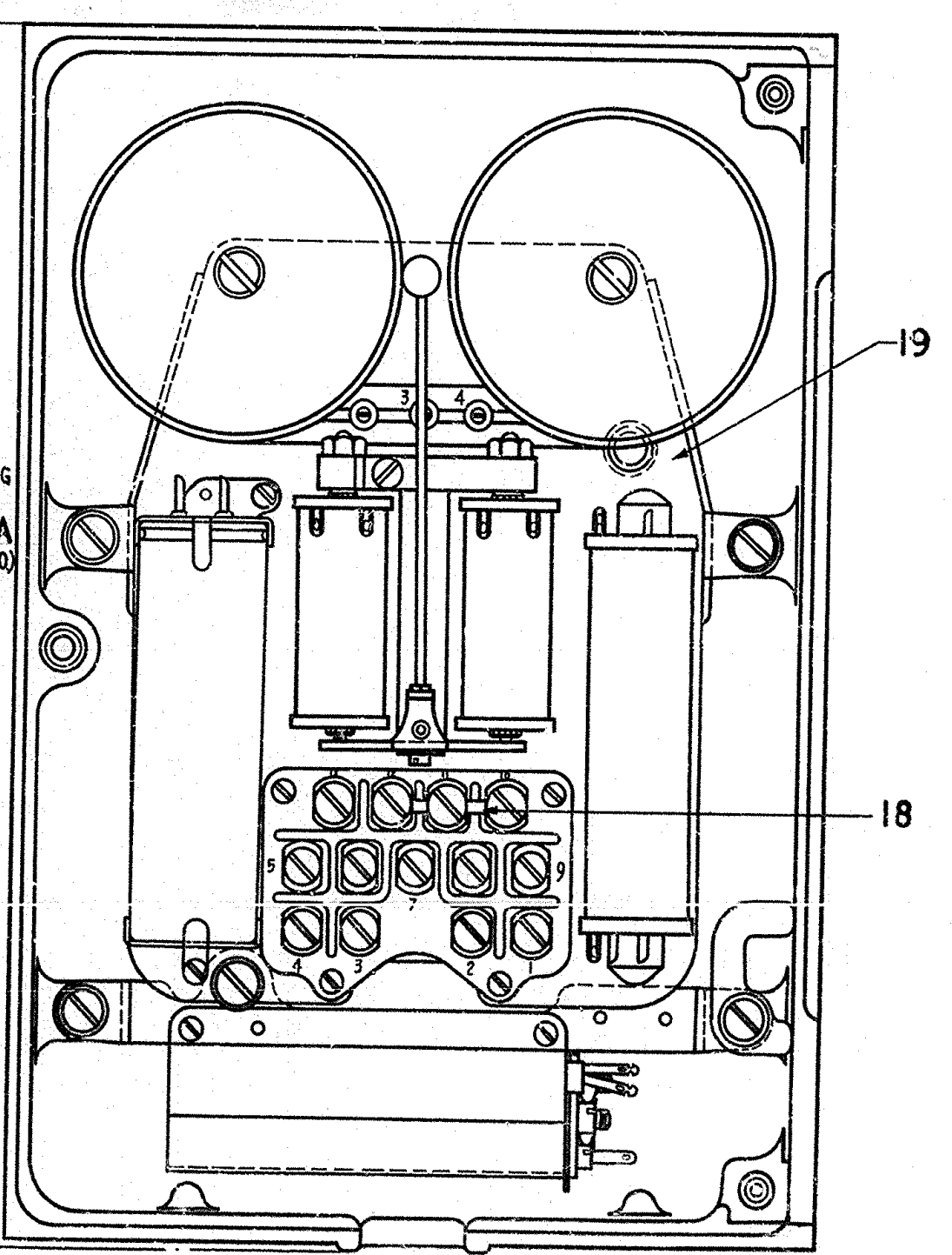
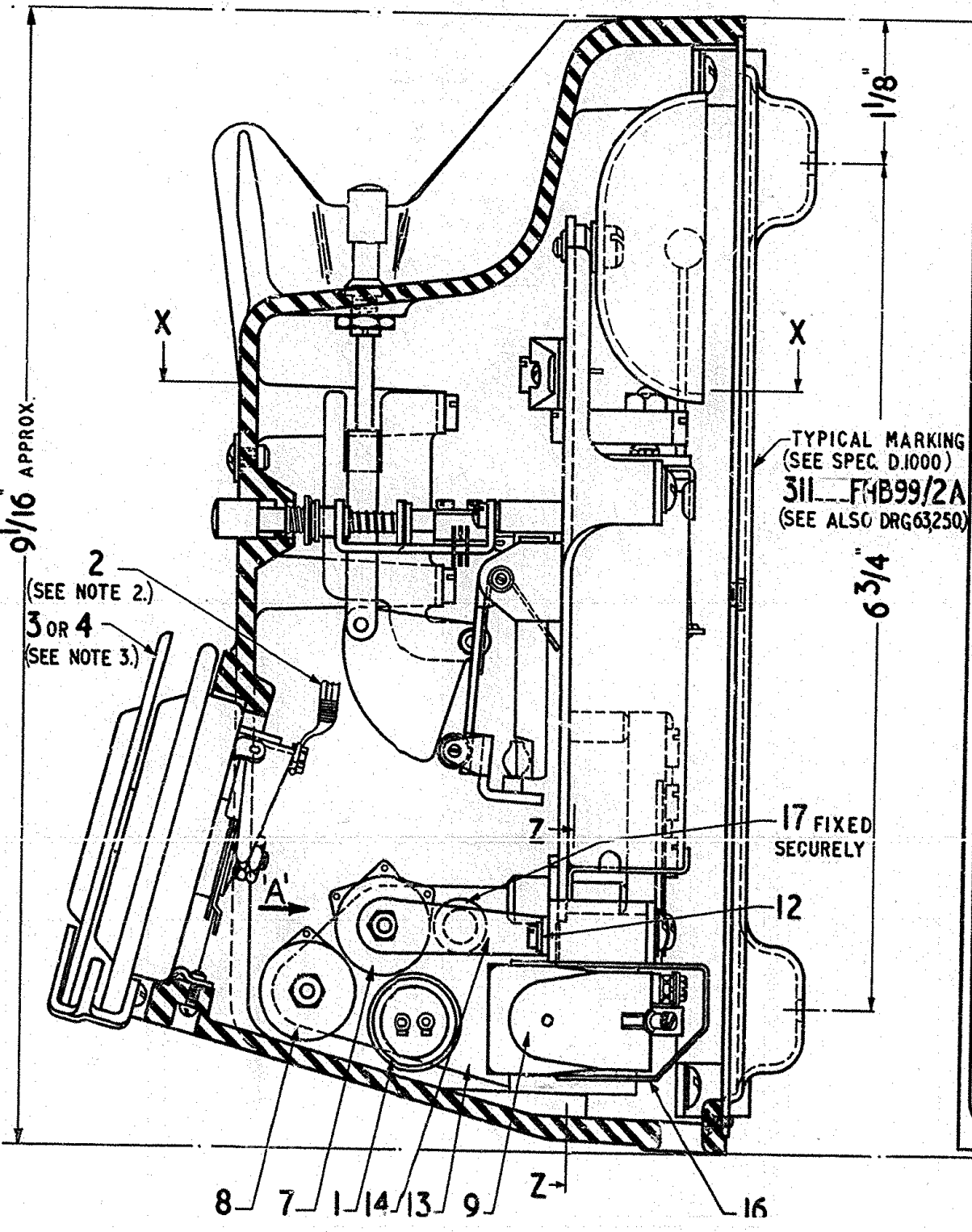
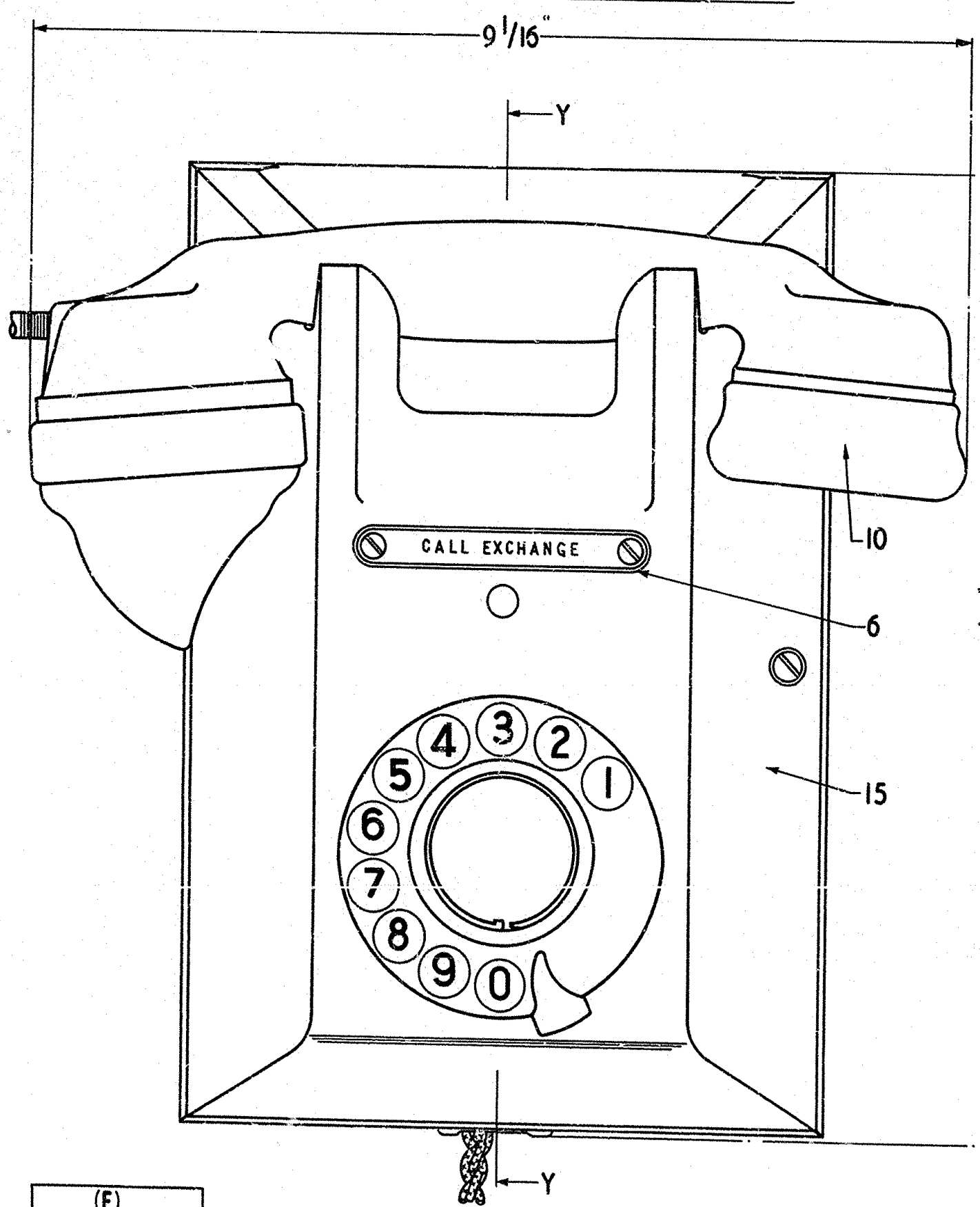
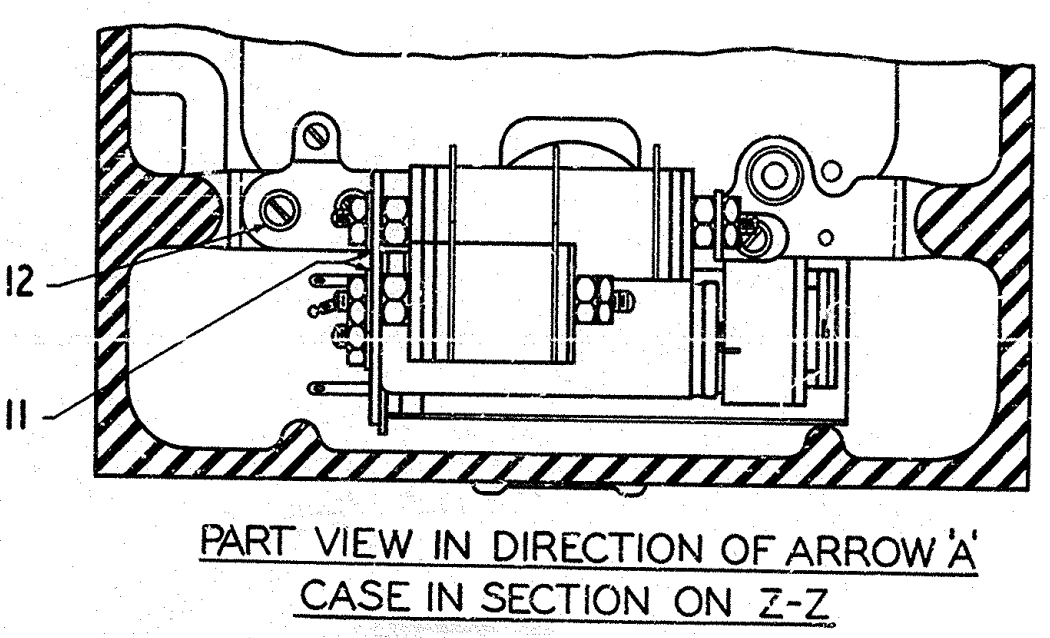
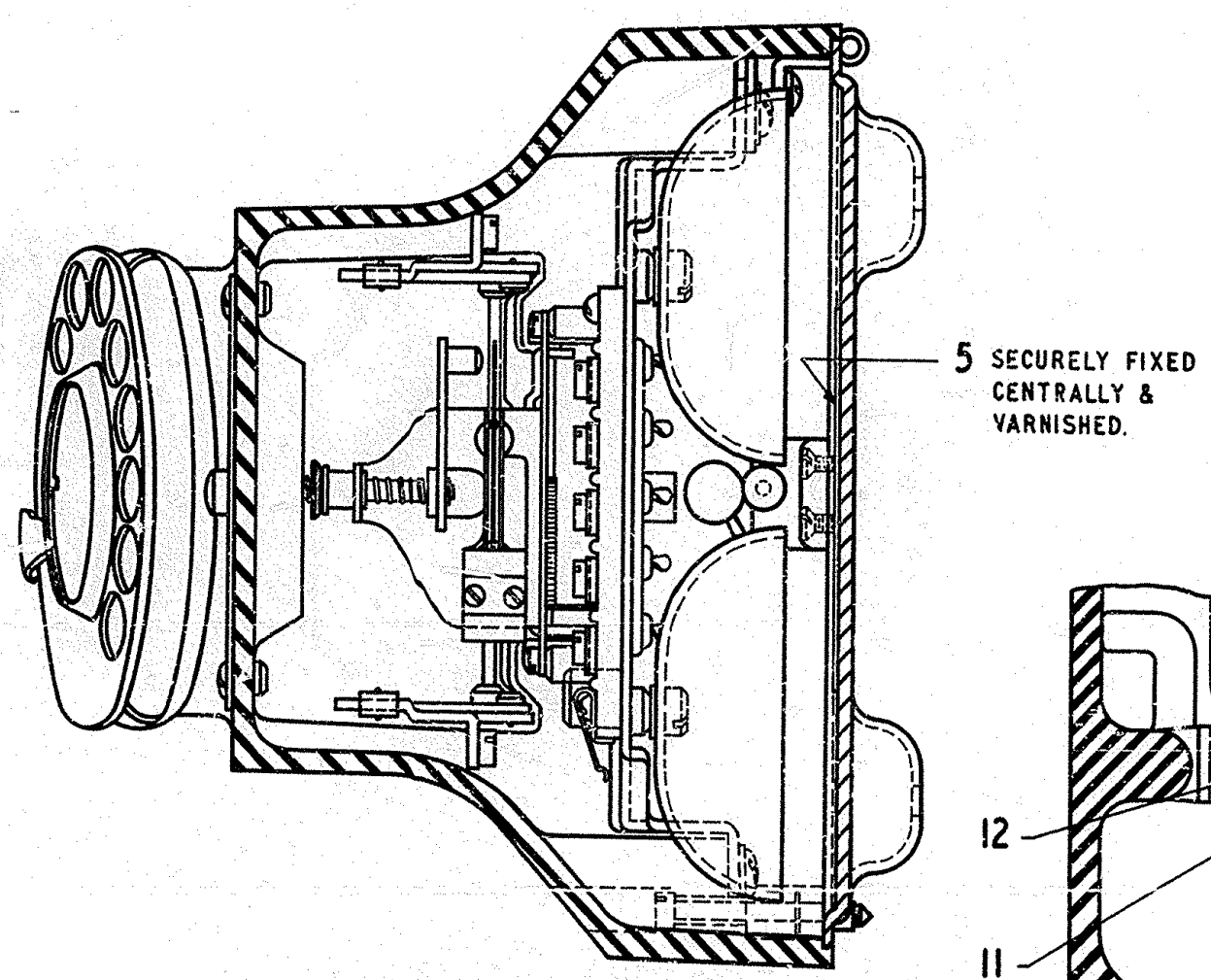
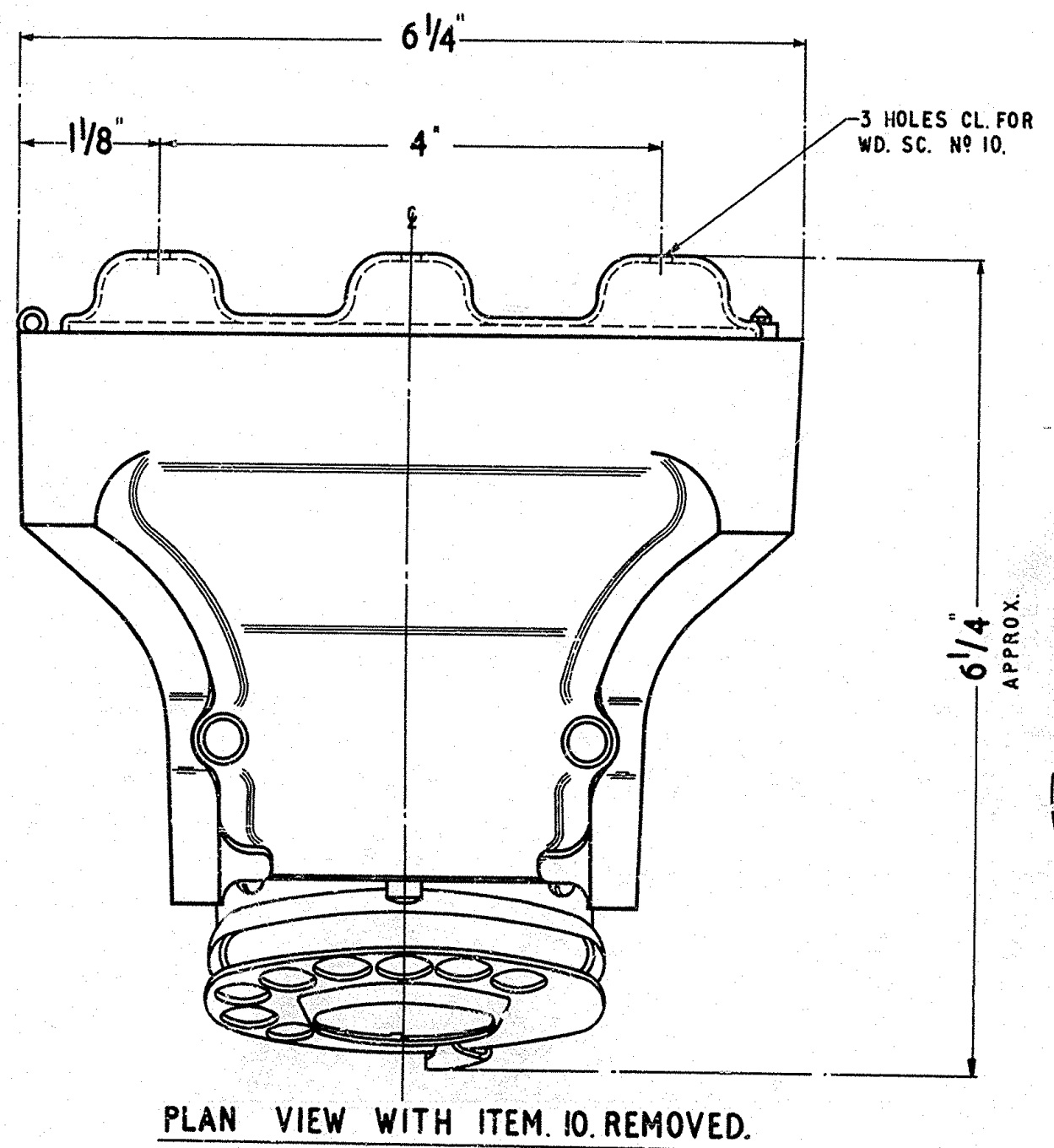


COMPONENTS				SCREWS, ETC.				
ITEM	DESCRIPTION	DRG.	NO OFF	DESCRIPTION	MTL FINISH	NO OFF		
			311F			311F	311L	
1	CAPACITOR, PAPER N° 7510.	CD 665	1					
2	CORD, INST. N° 5/28E 10"	62,109	1					
3	DIAL, AUTOMATIC SS. N° 10.FA.	62,888	1					
4	DIAL, AUTOMATIC SS. N° 10.LA.	62,889	1					
5	LABEL, DIAGRAM. N411.	DGM.411	1					
6	LABEL, N° 252 Q. BLACK.	62,519	1					
7	RECTIFIER, ELEMENT N° 4/6A	CD.58.	1					
8	RECTIFIER ELEMENT N° 1/12A	CD.12.	1					
9	RELAY N° 8552.	9955	1					
10	TELEPHONE N° 164 (COLOUR)(MK2)	9509/1	1					
11	WASHER, LOCKING N° 1910.	SD.52.	2					
12	WASHER, LOCKING. N° 1904.	SD.52.	3					
13	1/DBR/218 (BRACKET, MTG.)	DBR/218	1	SC. 6 BA. X 3/16" CH. HD.	BR NI.P.MT	2	2	
14	1/DBR/224 (BRACKET, MTG.)	DBR/224	1	SC. 6 BA. X 3/16" CH. HD.	BR NI.P.MT	1	1	
15	2/DCA/85 (COLOUR) FOR WIRE TELEPHONE	DCA/85	1					
16	1/DCA/105 (COVER)	DCA/105	1	SC. 3 BA X 1/8" CH. HD.	BR NI.P.MT	2	2	
17	21/SBU/81 (BUSH, INSULATING.)	SBU/81	1					
18	1/SLI/2 (LINK, BRASS) SEE DGM.411	SLI/2	2					
19	6/63250 (SUB-ASSEMBLY)	63,250	1					
WD. SC. N° 10. X 1" RD. HD. WRAPPED IN PAPER & TIED TO TELEPHONE.						MS. BLUED	3	3



- NOTES:-
- ON EARLY SUPPLIES OF THESE TELEPHONES ITEMS 1 & 7 ARE TRANSPOSED.
 - ITEM 2 ENDS 4/SDIO & 2/SDIO CONNECTED SECURELY TO TERMINALS ON ITEMS 3 & 4 & PART 1/SS7/57 RESPECTIVELY & CLIPPED IN POSITION BY PART 1/SLC/38 (SEE DRG.63,250.)
 - ITEMS 3 OR 4 TO BE A GOOD FIT WITHOUT SLACKNESS IN ITEM 15 & SECURED BY FIXING SCREW WELL TIGHTENED.
 - DIMENSIONS ARE FOR REFERENCE PURPOSES ONLY.

(E)
(311F) N1071D1
(311L) N1071D2

COLOURS:- BLACK, CHINESE RED, IVORY & JADE GREEN.

For SUPPLYING ITEM FOR NEW WORK
SEE DRG. 91796 (TELEPHONE No. 711L)

TELEPHONE
N° 311F. (COLOUR)
& 311L. (COLOUR)
(MARK. 2A.)

DRG 90116