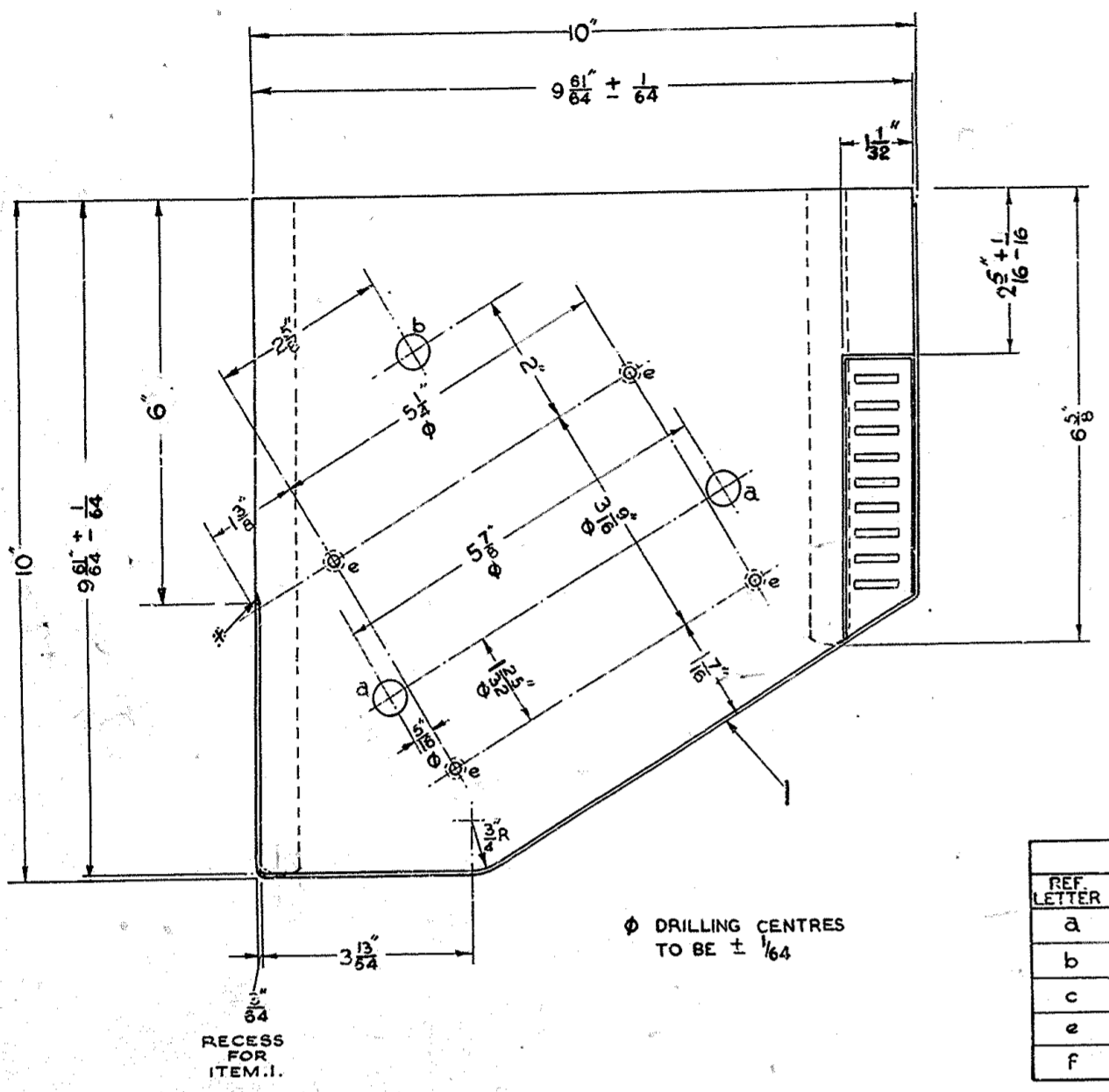


POST OFFICE ENGINEERING DEPT.
E-IN-C'S OFFICE S BRANCH
DISTRIBUTION RESTRICTED
REFERENCES
SPEC. D1000
ASSEMBLY DRG. WIRING DGM.
FILE S811/B SPEC. D1475
SCALE - 1/2" AND AS THIRD ANGLE INDICATE
FRACTIONAL DIMS. NOT TOLERANCED SUBJECT TO 1/32"
APP'D IN S1/3 SECTION DRN *[Signature]*
TCD *[Signature]*
CHD *[Signature]*
DATE 3.2.51
AMENDMENT SUFFIX
FORMERLY SHOWN ON DRG. 60577 SH 3-3
CONTAINER No. 1. DIM. 5 1/2" X 1 1/2" WAS INCORRECTLY SHOWN DIM. 10" ADDED. U.S. G. WAS 5/16".
CONTAINER No. 2. DIM. 10" X 10" WAS 10" X 10" U.S. G. WAS 1/2".
CONTAINER No. 4. DIM. 10" X 10" WAS 10" X 10" U.S. G. WAS 1/2".
CONTAINER No. 152 NOTE RE-RUNOUT ADDED.
GENERAL LIMIT WAS ± 1/64"
EDGE OF END MEMBERS DIMENSIONED.
[Signature] 8-10-52

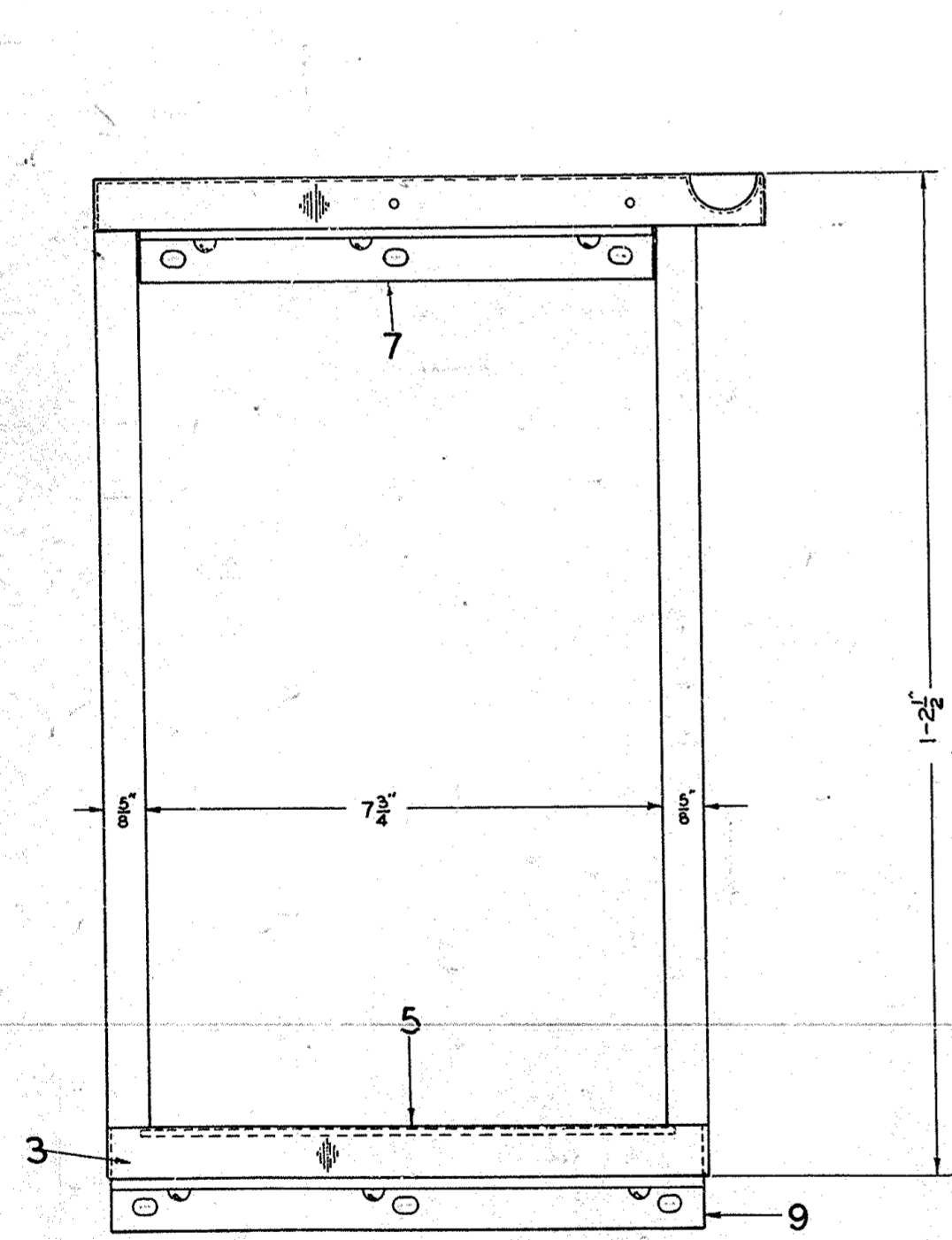
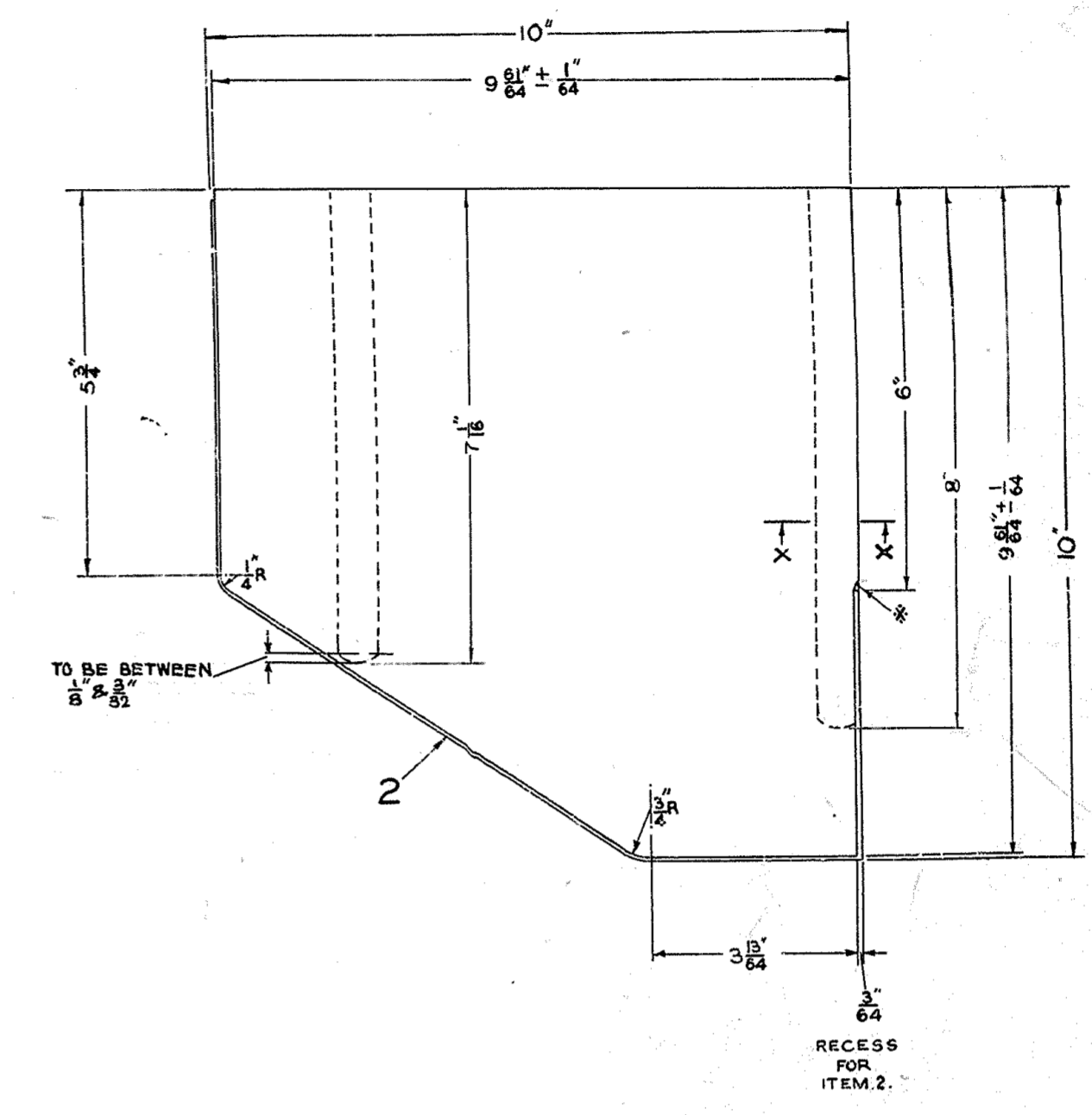
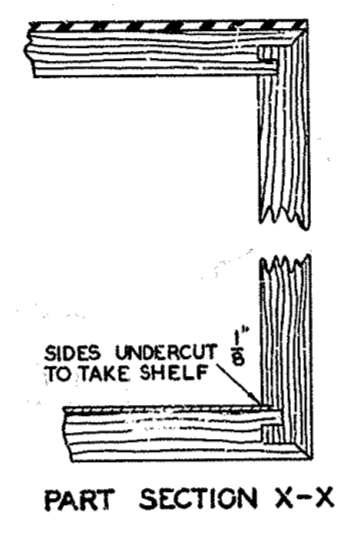


SCHEDULE										
COMPONENTS					SCREWS, ETC.					
ITEM	DESCRIPTION	DRG	SPEC.	No. OFF	DESCRIPTION	MTL.	FINISH	No. OFF	No. OFF	
				No. 1.	No. 2.			No. 1.	No. 2.	
1	STRIP No. 1	90072		1	—	WD. SC. No. 2 x 1/8 CSK. HD.	S.S.	POLISHED	2	—
						" " No. 5 x 3/8 " "	"	"	3	—
						BRAD. 1/8 x 3/8 " "	"	"	4	—
2	" No. 2	"		1	—	WD. SC. No. 5 x 1/8 CSK. HD.	"	"	2	—
						BRAD. 1/8 x 3/8 " "	"	"	4	—
3	" No. 3	"		1	—	WD. SC. No. 5 x 1/8 CSK. HD.	"	"	2	—
						BRAD. 1/8 x 3/8 " "	"	"	4	—
4	" No. 4	"		1	—	WD. SC. No. 5 x 1/8 CSK. HD.	"	"	2	—
						BRAD. 1/8 x 3/8 " "	"	"	3	—
5	SHELF No. 1.	90073		1	—					
6	" No. 2	"		1	—					
7	DETAIL 1.	90077		1	—	YD. SC. No. 6 x 3/8 RD. HD.	M.S.	BLK. LAC.	5	—
8	" 2	"		1	—	" " " " " "	"	"	4	—
9	" 3	"		1	—	" " " " " "	"	"	3	—
10	" 4	"		1	—	" " " " " "	"	"	4	—

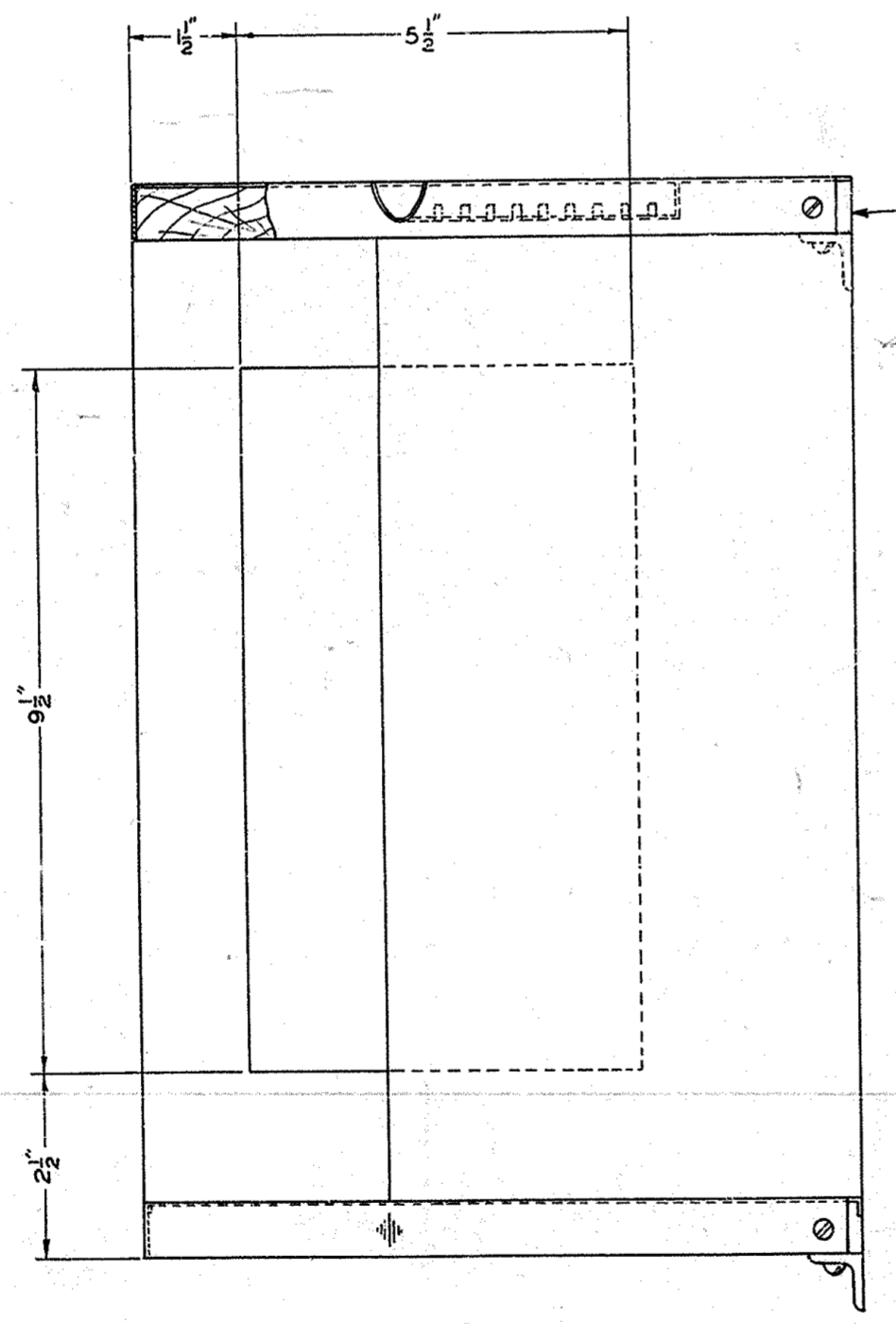
DRILLING SCHEDULE	
REF. LETTER	DRILLING
a	1/8"
b	1/8" D. EDGES WELL ROUNDED.
c	2/16" D & ELONGATED 1/16"
e	3/16" D & CBR 3/16" DEEP ON UNDERSIDE
f	CL. FOR No. 6 WD. SC.

MATERIAL: - } SEE SPEC.
FINISH: - }

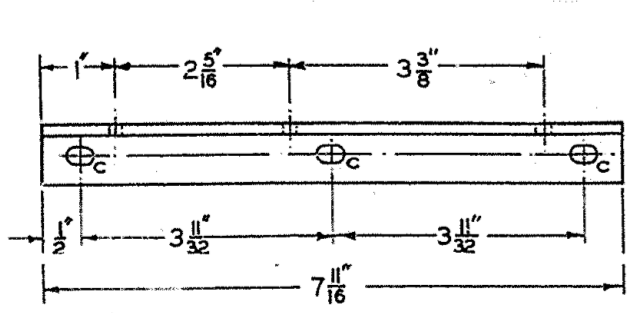
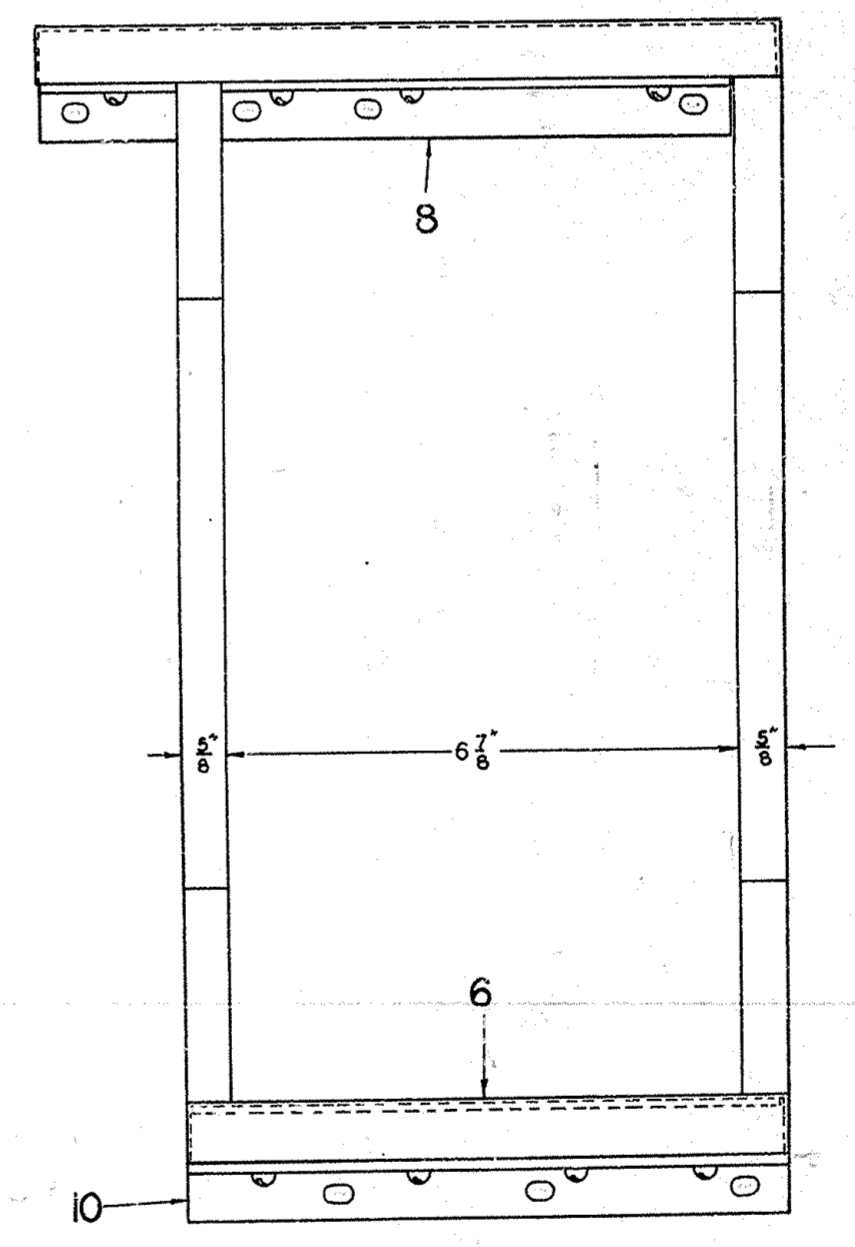
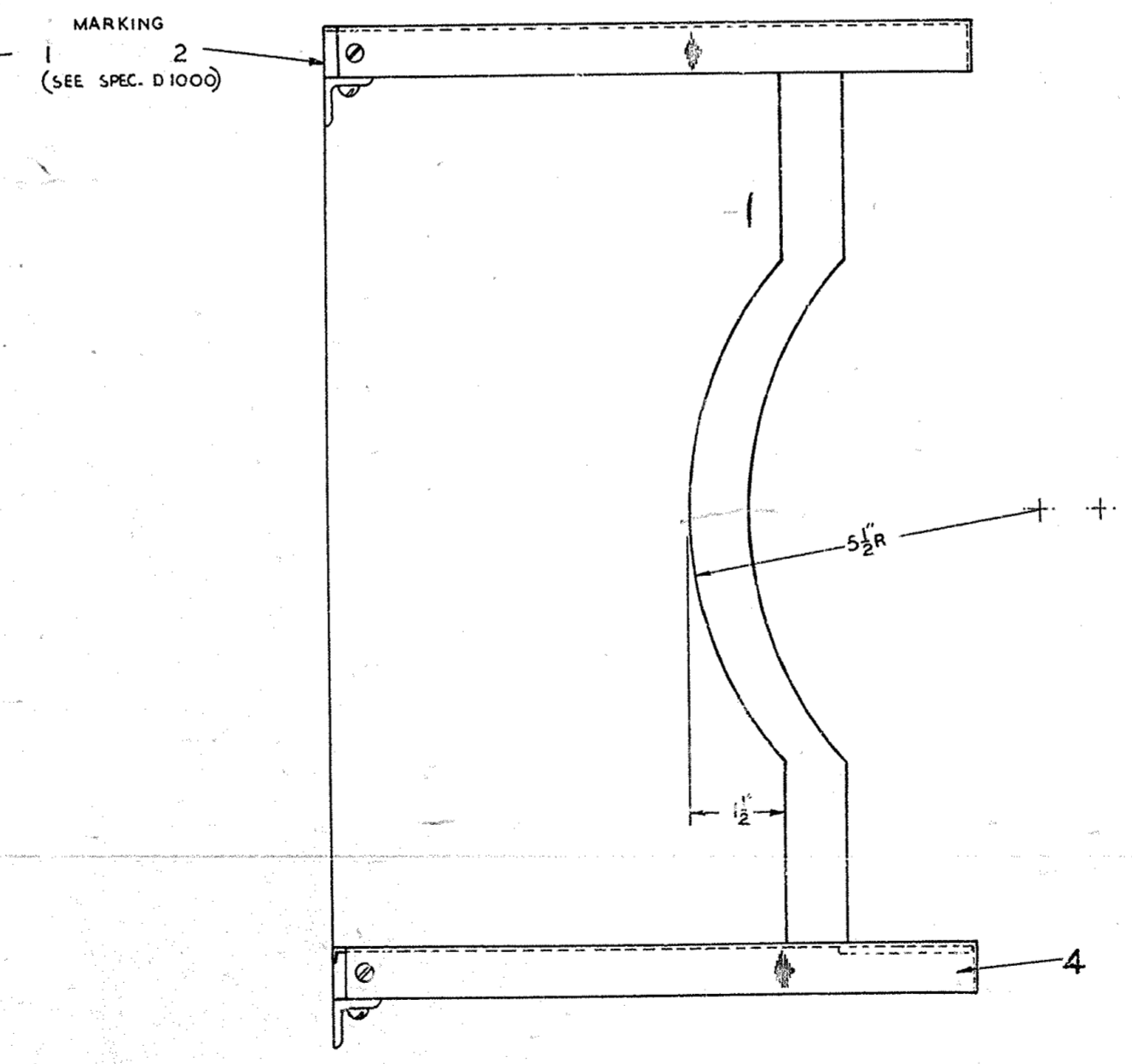
* CORNER OF CUT OUT MAY BE MADE SQUARE OR 1/8" RUN OUT TO SUIT MANUFACTURING METHOD OF CONTRACTOR.



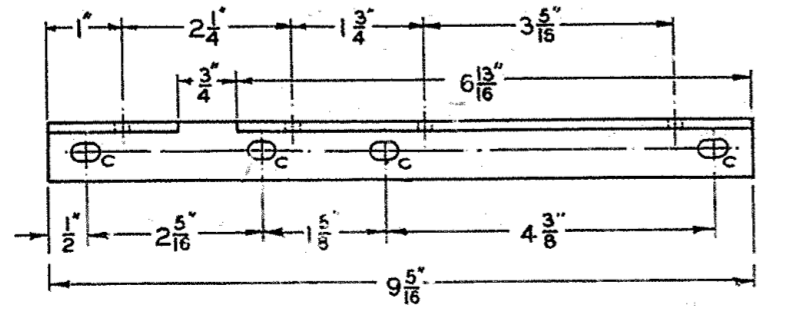
CONTAINER No. 1.



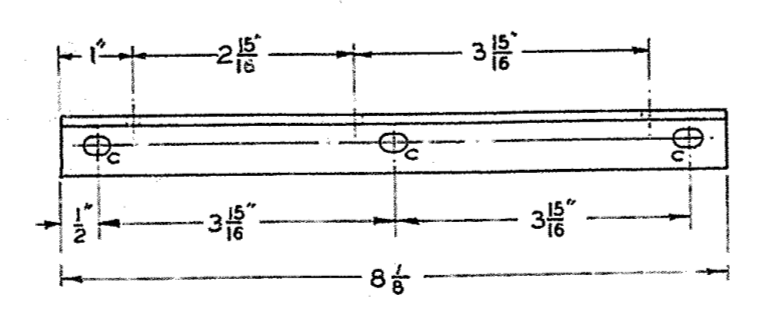
CONTAINER No. 2.



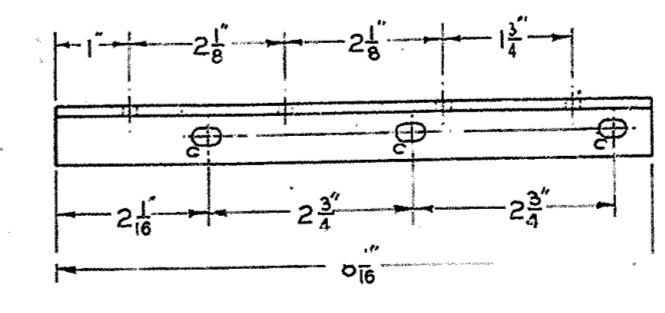
1. MATERIAL: - ANGLE M.S. 3/8" X 3/8" X 1/8"
FINISH: - PARKERISED & STOVE ENAMELLED BLACK, 2 COATS.



2. MATERIAL: - } AS DETAIL 1.
FINISH: - }



3. MATERIAL: - } AS DETAIL 1.
FINISH: - }



4. MATERIAL: - } AS DETAIL 1.
FINISH: - }

DO NOT SCALE
(A MICROFILM PROCESS PRINT)

FOR SUPERSET

CONTAINERS,
Nos. 1 & 2.

DRG 90077