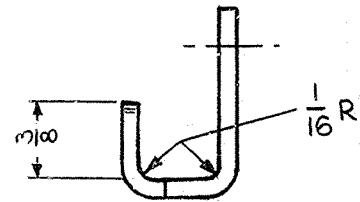
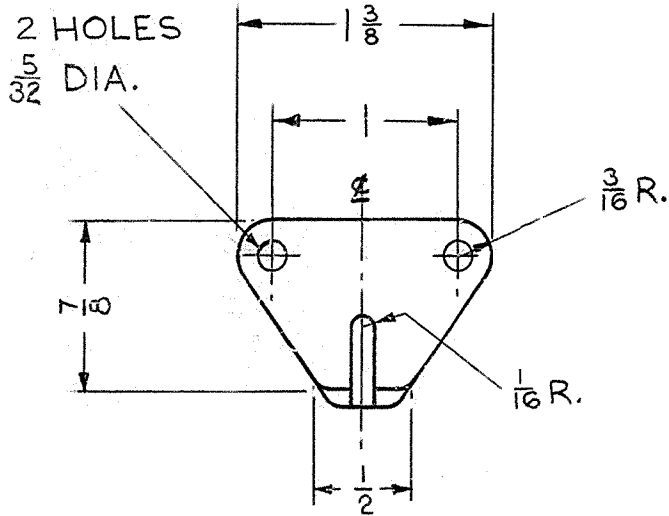
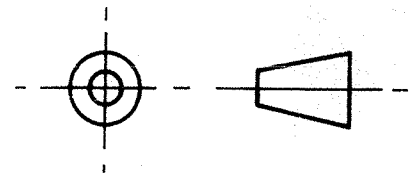
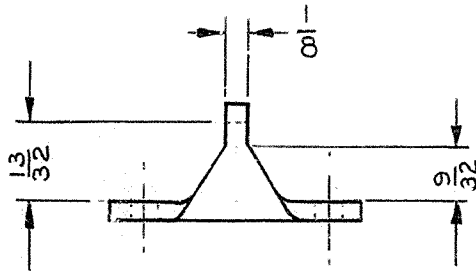


ORIGINAL FRAME SIZE 175mm x 267mm

THIRD ANGLE PROJECTION



ALL SHARP EDGES
TO BE REMOVED



DIMENSIONS IN INCHES

DO NOT SCALE
REFERENCES

AMENDMENT

ISSUE

A4	DRN F.U. CKD <i>Dea</i>	MATERIAL BRASS 13 SWG (.092)	FINISH NICKEL PLATE
	CERTIFICATION <i>McBrewin</i> <i>14</i>	HOOK RECEIVER AJ	
A4	DATE 18-7-68		

POST OFFICE TELECOMMUNICATIONS
HEADQUARTERS TD 2.1. SECTION

71328