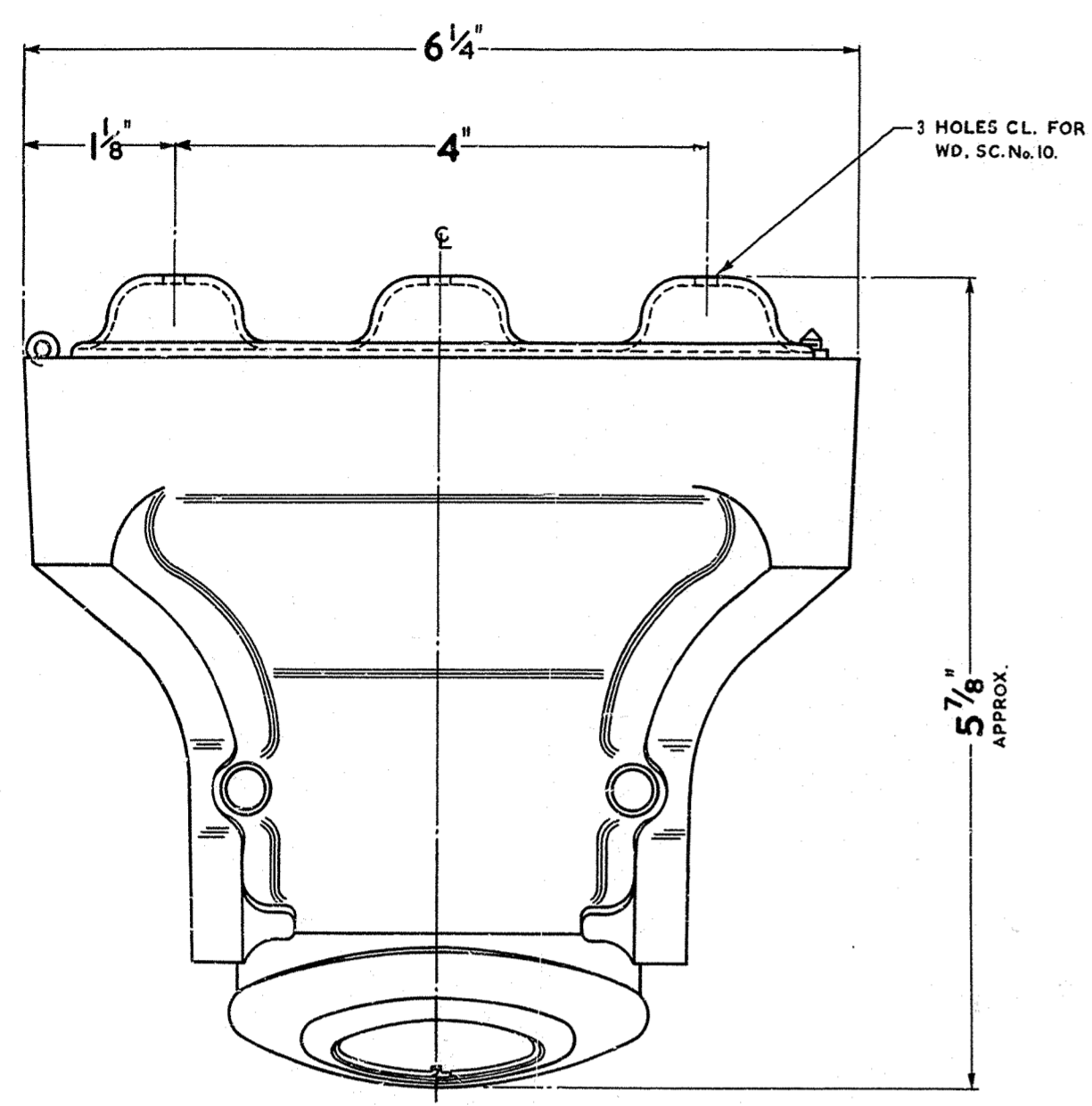
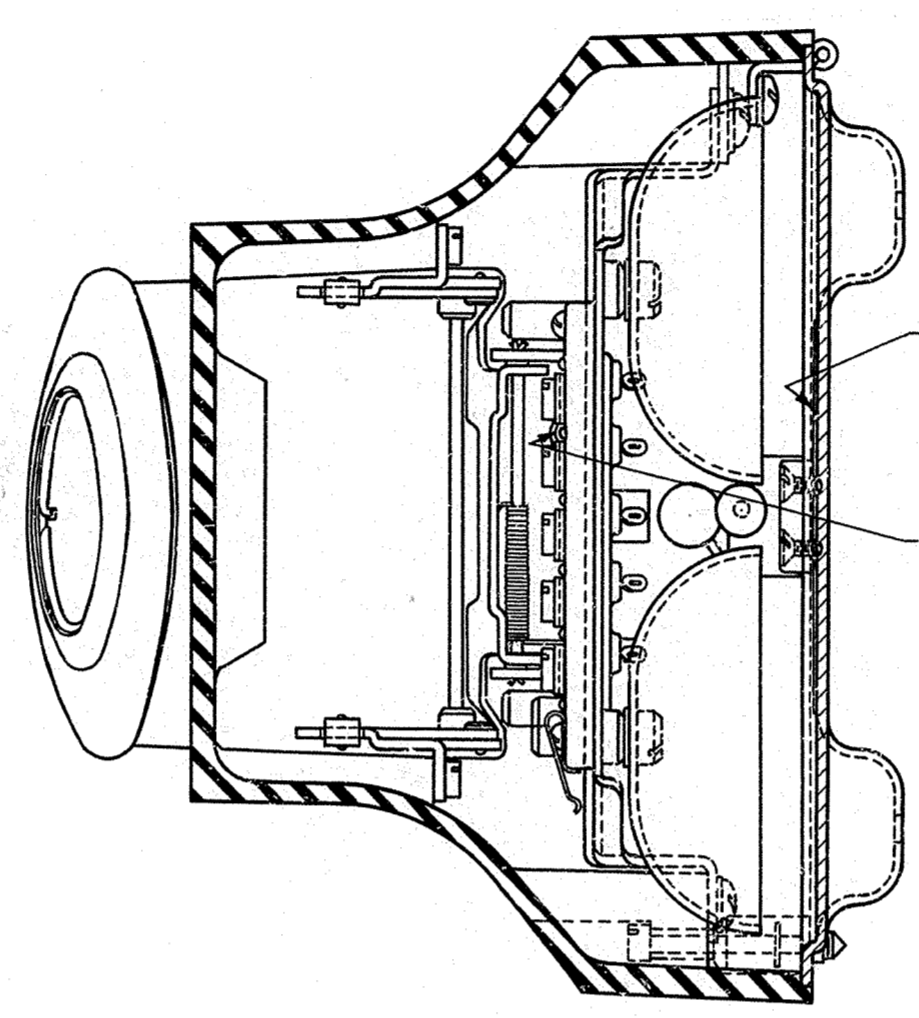


COMPONENTS				SCREWS ETC.			
ITEM	DESCRIPTION	DRG.	Nº OFF	DESCRIPTION	MTL.	FINISH	Nº OFF
1	DIAL, AUTOMATIC, DUMMY Nº3 (COLOUR)	62952	1				
2	TELEPHONE Nº 164 (COLOUR) (MK. 2.)	9505/1	1				
3	LABEL DIAGRAM, SEE N 499.	DGM. N499	1				
4	1/4" DCA/85 (COLOUR) (CASE COMPLETE FOR WALL TELEPHONE)	DCA/85	1				
5	1/2" SLI/2 (LINK BRASS) SEE DGM. N499	SLI/2	4				
6	1/63,250 SUB-ASSEMBLY	63,250	1				
				WD. SC. Nº. 10. x 1" RD. HD. WRAPPED IN PAPER & TIED TO TELEPHONE	MS. OR BR.	BLUED OR CLEANED	3

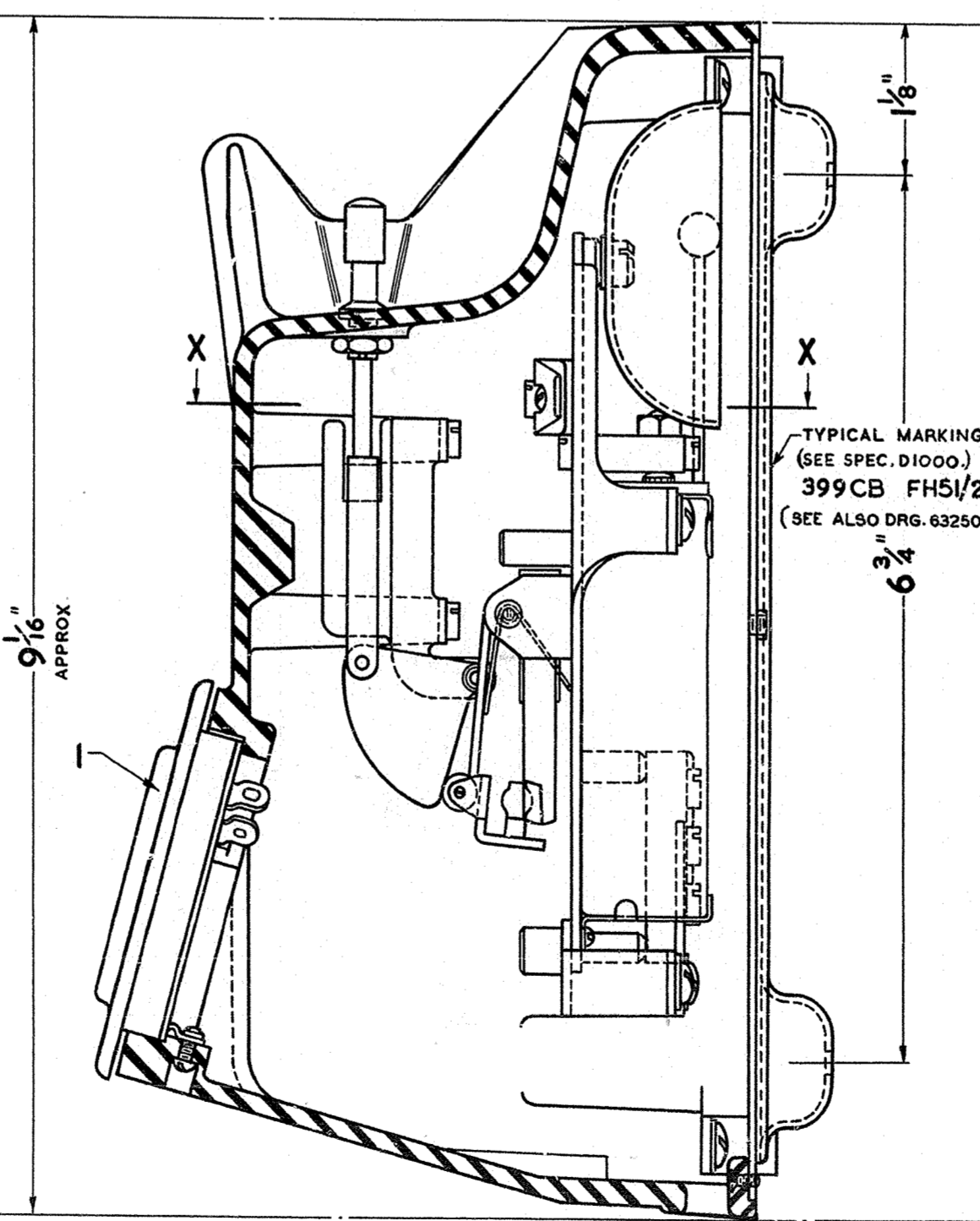
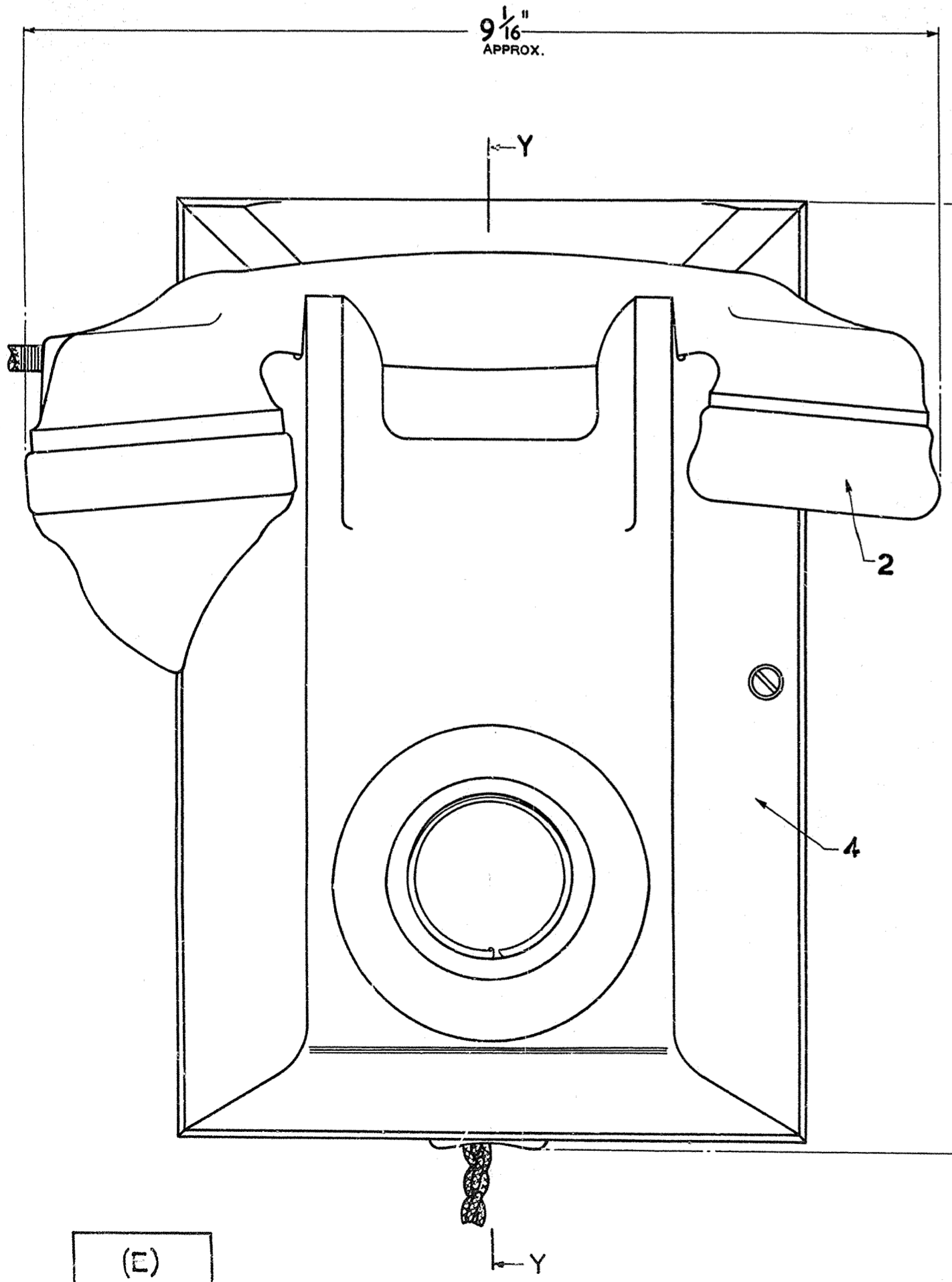


PLAN VIEW WITH ITEM 2 REMOVED.

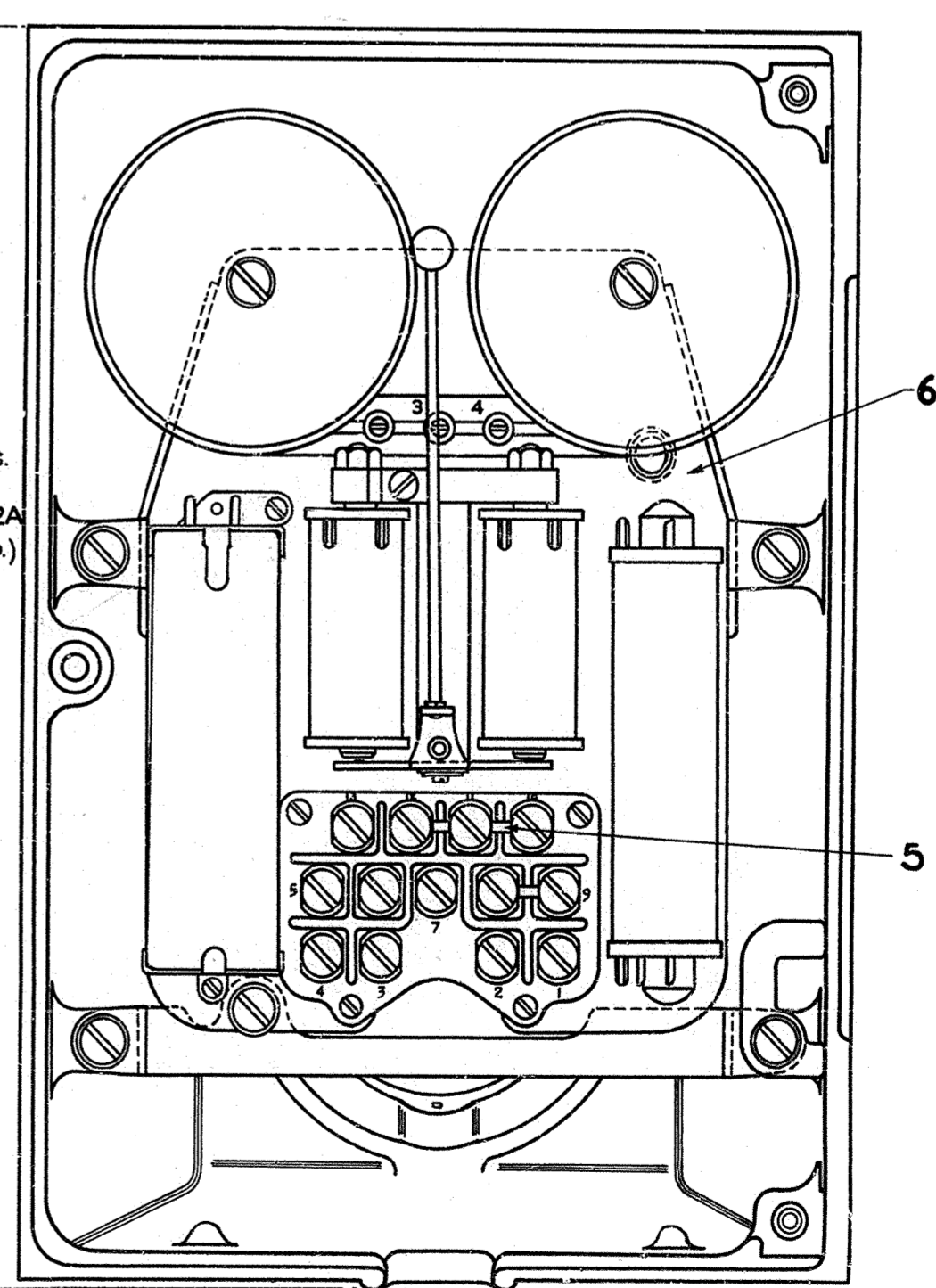


SECTION X-X

NOTE 1/ ITEM 1 TO BE A GOOD FIT WITHOUT SLACKNESS IN ITEM 4 & SECURED BY FIXING SCREW WELL TIGHTENED.
2/ DIMENSIONS ARE FOR REFERENCE PURPOSES ONLY.



COVER IN SECTION ON Y-Y



VIEW WITH BACK REMOVED

(E)
N1421A

COLOURS :- BLACK, CHINESE RED, IVORY & JADE GREEN.

FOR SUPERSED

TELEPHONE
Nº 399CB (COLOUR)
(MARK 2A)