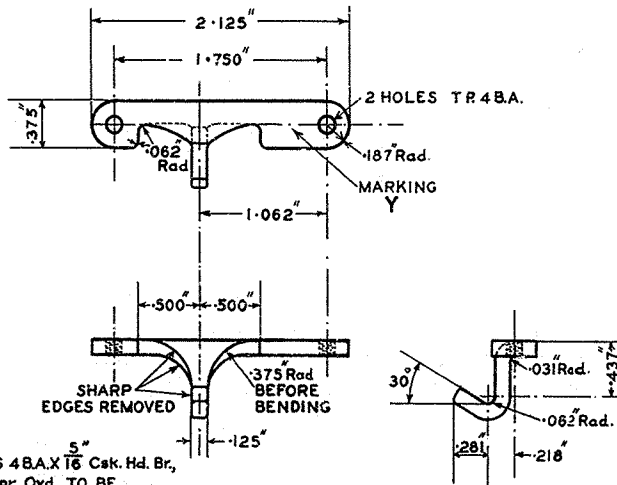


Trim to these lines.

13x8"

E-in-C.438.

POST OFFICE ENGINEERING DEPT. ENGINEER-IN-CHIEF'S OFFICE.		
HOOK, RECEIVER "Y"		DRG. 63,729
SPEC'N: —		
Suffix.	Amendment.	Drawings Diagrams & Spec'ns.
A	Screws supplied were Csk. Hd. NI. P. Mt. E.S. A3/2234. U. C. P. 29-3-28	Scale :- +
		Drawn. } W.D.P. Traced. }
		Checked. } J.P. Date. 1-11-37
		App'd. } in S Branch.
		<i>J. Mahdock</i>
		Spec. D. 1000



NOTE:-

2 SCREWS 4 B.A. X 1/8" Csk. Hd. Br,  
FINISH Cpr. Oxd., TO BE  
SUPPLIED WITH EACH  
HOOK, REC'R & SCREWED  
WELL HOME INTO TAPPED  
HOLES.

MATERIAL:- BRASS, HALF HARD. .125"

FINISH:- NI. P. POL. (MIN. THICKNESS .005) OR GILDED.