

DRG 63403 SHT. 1-2

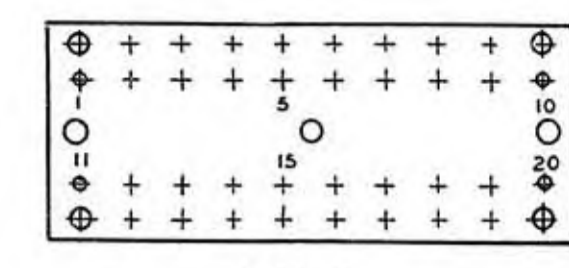
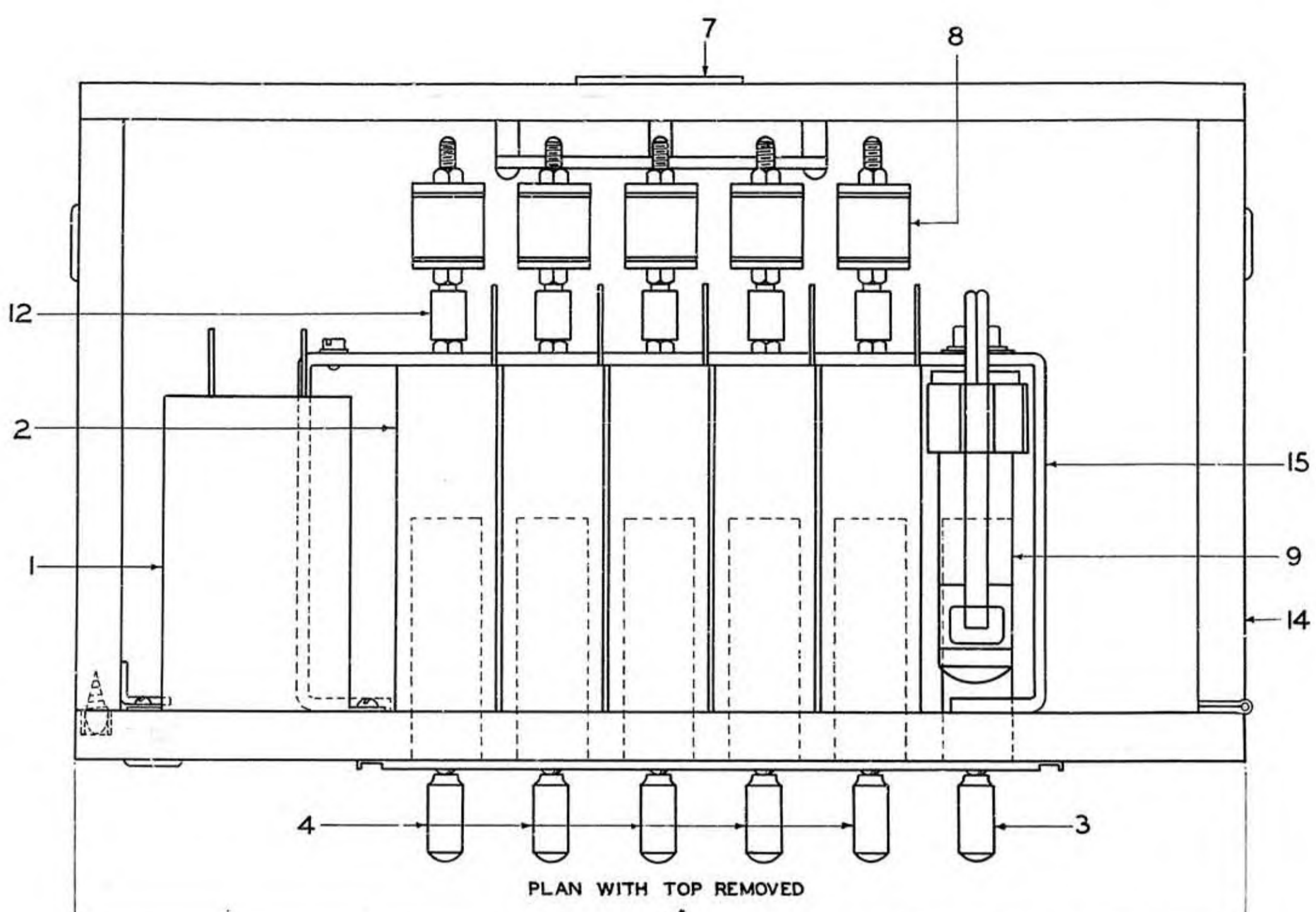


FIG. 1.
ENGRAVING ON ITEM 13 TO BE 13C.

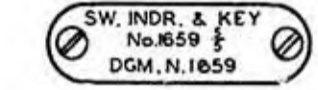
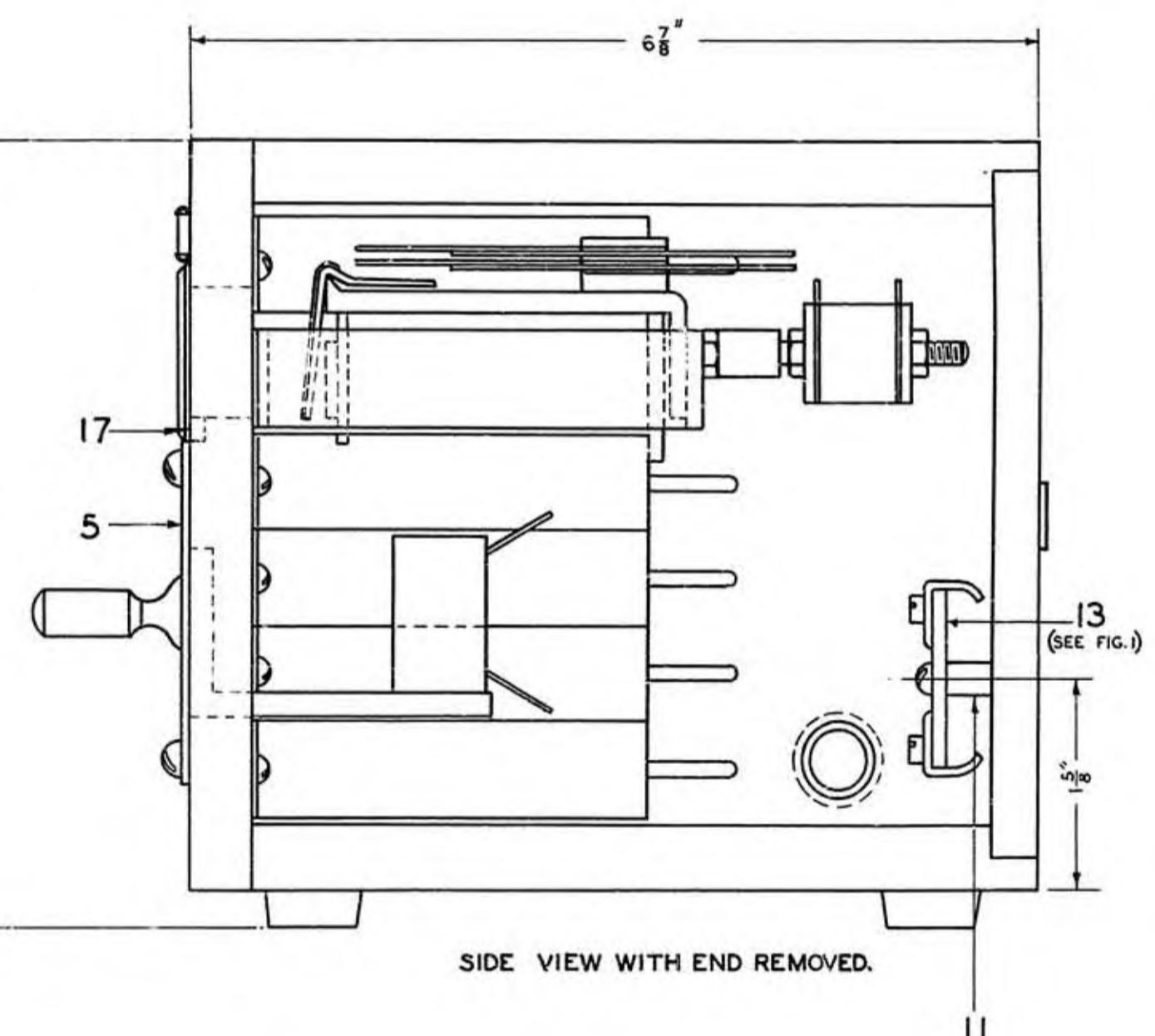
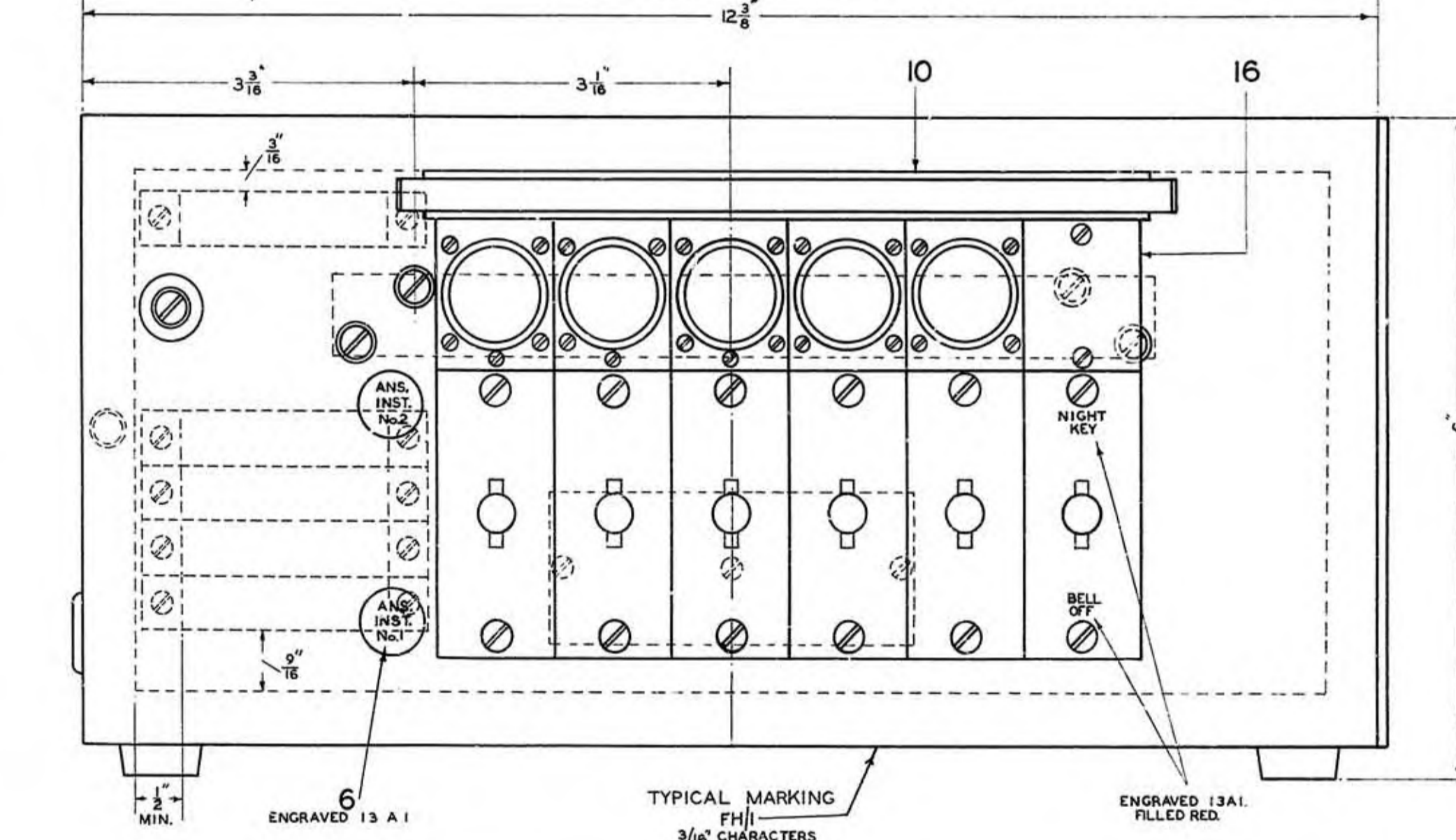


FIG. 2.
ENGRAVING ON ITEM 7 TO BE 13A.



COMPONENTS			SCREWS, ETC.						
ITEM	QTY. CODE	DESCRIPTION	DRG.	SPEC.	No. OFF.	DESCRIPTION	MTL.	FINISH	No. OFF.
1		CAPACITOR M.C. No. 152 A	972.4	5	5	WD. SC. No. 6 X 3/8" RD. HD.	M.S.	Z.N. P.	10
2		INDICATOR No. 3100 A2	808.7	5	5				
3		KEY No. 212 (RED)	8013.6	1	1				
4		KEY No. 236 (BLACK)	8014.3	5	5				
5		KEY MOUNTING Q	824.16	6	6	WD. SC. No. 6 X 3/8" RD. HD.	M.S.	BLK. LAC.	12
6		LABEL No. 120 (WHITE)		2	2				
7		LABEL No. 184	825.56	1	1	WD. SC. No. 4 X 1/4" CSK. HD.	B.R.		2
8		RECTIFIER-ELEMENT No. 1/6A	CD 12.	5	5				
9		RELAY No. 127 B	768.3	1	1				
10		STRIP DESIGNATION No. 8A	824.74	1	1	WD. SC. No. 3 X 3/8" RD. HD.	M.S.	Z.N. P.	3
11		5/SBU/22 (BUSH METAL)	884.22	2	2				
12		13/SPO/5 (POST FIXING)	SPC/5	5	5				
13		2/SST/68 (STRIP CONNEXION)	557.68	1	1	WD. SC. No. 4 X 3/4" RD. HD.	M.S.	Z.N. P.	3
14		DETAIL 1 (CASE)	834.03	1	1	SC. 4 B.A. X 5/8" CSK. HD.	M.S.	BLK. LAC.	4
15		DETAIL 2 (BRACKET)	834.03 SHT. 2	1	1	SC. 4 B.A. X 1/4" CH. HD.	B.R.	NI. P. MT.	1
16		DETAIL 3 (PLATE)		1	1	WASHER 4 B.A. LARGE	B.R.	NI. P. MT.	1
17		DETAIL 4 (STRIP)		1	1	WD. SC. No. 2 X 1/4" CSK. HD.	M.S.	BLK. LAC.	2
				1	1	SC. 8 B.A. X 3/16" INST. HD.	B.R.	BLK. LAC.	5

NOTE:-
1. A COPY OF DGM. N 1659 TO BE SUPPLIED WITH EACH SET.

POST OFFICE ENGINEERING DEPT
E-IN-C'S OFFICE S BRANCH

DISTRIBUTION
RESTRICTED

SEE SCHED. REFERENCE

ASSEMBLY DRG. WIRING DIAG. N 1659

FILE S 1441 SPEC. —

SCALE — I AND AS. THIRD ANGLE PROJECTION

DECIMAL DIMENSIONS NOT TOLERANCED SUBJECT TO

APP'D BY S1/S SECTION DFN. A.H.
F.J.J. TCD. A.H.
F. REID. DATE 12. 2. 38

AMENDMENT SUFFIX

REDRAWN. ITEM 10 & SHEET 2 ADDED. A
MAG. MARKING N.E.S. AND N. 2. 38

BACK OF CASE WAS 1/4" THICK. B
ITEM 1:- CAPACITOR M.C. No. 152A WAS No. 152

SIDE VIEW:- DIM. 6 3/8" WAS 6 1/2" 11-4-38

TITLE RE-CODED. C
M.S. 15. 12. 37

FOR SUPPLIES

SWITCH, INDICATOR & KEY N1659 1/2 MAHOGANY MARK I

SWITCH, INDICATOR & KEY N1659 1/2 OAK MARK I (ASSEMBLY)

DRG 63,403 SHT. 1-2