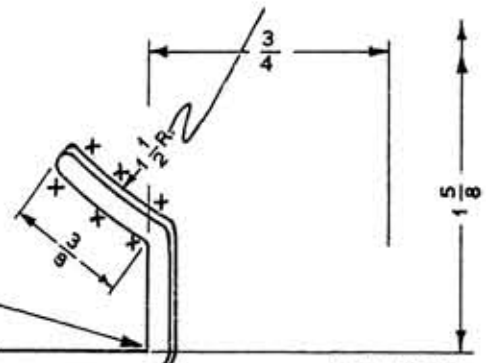


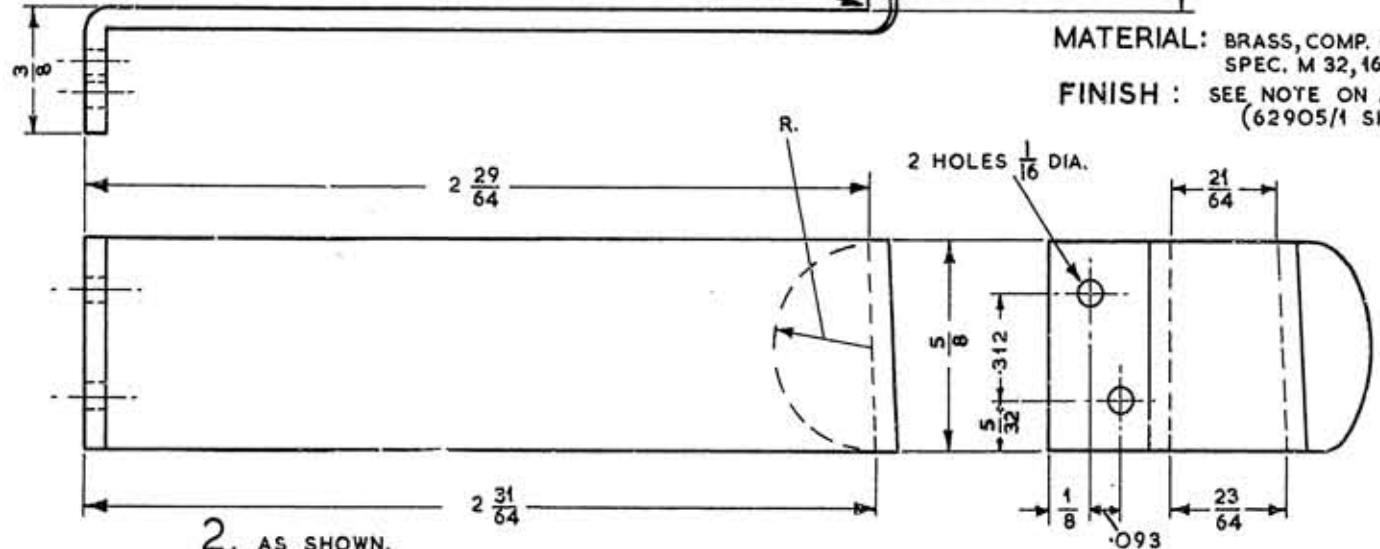
- MATERIAL: BRASS, COMP 1, HARD, SPEC. M 32, 13S.W.G. (.092)
FINISH: SEE NOTE ON ASSEMBLY DRG. (62905/1 SHEET 1)

NOTE. EDGES WELL ROUNDED WHERE SHOWN
THUS X X X.

CORNER TO BE SHARP



- MATERIAL: BRASS, COMP. 1, HALF HARD,
SPEC. M 32, 16S.W.G. (.064)
FINISH: SEE NOTE ON ASSEMBLY DRG.
(62905/1 SHEET 1)



- AS SHOWN.
- AS SHOWN BUT OPPOSITE HAND.

DIMENSIONS IN INCHES.

POST OFFICE ENGINEERING DEPT.
BRANCH

DISTRIBUTION
GENERAL

REFERENCES

SPEC. D 1000
" M 32

ASSEMBLY DRG.
62905/1 SHEET 1 WIRING DGM.

FILE SPEC.

SCALE: - 2/1 AND AS INDICATED
THIRD ANGLE PROJECTION

DECIMAL DIMENSIONS NOT TOLERANCED
SUBJECT TO

APP'D. IN S1A/2 SECTION DRN. D. J. B.
TCD. M. R. A.
CKD. *[Signature]*
DATE 17. 6. 58

AMENDMENT SUFFIX

DIAMETER OF FIXING HOLES WERE
5/64 S.G. *[Signature]* 16. 1. 59
A

FOR SUPERSED

HOOK, RECEIVER
X.

DETAILS 1-3

DRG. 62905/1 SHEET 2

TRIM TO THESE LINES 13" X 16"

-IN-C.147
EN. GEN. D0032

S/D.O.

MASTER