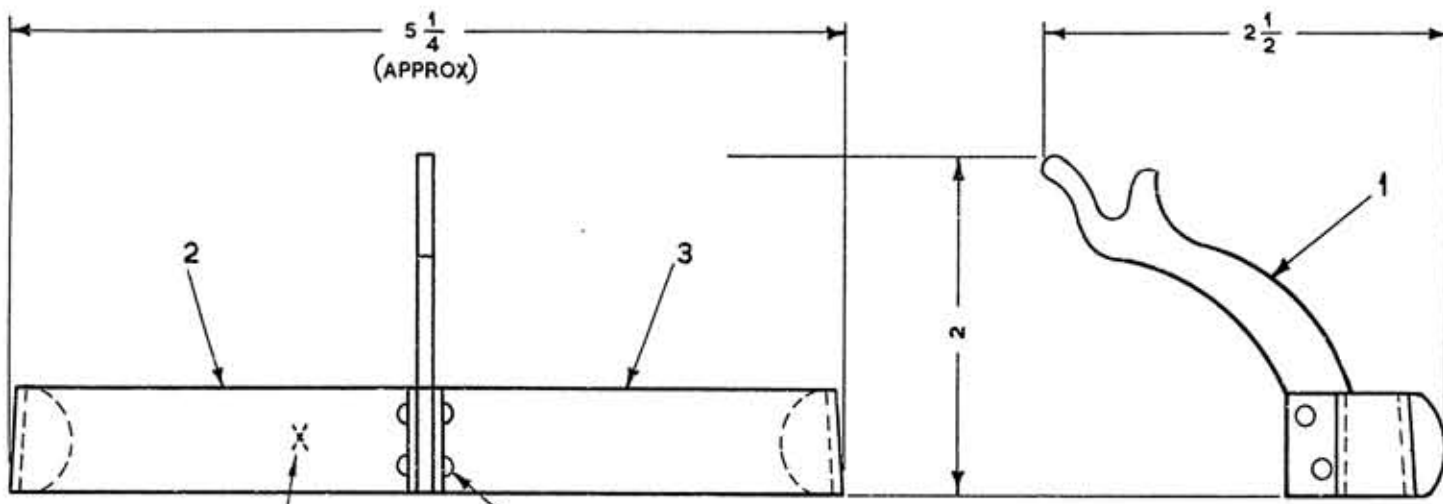
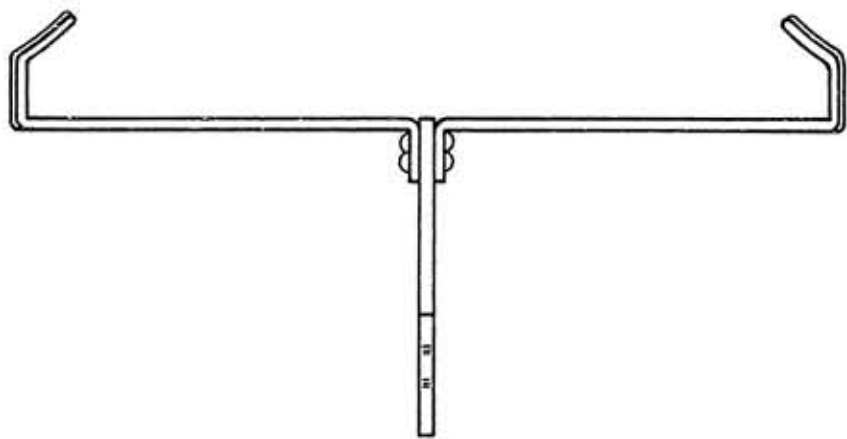


IN-C.147  
EN, GEN, D0032

S/D.O.

DRG. 62905/1 SHEET 1-2



MARKING (SEE SPEC. D1000) ON INSIDE SURFACE.  
DETS. RIVETED

NOTE. ASSEMBLY TO BE CHROMIUM PLATED.

SCHEDULE									
ITEM	DESCRIPTION	DRG.	SPEC.	No. OFF	SCREWS, ETC.	MTL.	FINISH	No. OFF	
1	DETAIL 1 (HOOK)	62905/1	-	1					
2	DETAIL 2 (ARM, L.H.)	62905/1	-	1	RIVET $\frac{1}{16}$ DIA. X $\frac{5}{16}$ RD. HD.	CPR.	-	2	
3	DETAIL 3 (ARM, R.H.)	62905/1	-	1					

DIMENSIONS IN INCHES.

POST OFFICE ENGINEERING DEPT. S BRANCH	
DISTRIBUTION GENERAL	
REFERENCES	
SEE SCHED.	SPEC. D1000
ASSEMBLY DRG.	WIRING DGM.
FILE	SPEC.
SCALE :- $\frac{1}{1}$ AND AS INDICATED	THIRD ANGLE PROJECTION
DECIMAL DIMENSIONS NOT TOLERANCED SUBJECT TO	
APP'D. IN S1/1/2 SECTION <i>[Signature]</i>	DRN. D. J. B. TCD. M. R. A. CKD. <i>[Signature]</i> DATE 17. 6. 58
AMENDMENT	SUFFIX
FOR SUPERSED	
HOOK, RECEIVER X.  ASSEMBLY	
DRG. 62905/1 SHEET 1-2	

TRIM TO THESE LINES 13" x 16"