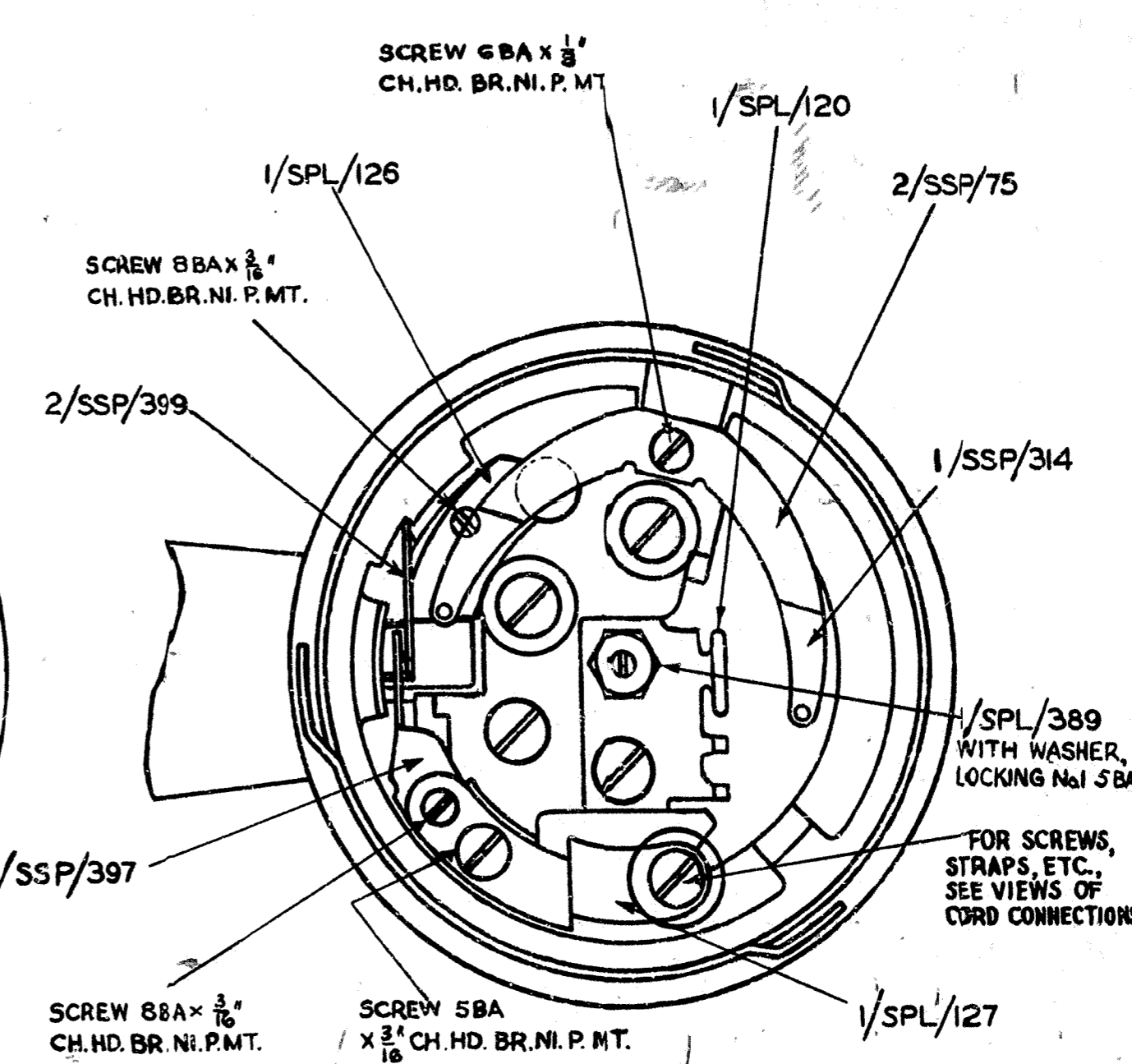
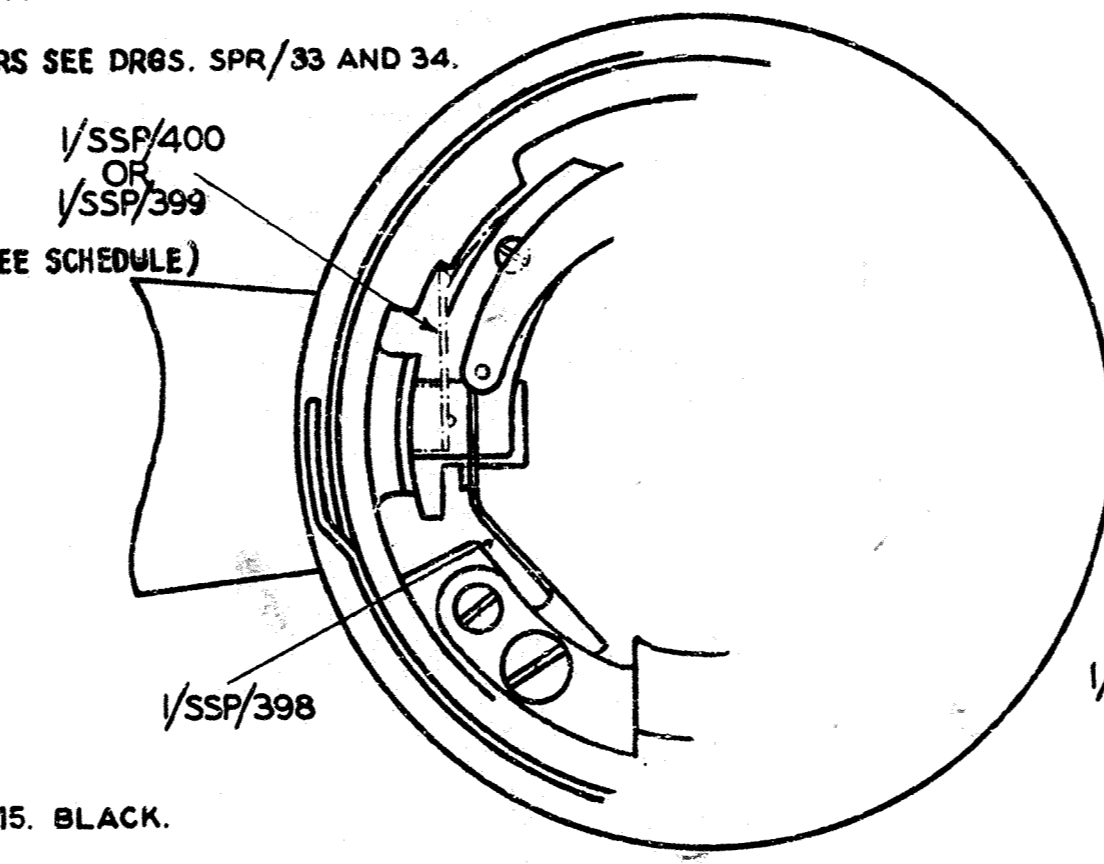
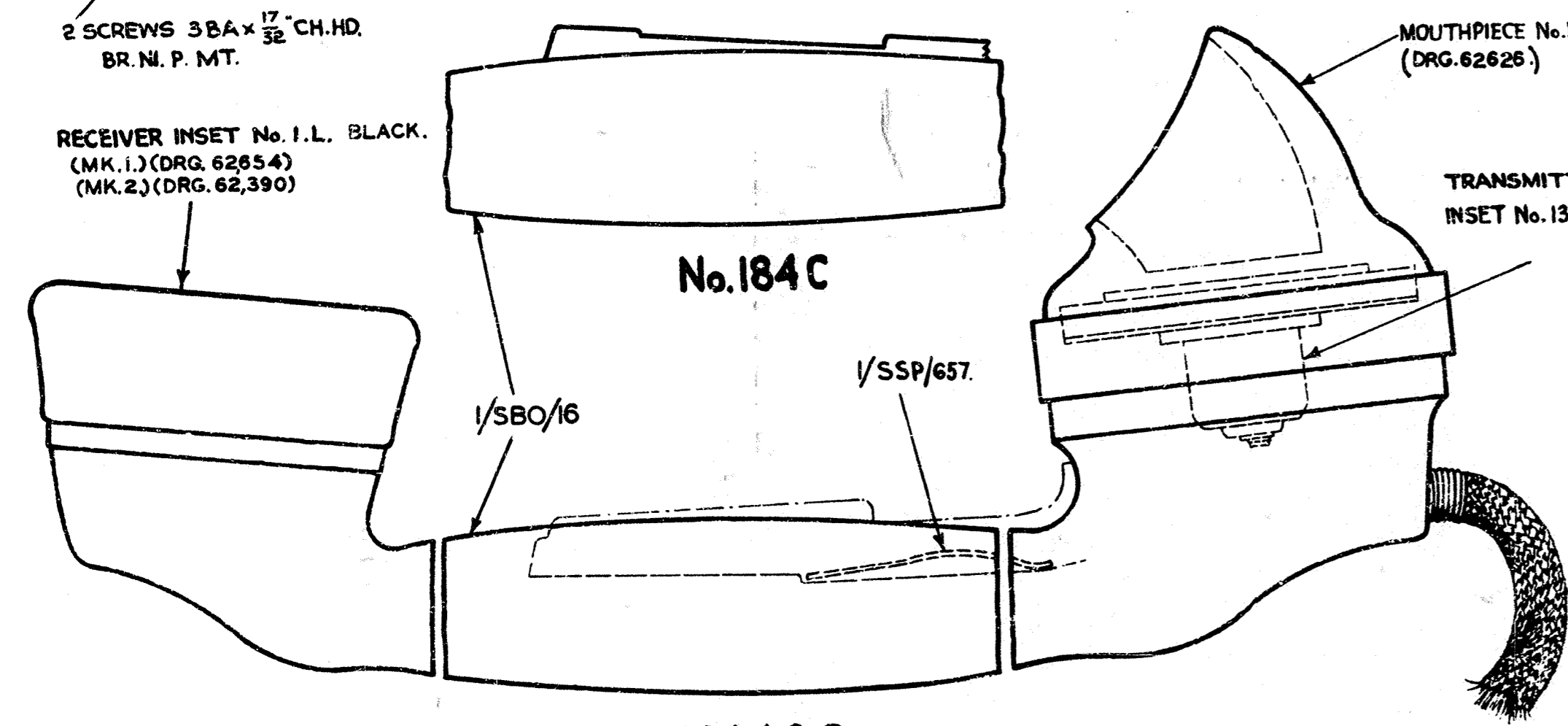
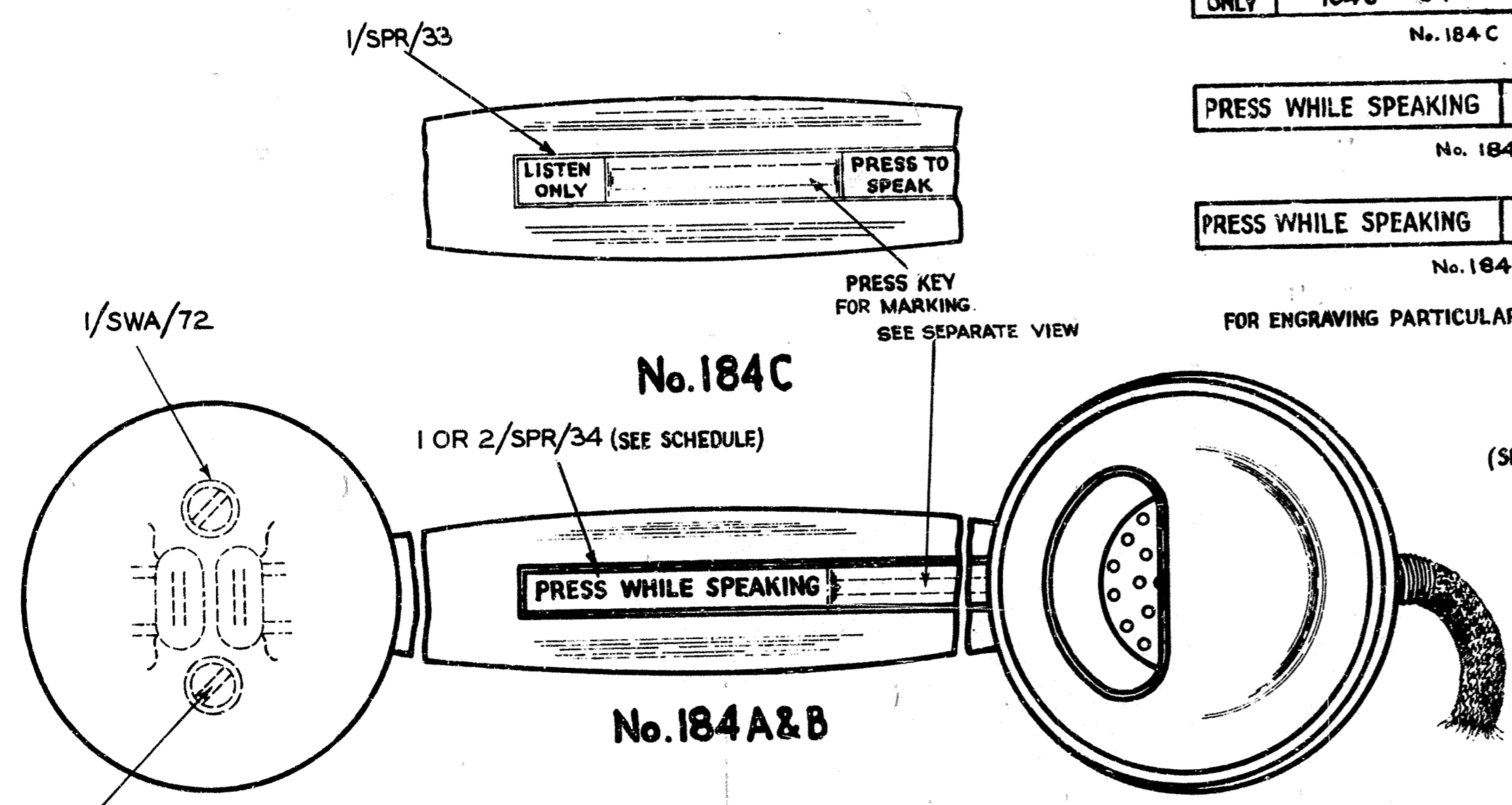


| AMENDMENT | SUFFIX |
|---|--------|
| MARK No. DELETED FROM TYPICAL MARKINGS. /O & SUPERSESSION NOTE ADDED. J.L.S. L.W.M. C.W.A. 20.3.47. | C |
| WASHER LOCKING No.1 ADDED. S.J.L. H.C. H.J.C.S. 14.5.54. | D |
| PHOTOCOPIED - NO AMENDMENT. | |
| TELEPHONE No. 184 B WITH CORD... ADDED. 5-7-56 | E |

LISTEN ONLY 184C 54 PRESS TO SPEAK
No. 184 C

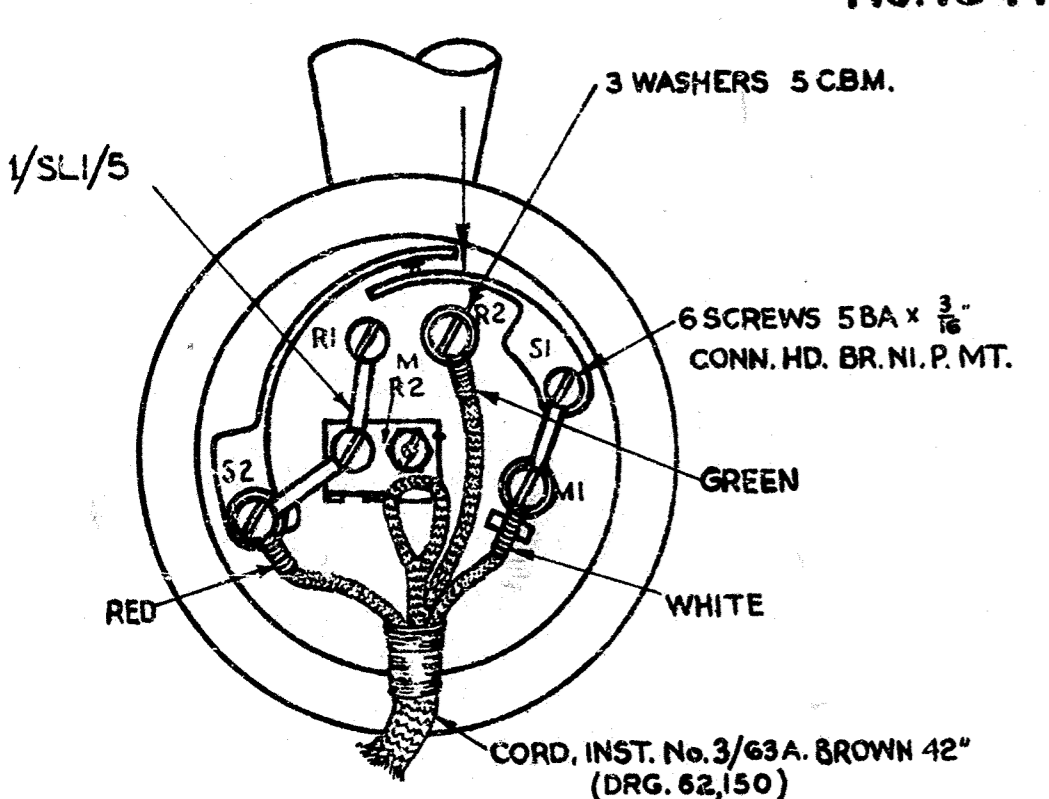
PRESS WHILE SPEAKING 184B 54
No. 184 B

PRESS WHILE SPEAKING 184A 54
No. 184 A

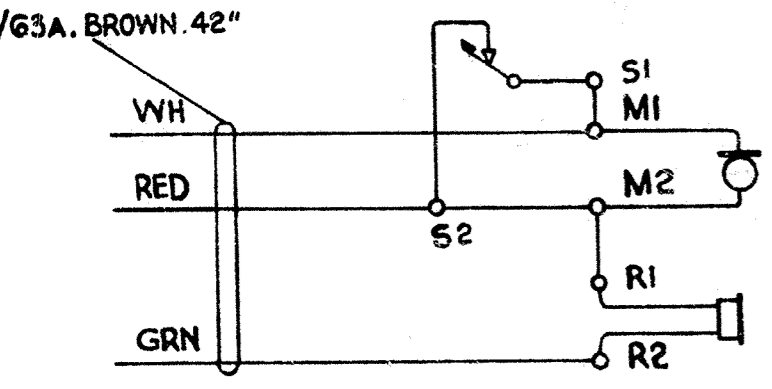


Nos. 184 B & C
(ALL OTHER PARTS AS 184 A)

ENLARGED VIEW OF TRANSMITTER END
MOUTHPIECE REMOVED.

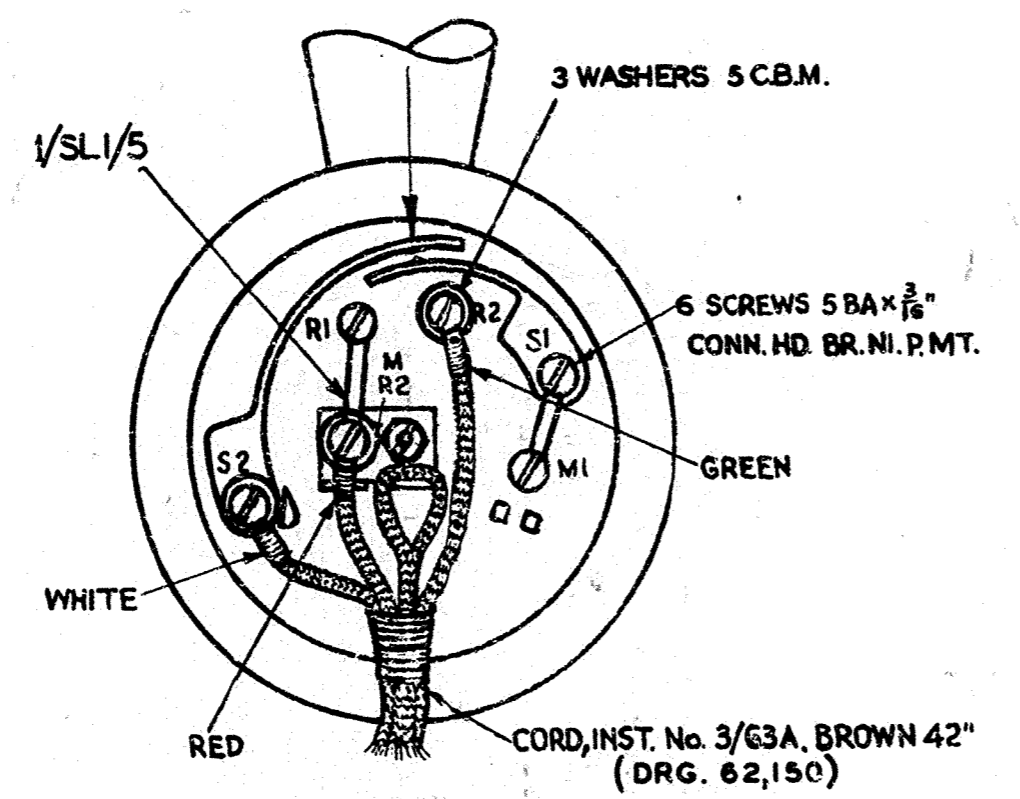


STRAP & CORD CONNECTION
No. 184 A

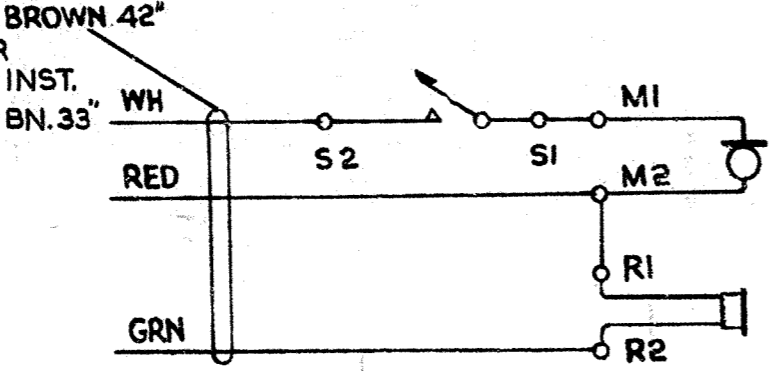


NON-LOCKING PRESS SWITCH
OPERATION OF PRESS SWITCH
REMOVES SHORT CIRCUIT FROM
TRANSMITTER.

CIRCUIT ARRANGEMENT
No. 184 A

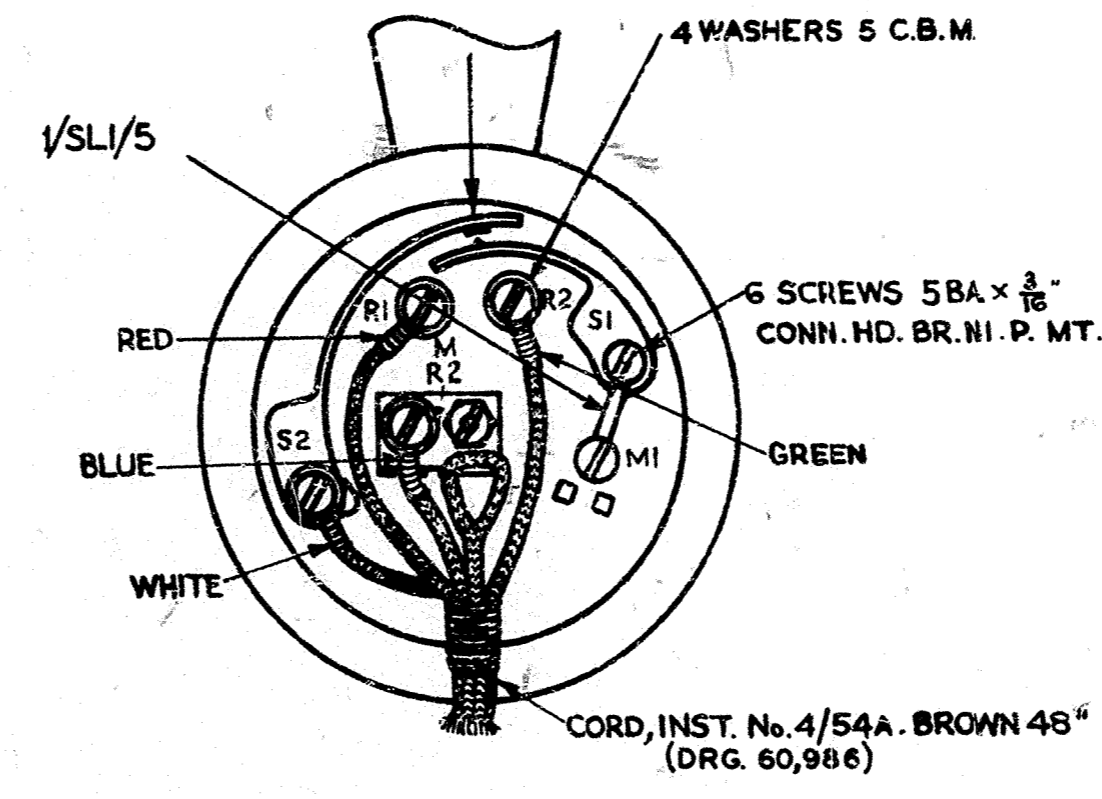


STRAP & CORD CONNECTION
No. 184 B

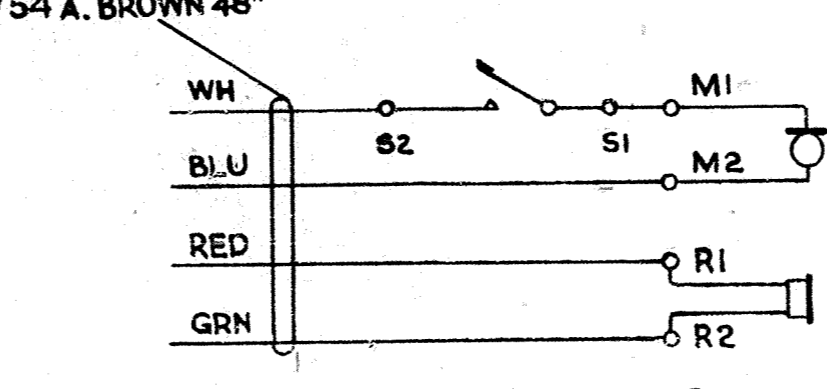


NON-LOCKING PRESS SWITCH
OPERATION OF PRESS SWITCH
COMPLETES TRANSMITTER
CIRCUIT.

CIRCUIT ARRANGEMENT
No. 184 B



STRAP & CORD CONNECTION
No. 184 C



LOCKING PRESS SWITCH
OPERATION OF PRESS SWITCH AT
RECEIVER END BREAKS TRANSMITTER
CIRCUIT. OPERATION AT TRANSMITTER
END COMPLETES TRANSMITTER
CIRCUIT.

CIRCUIT ARRANGEMENT
No. 184 C

SCHEDULE OF PARTS

| PART | QTY | | | |
|---|------|------|------|-------------------|
| | 184A | 184B | 184C | 184B WITH CORD... |
| 1/SSP/657 | 1 | 1 | - | 1 |
| 1/SPL/127 | 1 | 1 | 1 | 1 |
| 1/SPL/126 | 1 | 1 | 1 | 1 |
| 1/SSP/397 | 1 | - | - | - |
| 1/SSP/398 | - | 1 | 1 | 1 |
| 2/SSP/399 | - | 1 | - | - |
| 1/SSP/399 | - | 1 | - | 1 |
| 1/SSP/400 | - | - | 1 | - |
| 1/SLI/5 | 3 | 2 | 1 | 2 |
| 1/SPR/33 | - | - | 1 | - |
| 2/SPR/34 | - | 1 | - | 1 |
| 1/SPR/34 | 1 | - | - | - |
| 1/SBC/16 | 1 | 1 | 1 | 1 |
| 1/SPL/120 | 1 | 1 | 1 | 1 |
| 2/SSP/75 | 1 | 1 | 1 | 1 |
| 1/SSP/314 | 1 | 1 | 1 | 1 |
| 1/SPL/389 | 1 | 1 | 1 | 1 |
| CORD, INST. No. 3/63A. BROWN 42" (DRG. 62,150) | 1 | 1 | - | - |
| CORD, INST. No. 4/54A. BROWN 48" (DRG. 60,986) | - | - | 1 | - |
| TRANS INSET No. 13 (DRG. 62,808) | 1 | 1 | 1 | 1 |
| RECEIVER INSET No. 1.L. BLACK (MK. 1.) (DRG. 62,654) (MK. 2.) (DRG. 62,390) | 1 | 1 | 1 | 1 |
| MOUTHPIECE No. 15. BLACK (DRG. 62,626) | 1 | 1 | 1 | 1 |
| SCREW 3BA x 17/32 CH.HD. BR. NI. P. MT. | 2 | 2 | 2 | 2 |
| SCREW 5BA x 3/16 CONN. HD. BR. NI. P. MT. | 6 | 6 | 6 | 6 |
| SCREW 6BA x 1/8 CH.HD. BR. NI. P. MT. | 1 | 1 | 1 | 1 |
| SCREW 8BA x 3/16 CH.HD. BR. NI. P. MT. | 2 | 2 | 2 | 2 |
| SCREW 5BA x 3/16 CH.HD. BR. NI. P. MT. | 1 | 1 | 1 | 1 |
| 1/SWA/72 | 2 | 2 | 2 | 2 |
| WASHERS 5BA SMALL BR. NI. P. MT. | 3 | 3 | 4 | 3 |
| WASHER, LOCKING No. 1. 5BA PHOSPHOR BRONZE OR PHOSPHOR BRONZE NI. P. | 1 | 1 | 1 | 1 |
| CORD, INST. No. 3/99 BN. 53" | - | - | - | 1 |
| MOUTHPIECE No. 15 BLACK | - | - | - | 1 |

DO NOT SCALE
(A MICROFILM PROCESS PRINT)

SUPERSEDED FOR NEW WORK
BY DRG. 62861/1

TELEPHONES
No. 184
BLACK (MK. 1.)