

HOOK, RECEIVER "L"

DRAWING 62255

Specification No separate Spec.

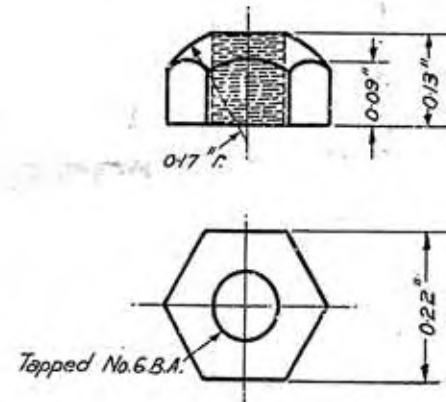
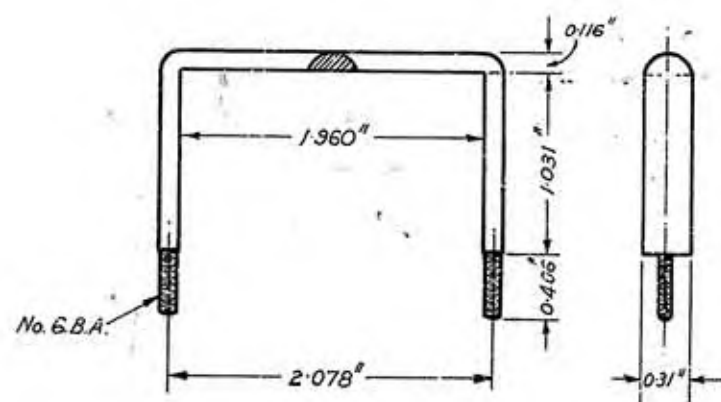
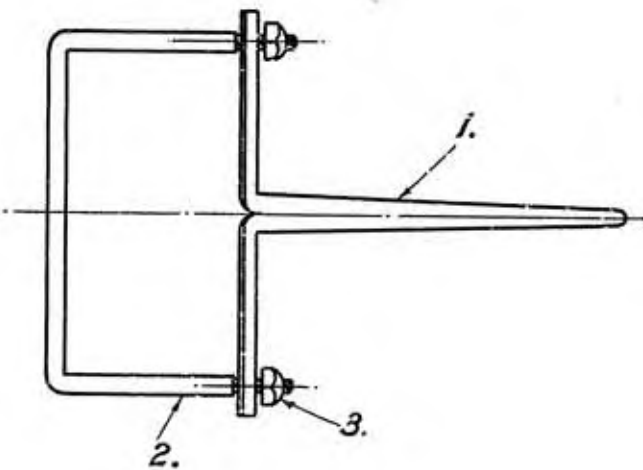
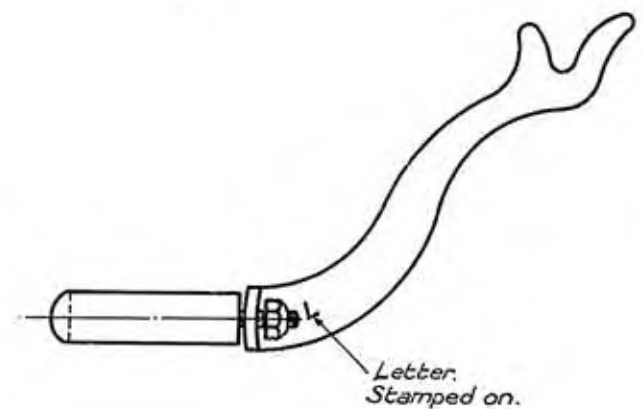
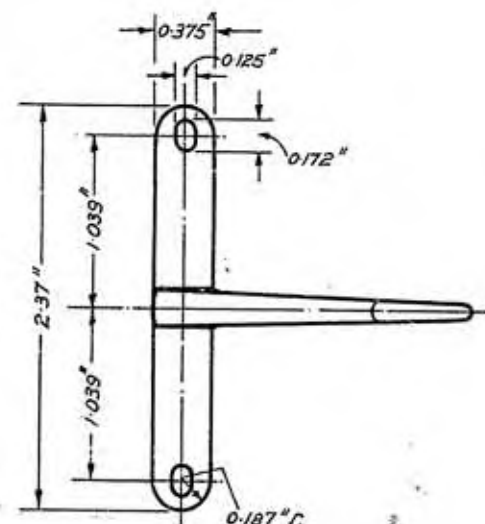
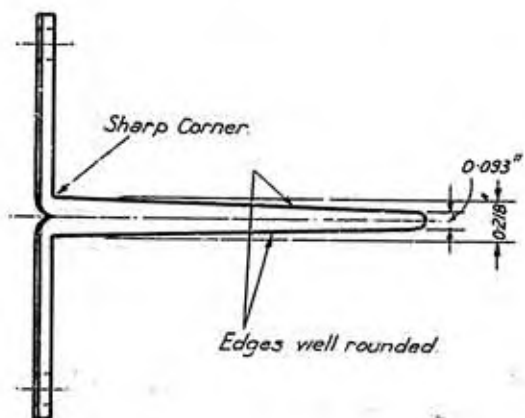
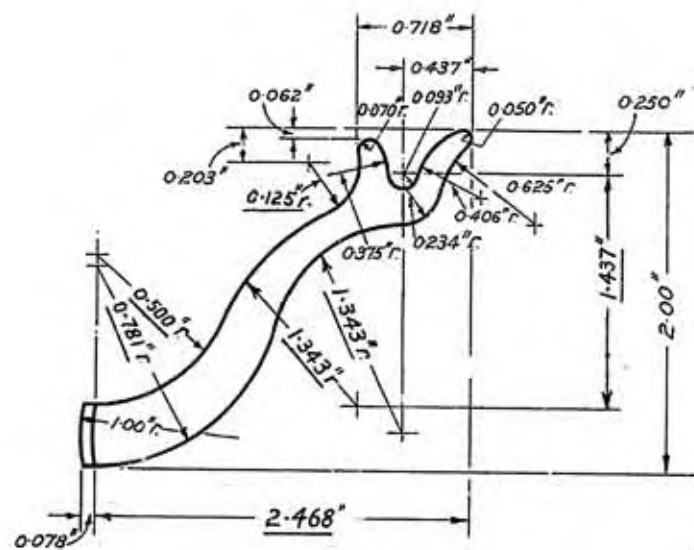
Office of Engineer-in-Chief, G. F. O.

Drawn by *[Signature]* Checked by *[Signature]* Approved by *[Signature]* Date 21-8-31

Letter	Particulars of Amendment	Date	Initials
A	Dimension 1906 increased to 960	9-6-32	<i>[Signature]</i>
B	Det. 1 centre of slots increased Det. 2 centres of Arms increased	26-7-32	<i>[Signature]</i>
C	Finish was Copper P.Oxide & Colourless lacquered.	8-10-34	<i>[Signature]</i>
D	Profile altered. Finish amplified	9-11-35	<i>[Signature]</i>

FORMERLY DRG. 11189

NO AMENDMENT A2/2583



SCALE. $\frac{1}{4}$ Except where otherwise stated.
 MATERIAL. Brass.
 FINISH. Nickel Plated & Polished, or Gilded as required

2.

3.
 Scale: $\frac{4}{1}$.
[Signature]
 21-8-31.