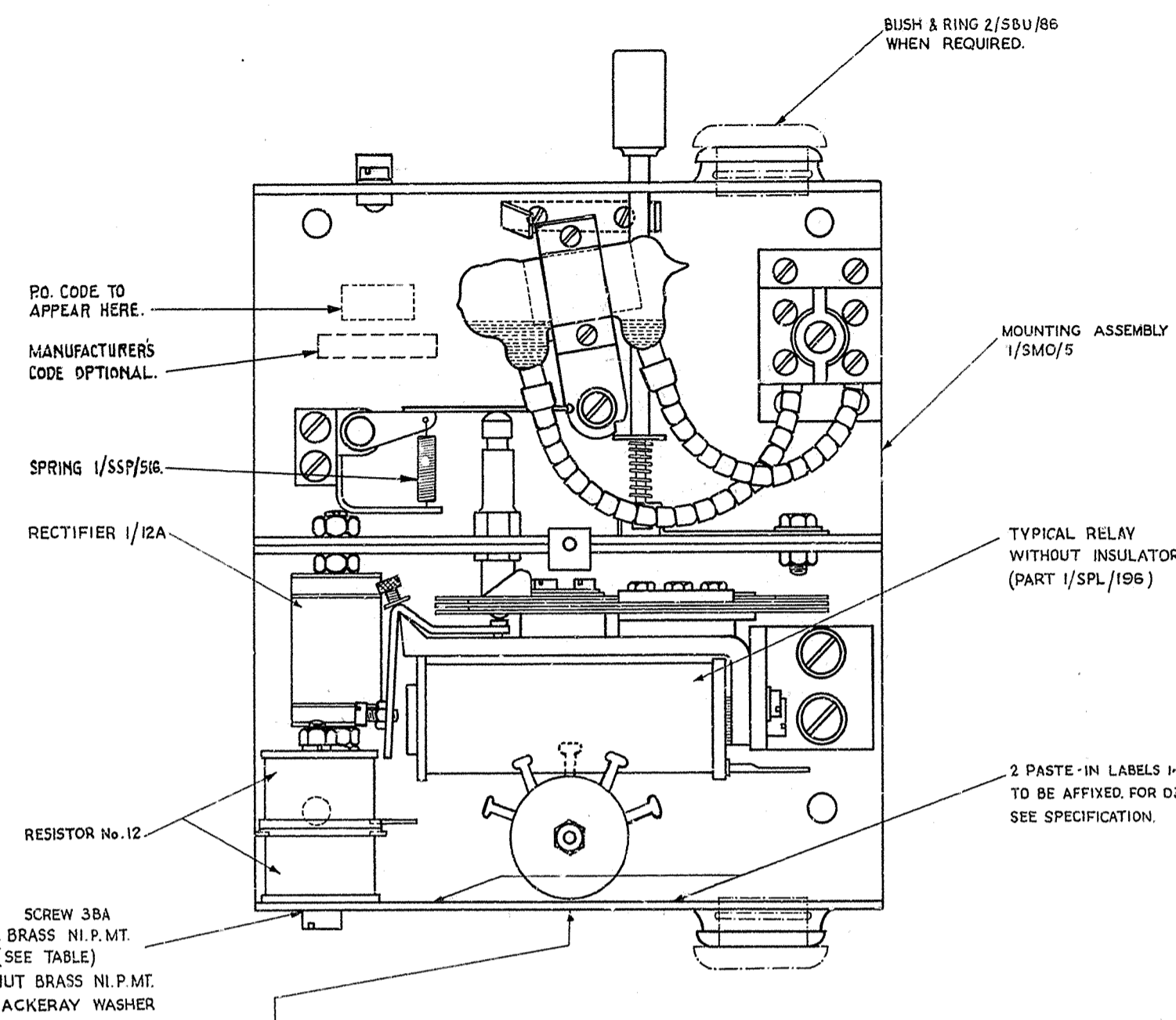
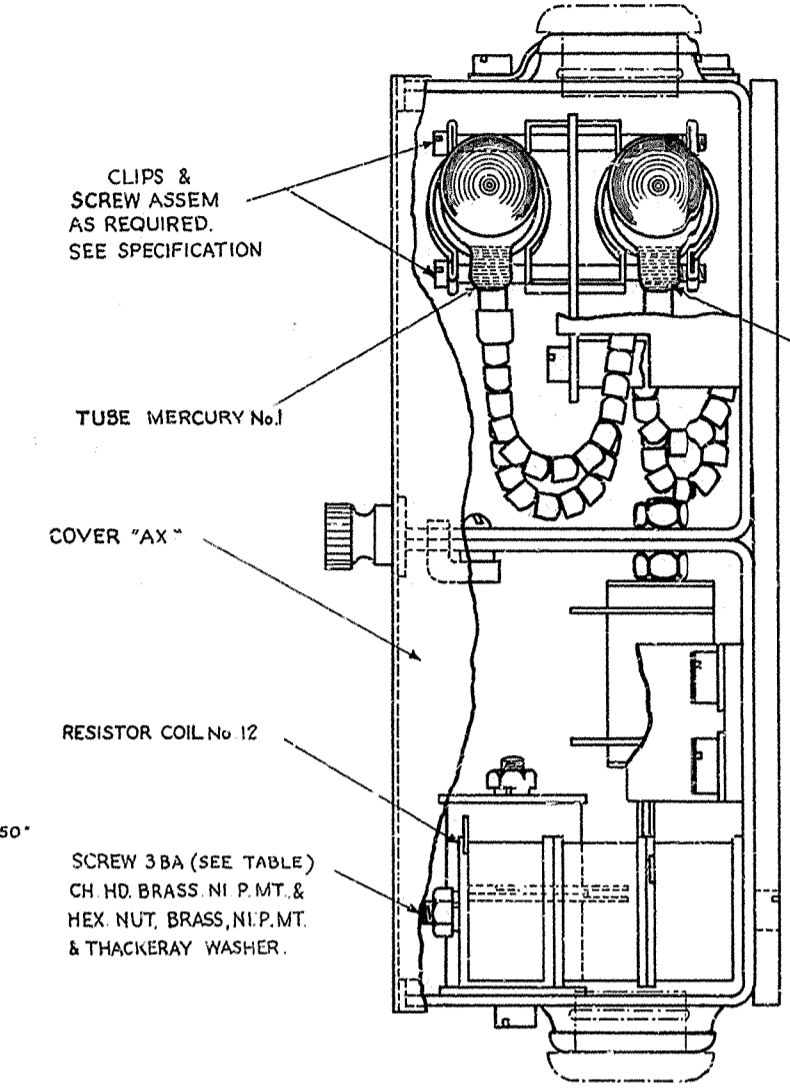


W. H. ...

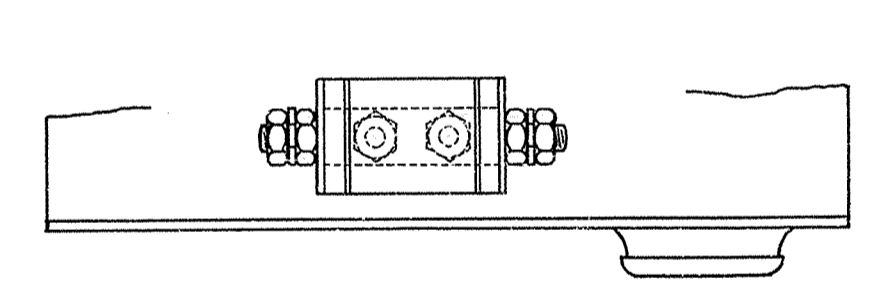
Amendment.	Suffix.
TAGS ON RESISTORS WERE ON SAME ALIGNMENT. COOP MARKINGS CLARIFIED EGM. 7/10/52	A
BUSH & RING 2/SBU/86 DELETED. M.R.A. 1/1/54	B
BUSH & RING 2/SBU/86 - NOTE ADDED. S.B. & C ^o LTD. 27-5-58	C



FRONT VIEW
(COVER REMOVED)
OF COMPLETE UNIT



PART SIDE VIEW
PLUNGER OMITTED



RECTIFIER FIXED IN LOWER POSITION

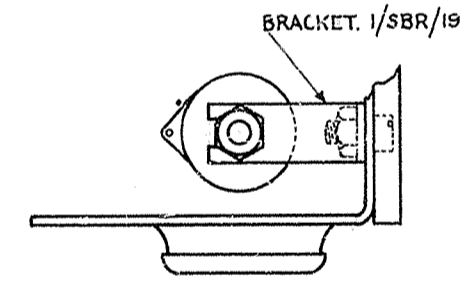
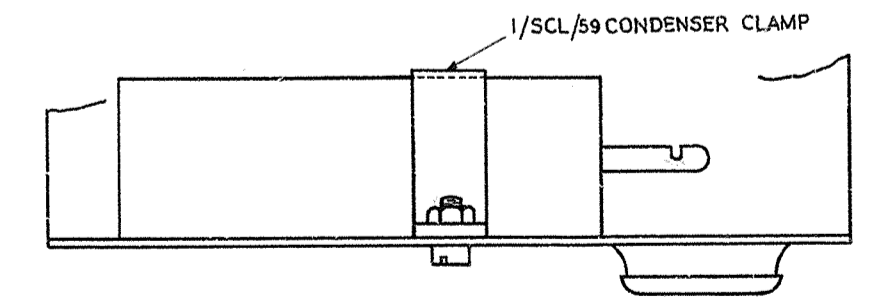
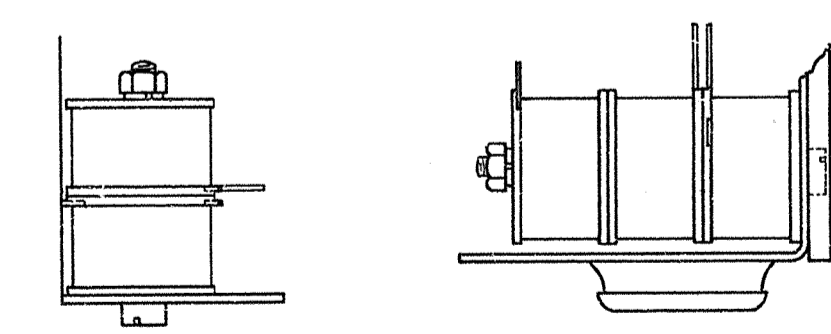
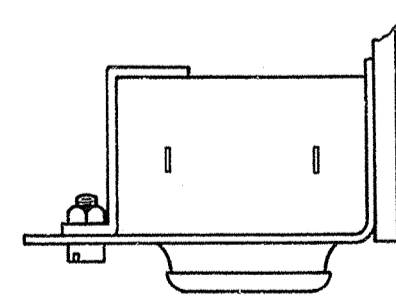


TABLE GIVING LENGTH OF
FIXING SCREWS FOR ONE, TWO
OR THREE RESISTORS.

N ^o OF RESIS.	SCREW
1	3 BA x 1 1/8" CH. HD. BRASS NI. P. MT.
2	3 BA x 1 3/4" CH. HD. BRASS NI. P. MT.
3	3 BA x 2 5/8" CH. HD. BRASS NI. P. MT.



CONDENSER FIXED IN LOWER POSITION



ALTERNATIVE FIXING OF RESISTORS

TYPICAL
RELAY UNIT
FITTED WITH
COVER Y.15 (S)

NOTES. 1. FOR MAKE-UP OF ANY PARTICULAR RELAY-SWITCH, SEE RELATIVE SPECIFICATION.
2. SEE TP. 631 FOR RELATIVE POSITIONS OF CONDENSER, RECTIFIER, & RESISTORS.