

... number dials for automatic and semi-
telephone systems and the like "

229759

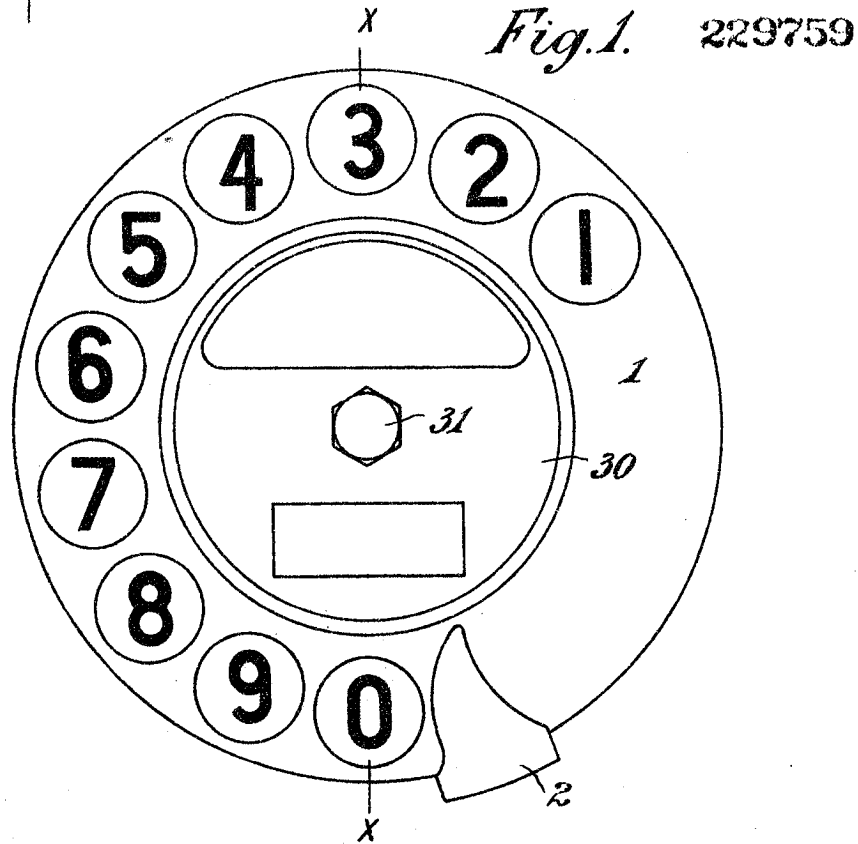


Fig. 3.

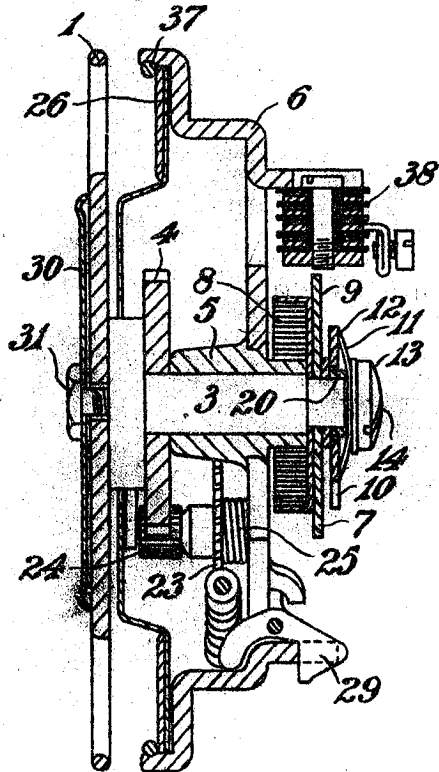
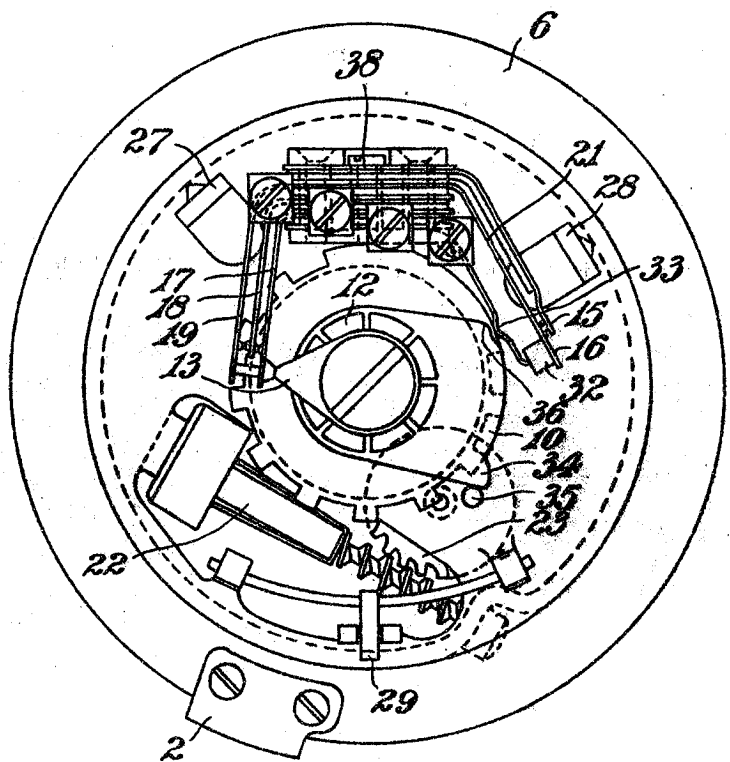


Fig. 2.



Witnesses: Certified to be the drawing referred to
in the specification hereunto annexed.

MONTREAL this 8th day of Feb 1922

Carl Alexander Retikoff & John Edward Collyer
By their Attorney.

Handwritten signature

Handwritten signature
Thos. Craus.