

# SA 5030

2 PANELS-1

## NOTES.

1. A TELEPHONE SA 5030 COMPRISES THE FOLLOWING:-
  - 1 TELEPHONE No. 328 CB. BLACK MINUS CORD (LESS HANDSET)
  - 1 " No. 164 GREEN FITTED WITH A RECEIVER INSET No. 2P AND AN EARPIECE No. 23 GREEN.
  - 1 KEY No. 303A
  - 2 PARTS No. 1/SPL/325.
  - 1 LABEL No. 252 R
  - 2 CORDS, INST. No. 6/21B BROWN 54"
  - 1 BLOCK TERMINAL No. 20/8 BLACK.THESE ARE ASSEMBLED AND CONNECTED AS FOLLOWS:-
  - (a) KEY No. 303A IS FITTED WITH CONTROL PLATE IN POSN. 3. PLUNGERS A & C ARE FITTED AND THE EXTENSION ARM IS FITTED TO GIVE GRAVITY SWITCH RELEASE. (SEE N 4301).
  - (b) CORD, INST. No. 3/63A IS DISCONNECTED FROM TELEPHONE TERMINALS 4, 5 & 6 AND RECONNECTED AS FOLLOWS:-

WHITE	TO	TERMINAL	19	OF	KEY	No	303A.
RED	"	"	24	"	"	"	"
GREEN	"	"	27	"	"	"	"
  - (c) THE FOLLOWING ARE CONNECTED TOGETHER.

TELE. TERM	4	TO	KEY	303A	TERMINAL	20.
"	"	5	"	"	"	23
"	"	6	"	"	"	26
"	"	9	"	"	"	17
  - (d) TELEPHONE TERMINALS 1 & 2 ARE STRAPPED.
  - (e) TELEPHONE TERMINAL 1 AND KEY TERMINALS 16, 18, 21, 22, & 25 ARE CONNECTED BY CORD, INST. No. 6/21B BROWN 54" TO BLOCK TERMINAL AS SHOWN ON PANEL 2.
2. THE TELEPHONE SA 5030 TO BE MADE UP LOCALLY. WHERE A DIAL AND CORD ARE REQUIRED THEY SHOULD ALSO BE REQUISITIONED.

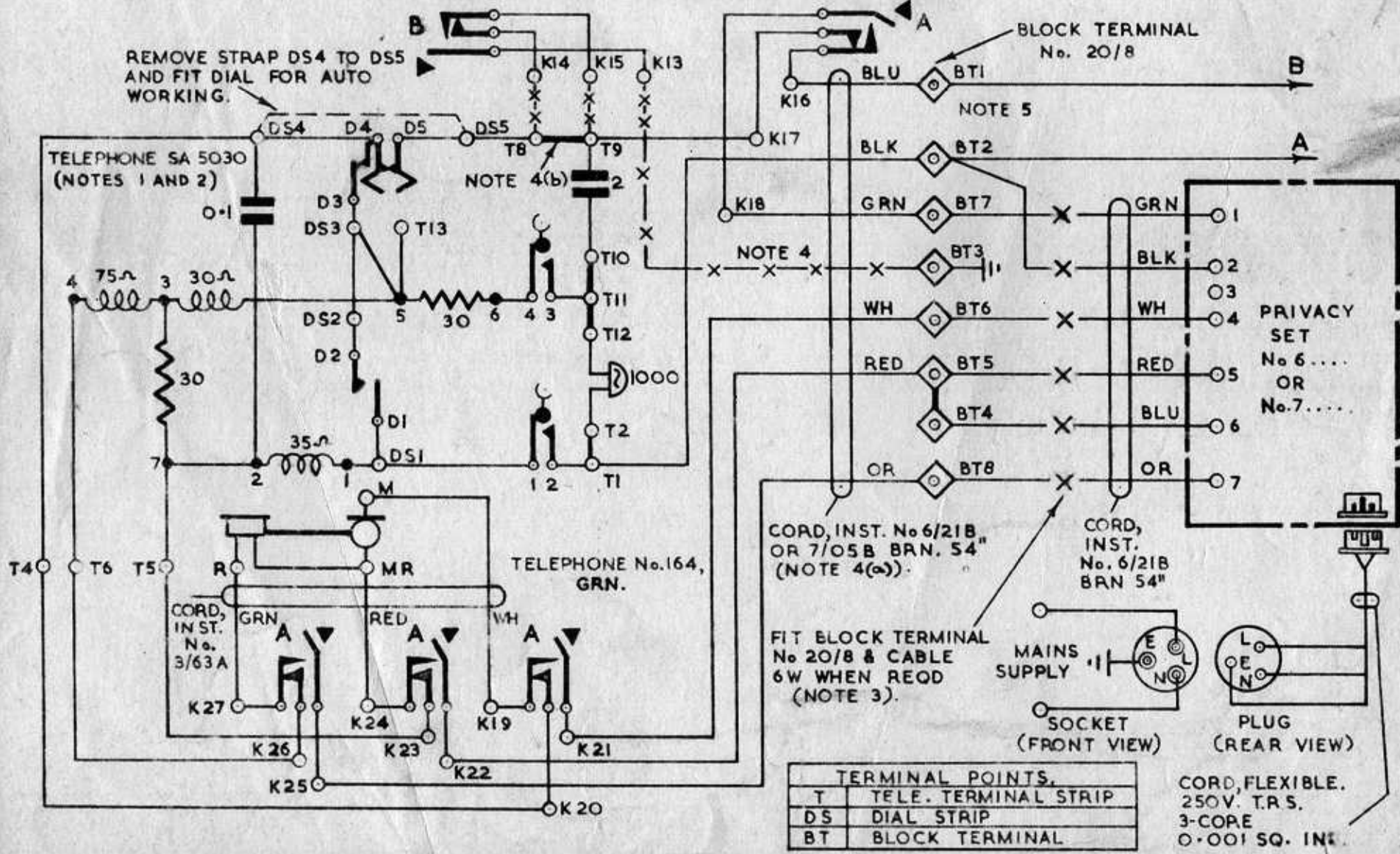
3. IF THE PRIVACY SET AND TELEPHONE BLOCK TERMINAL ARE SO SITUATED THAT A 54" CORD IS TOO SHORT AN ADDITIONAL BLOCK TERMINAL No. 20/8 SHOULD BE REQUISITIONED AND CONNEXION BETWEEN THE BLOCKS TERMINAL MADE BY A LENGTH OF 6W CABLE.
4. OPERATOR RECALL FACILITIES.
  - (a) FIT ADDITIONAL PART No 1/SPL/325, CORD, INST. No 7/05B BROWN 54" AND LABEL No. 252 X. CONNECT K13 TO EARTH VIA BT3. CHECK THAT KEY No. 303A CONTROL PLATE IS IN POSITION 3. (SEE N 4301).
  - (b) FOR MANUAL PBX EXTNS. OMIT STRAP T8-T9. CONNECT K14 TO T8 AND K15 TO T9. FOR P.A.B.X. EXTNS. RETAIN STRAP T8-T9 AND CONNECT K15 TO T9.
5. ON EARLIER ISSUES BT1 AND BT2 WERE REVERSED, BT1 WAS CONNECTED TO PRIVACY SET TERMINAL 1. AND BT7 TO PRIVACY SET TERMINAL 2. PREVIOUSLY, CONTROL PLATE OF KEY 303A WAS FITTED IN POSITION 7 WHEN OPR. RECALL NOT REQD.
6. THE TELEPHONE SA5030 WAS PREVIOUSLY OBTAINABLE AS A NRB ITEM.



# C. B. & AUTOMATIC SYSTEMS.

SUBSCRIBER'S PRIVACY EQUIPMENT, D.E.L, P.M.B.X. & P.A.B.X.  
EXTENSION.(E.I. TELEPHONES STATIONS 21001 REFERS.)

SA 5030.  
2 PANELS-2.  
15-8-40



POST OFFICE ENGINEERING DEPT. E-IN-C'S OFFICE 5 Bch

Amendment

Supersede

REDRAWN: RECALL FACILITIES & NOTE ADDED. J.L.B.

REDRAWN: MINOR WIRING CHANGES PRIVACY SET

No.7 ADDED & NOTES CORRECTED. M. J.H.

TELEPHONE CIRCUIT CORRECTED. M. J.H.

NOTES AMENDED. NOTE 6 ADDED. J.L.B.

Date	Drn.	Ckd	Date
25.11.52	C		15-8-40
12.11.56	b		
25.5.57	E		
26.7.60	F		

Suffix

Appd. in SI Section

S.L.H.

DGM SA 5030