

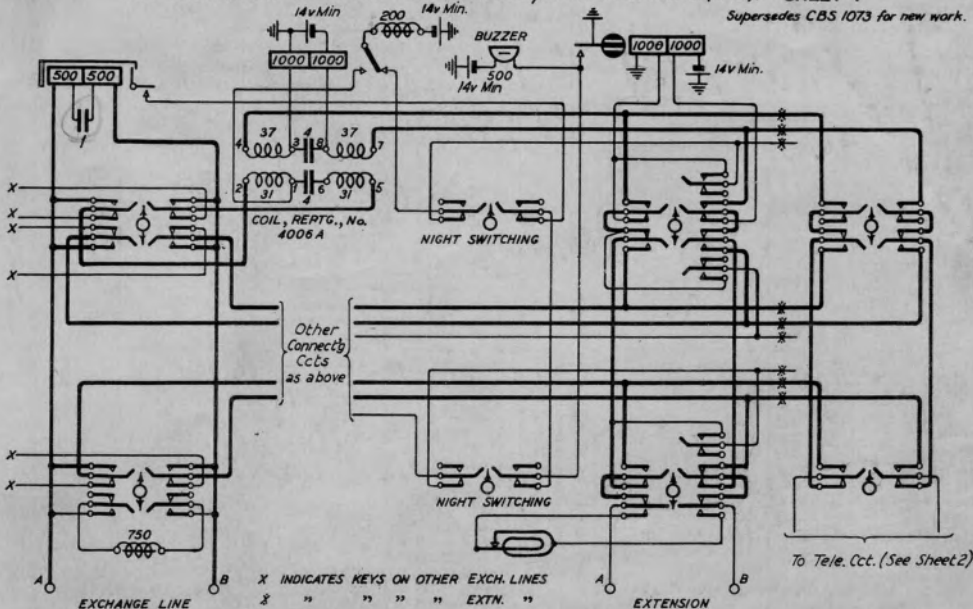
H. Carlson

# SWITCHBOARD CBS 484. CIRCUIT DIAGRAM.

N 951 14-5-25.  
CBS 484F  
SHEET 1

FOR TERMINATION OF PRIVATE WIRE OR INTER-S/BD LINE SEE CBS 485 (N952).

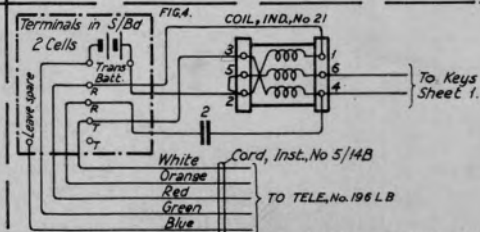
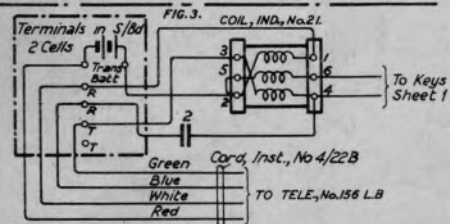
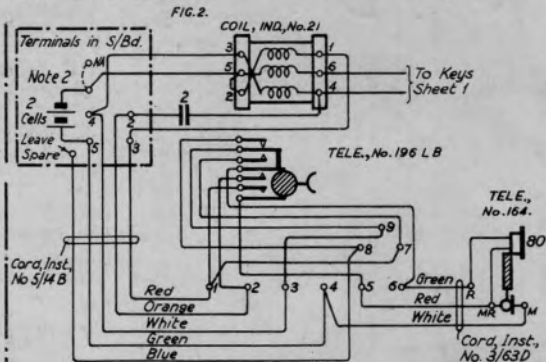
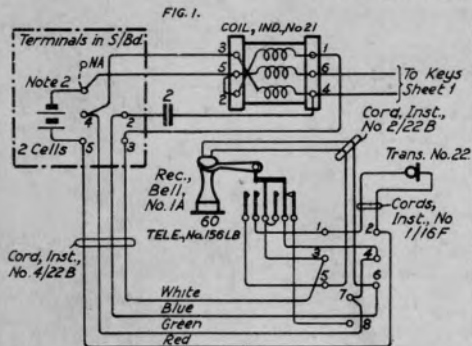
Supersedes CBS 1073 for new work.



F. Supersession note added. *EAR* 6-11-35.  
 A-D. See Supersession Tracing  
 E. Redrawn. Sheet 2 added. *ES* 7-35  
*W.H.V.*

X INDICATES KEYS ON OTHER EXCH. LINES  
 & " " " " " EXTN. "

To Tele. Cct. (See Sheet 2)



NOTES

1. FOR NEW WORK THE EXISTING COIL INDUCTION No. 1 OR No. 12 SHOULD BE REPLACED BY COIL INDUCTION No. 21 FIXED IN POSITION BY 2 PARTS No. 1/11398 AND A TELE. No. 156 LB FITTED. THE CCT. ARRANGEMENTS ARE INDICATED IN FIGS 1 & 3
2. A SEPARATE SPEAKING BATTERY SHOULD BE PROVIDED & THE STRAP SHOWN DOTTED DISCONNECTED