

TELEPHONES No.746 & 746R
TABLE TELEPHONES - No.746 WITH PROVISION FOR ONE OR TWO PRESS BUTTONS
FOR USE ON AUTO SYSTEMS
No.746R IS FOR USE ON PBX'S WITH RECALL ONLY. NOTE A.

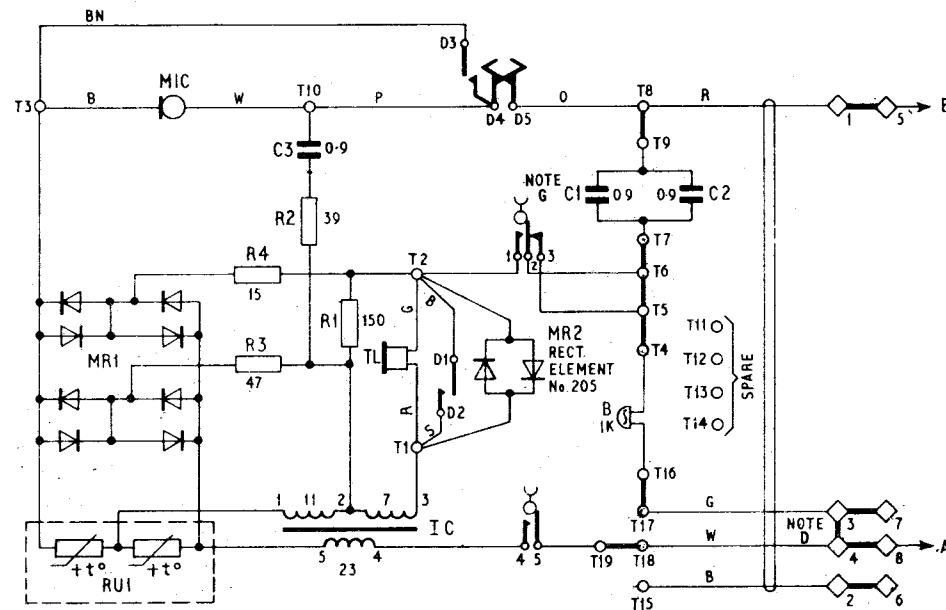
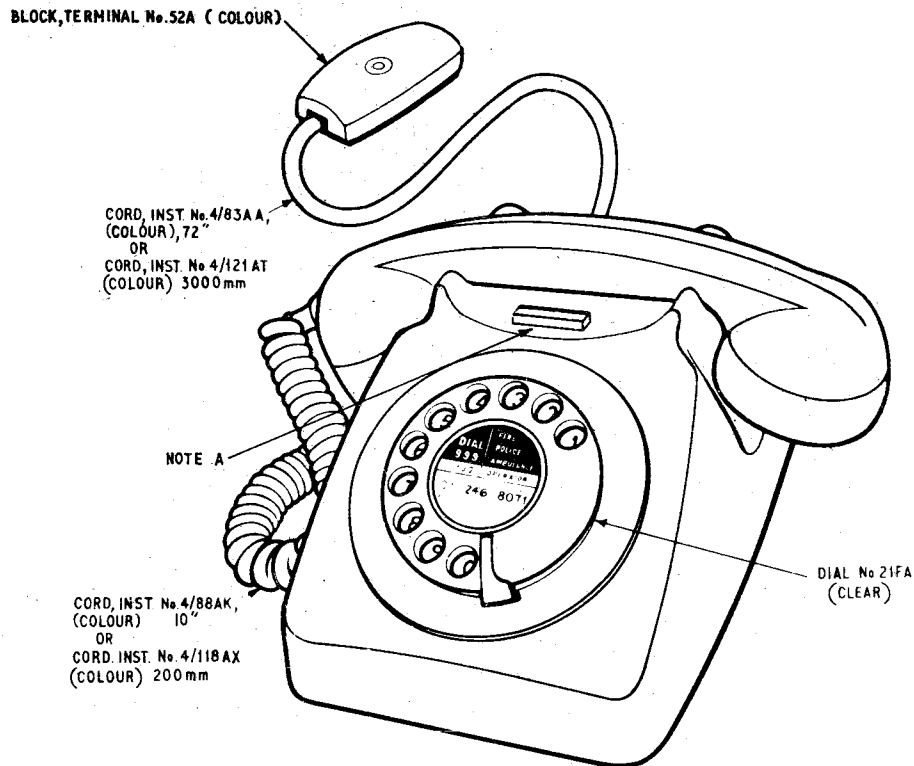


FIG.1 TELEPHONE No.746 CIRCUIT DIAGRAM SHOWING CONNEXIONS AS ISSUED

NOTES:-

- A Telephone No.746R is supplied complete with a button engraved "Recall" and a Switch No.5A-4. See Fig.3 for connexions as issued.
- B Telephone No.746 may be used in place of Telephone No.706 in all auto extension plans. The Telephone No.746 may also replace the Telephone No.710 when two buttons are needed and the latching facility of the Telephone No.710 is not required.
- C See Diagrams N848 and N4700 for the parts that can be added to the Telephone No.746.
- D When an extension bell is required, remove Strap BT3-BT4 and connect the bell to BT7-BT8.
- E The leads of auxiliary units should be terminated as shown on the appropriate diagram. Any spare lead should be secured to a spare terminal. Where this is not possible, the leads should be insulated from electrical contact with parts of the telephone and from each other. Where additional terminals are required, fit:-
 - 1 off Part 2/DST/836 For Terminals T20-T25
 - 2 off Part 2/DST/836 For Terminals T20-T31
 - 1 off Strip Conn.No.155A For Terminals T20-T37
- F With the exception of the handset, dial and bell, all components are mounted on a printed wiring board. The complete unit is available for maintenance replacement as a Telephone-Unit D92732
- G C1 and C2 may consist of two 0.9µF capacitors as shown, or a single 1.8µF capacitor.

CONTENTS

Telephone No.746 circuit diagram showing connexions as issued	Fig 1
Telephone No.746 shared service lines	Fig 2
Telephones No.746 & No.746R 2-Wire PBX extensions with recall	Fig 3
Telephones No.746 & No.746R P M B X with additional signalling C-Wire	Fig.4

OTHER REFERENCES

Telecommunications Instructions	{ C3B1020(Telephone No.746) C3B1035(Telephone No.746R) Dgm.N848 Dgm N4700 Dgm N849
Auxiliary Units	
Press Buttons	

PAPER :- W DISTN :- GENERAL	ISSUE	TELEPHONE No.746R ADDED		DATE
		MR2 ADDED MINOR CHANGES	TELEPHONE No.746R ADDED	
	B	MR2 ADDED MINOR CHANGES	TELEPHONE No.746R ADDED	11-9-74
	A	SWITCH 5A-4 WITH PARTS WAS SWITCH 5A-9		10-2-69
	EHS		TD 2-3-1 SECTION	5-5-67

FIG. 2 AUTOMATIC SYSTEMS
SHARED SERVICE LINES
(NOTE E)

USING:-
Telephone No.746
Switch No.5A-4 (SA)
Part 1/DBU/362
Part 1/DPL/1022
2 Parts 1/DPI/203
Thermistor No.1A-1 (RY1)
Valve, Electronic CV8790, 7875 or 8805
(Note B)

- NOTES:-
A Remove Straps T5-T6, T16-T17, T18-T19 and move strap in BT
B In UAX areas with vibrator ringing, provide and fit Valve, Electronic CV...
C Exchange Line Connexions
'A' wire to BT8 } Station X
'B' wire to BT5 }
'A' wire to BT5 } Station Y
'B' wire to BT8 }
D When extension bell is required, remove Strap BT2-BT3 and connect bell to BT6-BT7
E Telephone No.746R should not be used for shared service

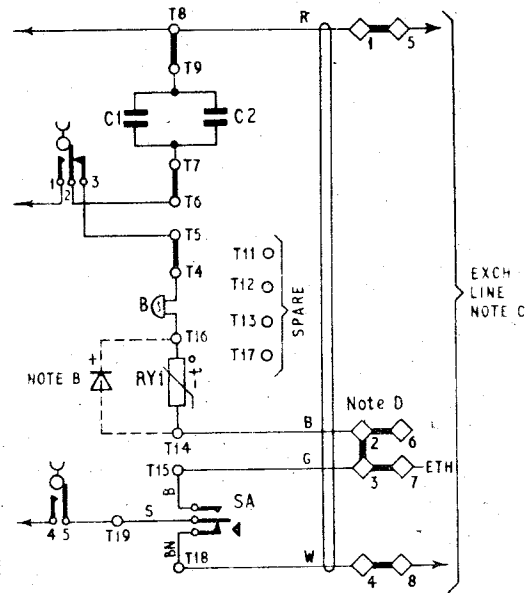
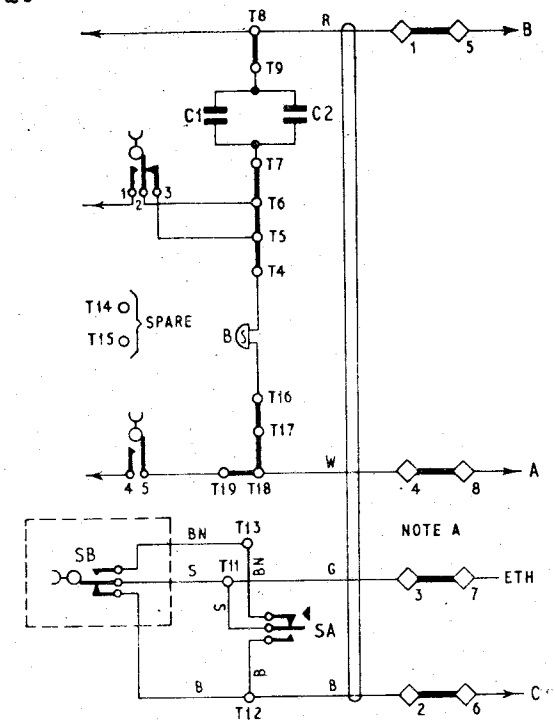


FIG. 4 PMBX WITH ADDITIONAL SIGNALING C-WIRE (PMBX 2/...and 3/...NOTE C)

USING:-
Telephone No.746R
Switch No.19B-1(SB) } NOTES A, B & C
or
Telephone No.746
Switch No.5A-4 (SA) } NOTE A
Part 1/DBU/362
Part 1/DPL/1022
2 Parts 1/DPI/203
Switch No.19B-1 (SB)

- NOTES:-
A Remove Strap BT3-BT4 and add Strap T17-T18
B The Switch No.5A-4 in a Telephone No.746R must be rearranged to accord with the diagram
C For 2-Wire extensions using UAA No.96 or 96A wire the telephone to Fig.3, or use Telephone No.746R as issued



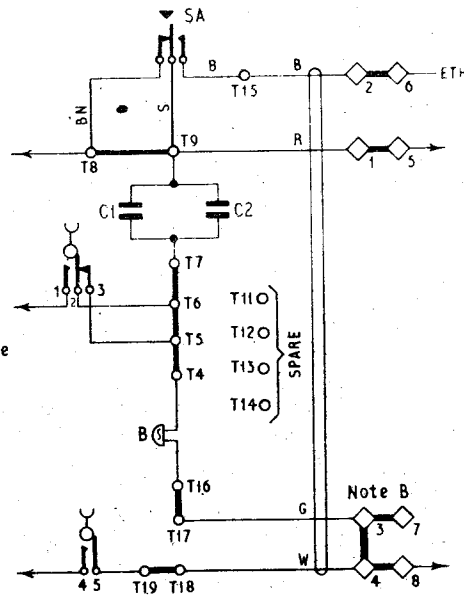
REMEMBER

The Telephone No.746 can accept 2 press-buttons (see Dgm.N849). This makes it suitable for Plan IA on shared service, etc.

FIG. 3 2 WIRE PBX EXTENSIONS WITH RECALL
TELEPHONE No.746R CONNEXIONS AS ISSUED

USING:-
Telephone No.746R
or
Telephone No.746
Switch No.5A-4 (SA) } Note A
Part 1/DBU/362
Part 1/DPL/1022
2 Parts 1/DPI/203

- NOTE:-
A Use Telephone No.746R if available in the required colour, alternatively use Telephone No.746 and fit the parts listed
B When extension bell is required, remove Strap BT3-BT4 and connect bell to BT7-BT8



OLD SYMBOL	NEW SYMBOL BS 3939

WHAT IS A FORM A646?

It's the form you should use to advise Headquarters of any apparatus that is defective or causes difficulties in the field.

* Keep a few with you—and use them.

TI's CIA 0050 and EIA 0091 refer.