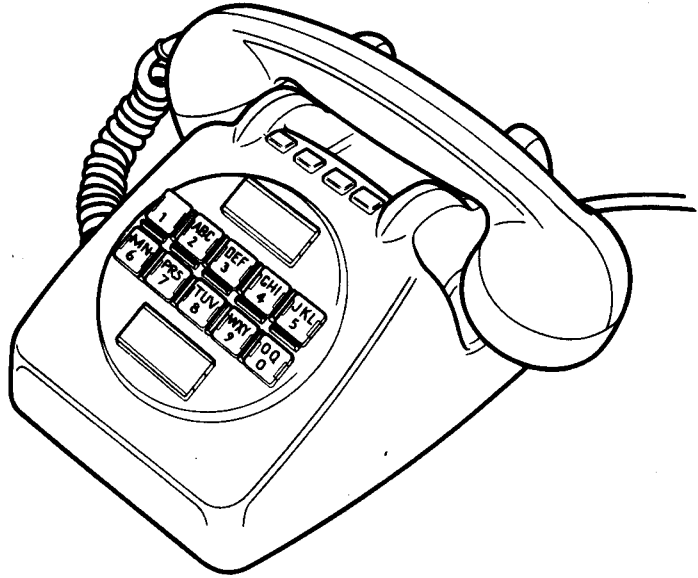


TELEPHONE No.726
700 TYPE TABLE TELEPHONE WITH
PUSH BUTTON D.C. SIGNALLING AND WITH
PROVISION FOR 1 TO 6 PRESS BUTTONS.

N826
PAGE 1-10
ISSUE C



DESCRIPTION

Telephones No...726...are telephones No.710 modified as follows:-

- (A) A push button D.C. signalling unit is fitted in place of the dial.
- (B) The aperture in the telephone case is enlarged to cater for the push button signalling unit.
- (C) A Face Plate is clipped over the aperture in the telephone case.
- (D) Telephone No.4/726L is fitted with an 18 way line cord. Other Telephones No...726... are provided with 4 way line cords, except that earlier models may be fitted with a 3 way line cord.

Details of the various types of Telephones No...726...are as follows:-

Telephone No.726F. Basic Telephone (see Page 3) the push buttons show figures only.

Telephone No.726L. An 'Enquiry Press' button (see Page 4) is fitted to the basic telephone. The push buttons show letters and figures.

Telephone Nos. 1/726F. and 1/726L. As for 726F and 726L but with a bell loudness control (see Note 6, Page 2).

Telephone No.2/726F. As for 726F but with Teledictation Control press buttons (see Page 4).

Telephone No.3/726F. As for 2/726F but with bell loudness control (see Note 6, Page 2).

Telephone No.4/726L. Provided with 6 press buttons for secretarial arrangements. The push buttons show letters figures.

P.O. TELECOMMS. HQRS. PAPER: R CIRCULATION: RESTRICTED	ISSUE		
		C NEW FORMAT. 2 REDRAWN.	2.10.68
		B PANELS 4, 6 & 7. STRAP T14-15 ADDED.	28.4.66
		A PANELS 3 & 5. MINOR AMENDMENTS.	19.7.65
		J.H. COMBRIDGE.	27.4.65
		TDI.4.3.	

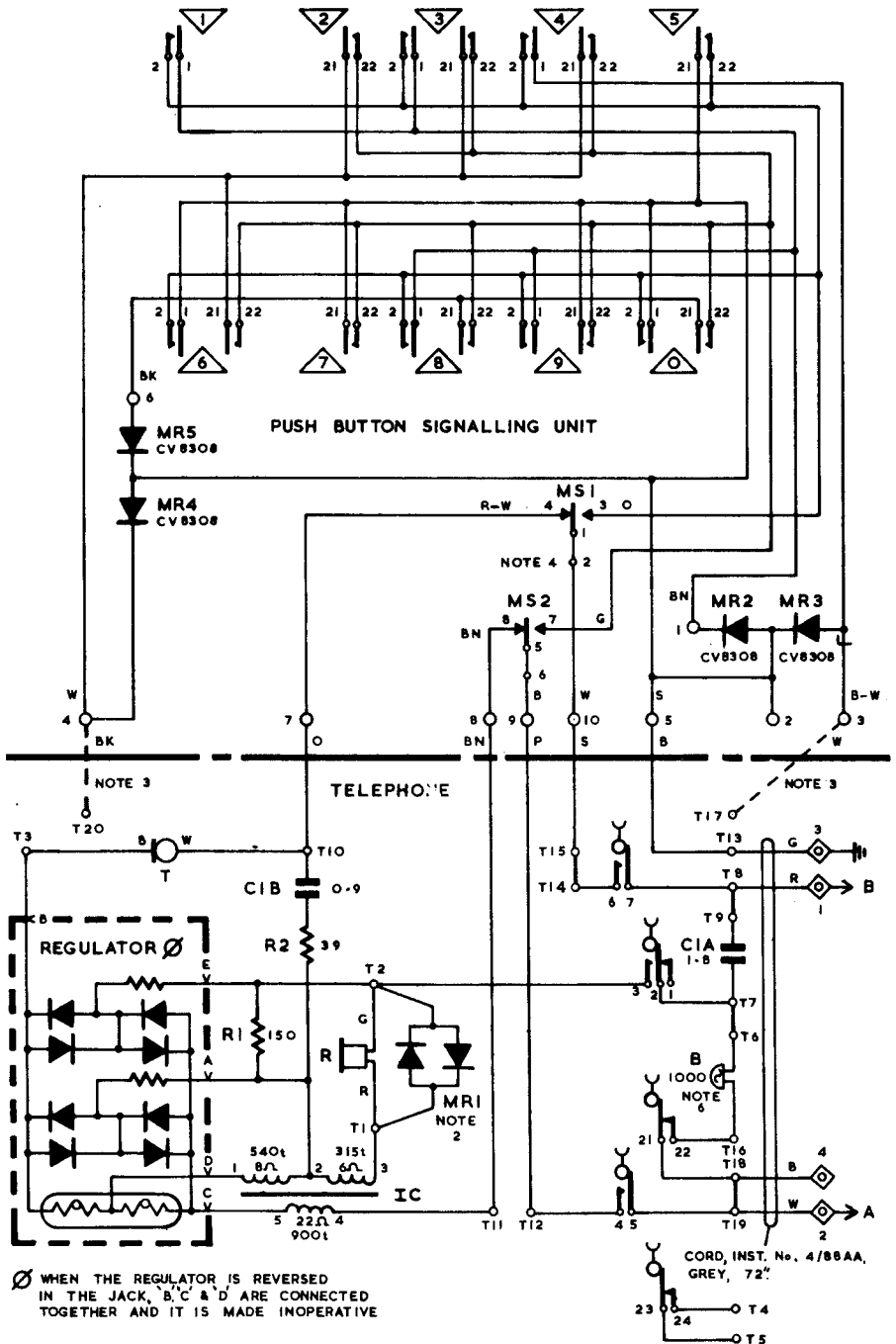
N826

PAGE 2-10

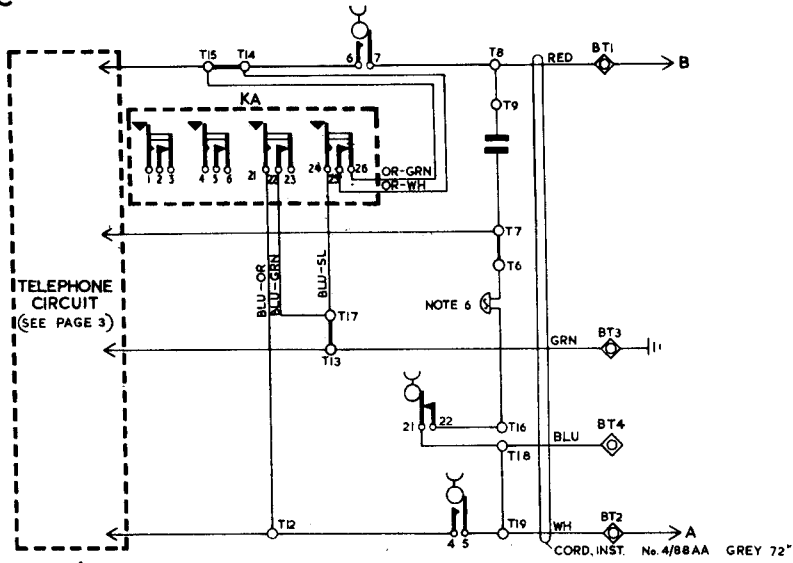
ISSUE C

NOTES

1. Page 3 shows the basic circuit for all telephones No. ...726...
2. MR1 is a Rectifier Element No. 205.
3. The leads shown dotted are provided only on telephones No. 2/726F and 3/726F.
4. MS1 and MS2 operate when any push button is operated.
5. Page 5 shows plan 1A facilities modified to leave the bell at the extension permanently short circuited. If the bell at the extension is required remove the strap T6-T16.
6. Where a bell loudness control is fitted a sliding knob on the left hand side of the telephone base adjusts the loudness of the bell. Max. volume is obtained with the sliding knob towards the front of the telephone.
7. C2 and L1 are required at the MAIN station only. Do not remove unwanted components, isolate capacitor by removing spade terminal from T7 and parking on T16. L1 can be isolated by removing green wire from T5 and parking on T13.
8. The diagram shows a strap between T18-T19 to provide "earth loop" operator recall. When "earth one line" operator recall is required remove strap between T18-T19.
9. Extension bells if required, should be fitted in place of straps BT18-BT19 using cable 2 wire.
10. The Power Unit No. 53A may be connected at either station.

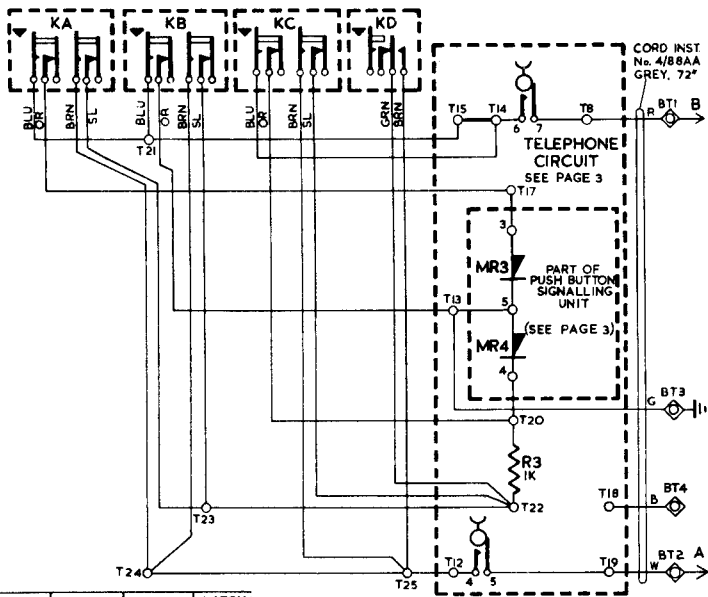


TELEPHONE Nos. 726L & 1/726L



KEY	FUNCTION	PARTS	POSITION	LATCH SETTING
KA	ENQUIRY	1/DSP/1243 36/DBU/250	A	3

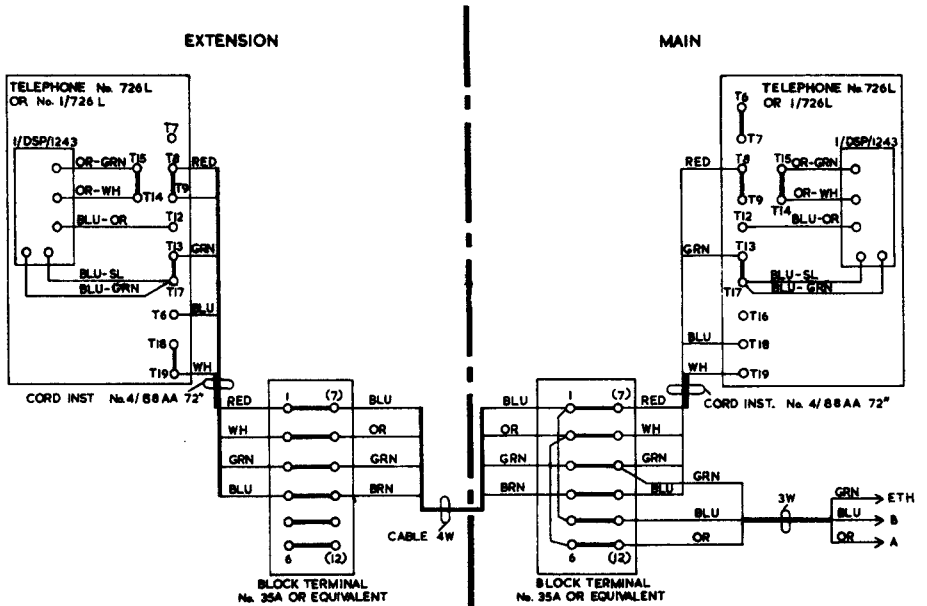
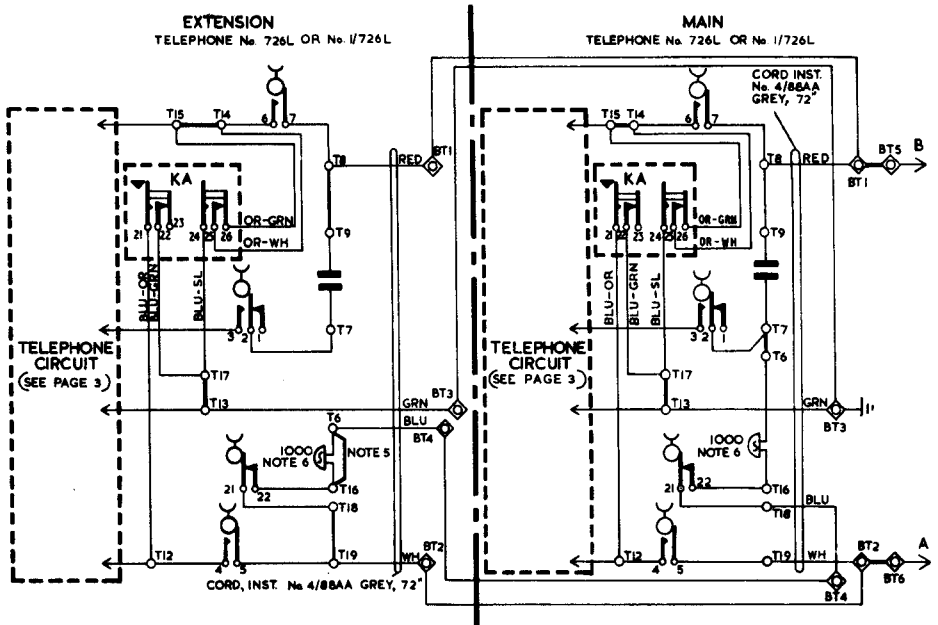
TELEPHONE Nos. 2/726F & 3/726F



KEY	FUNCTION	PARTS	POSITION	LATCH SETTING
KA	LETTER INDEX	1/DSP/1243	A	2
KB	CALL SUPR.	1/DSP/1243	B	2
KC	REPLAY	1/DSP/1243	C	2
KD	START/STOP	1/DSP/1245	D	2

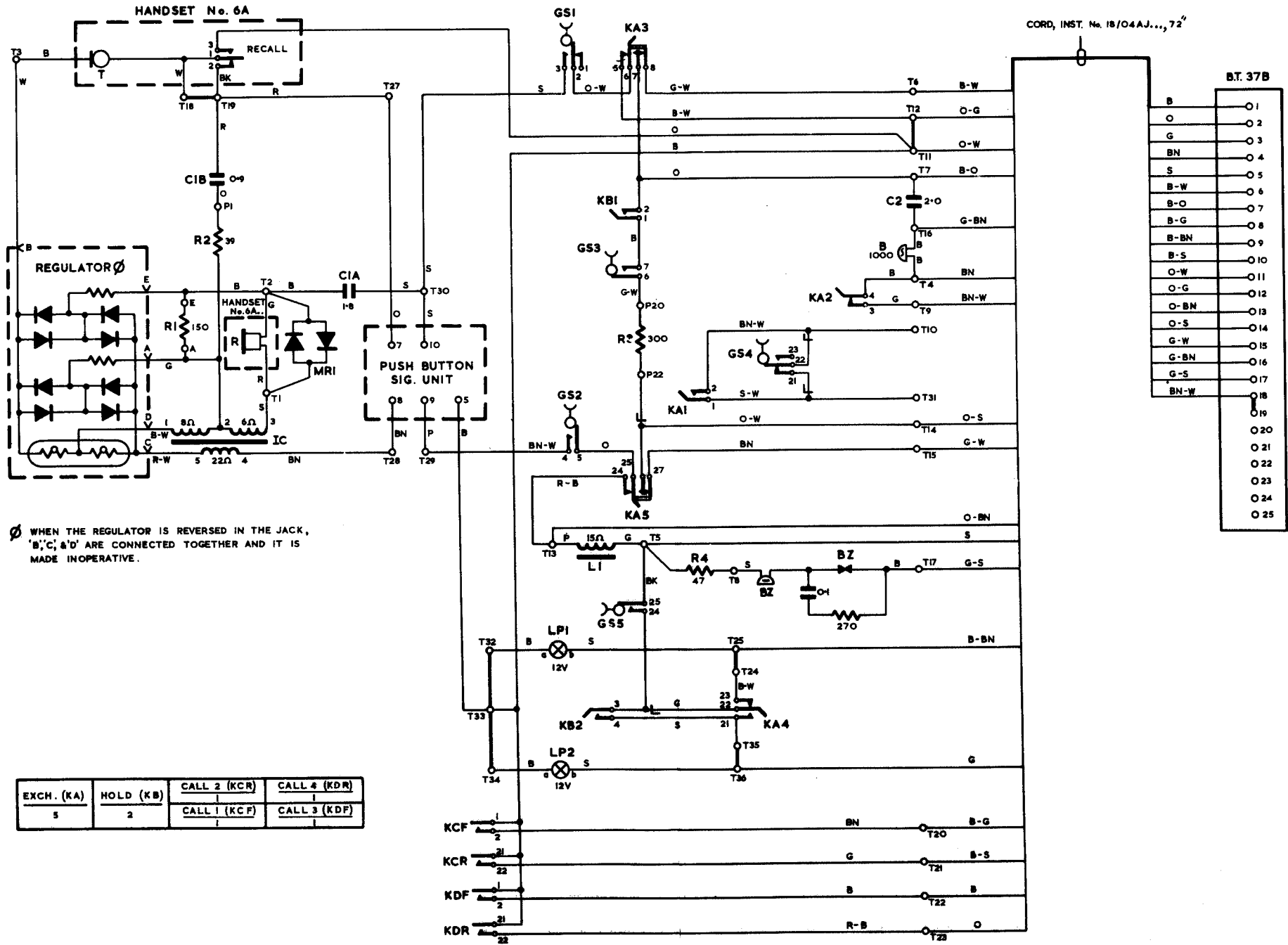
**SUBSCRIBERS EXTENSION PLAN 1A (MODIFIED)
USING TELEPHONES No.726L OR 1/726L.**

**N826
PAGE 5-10
ISSUE C**



N826
PAGE 6-10
ISSUE C

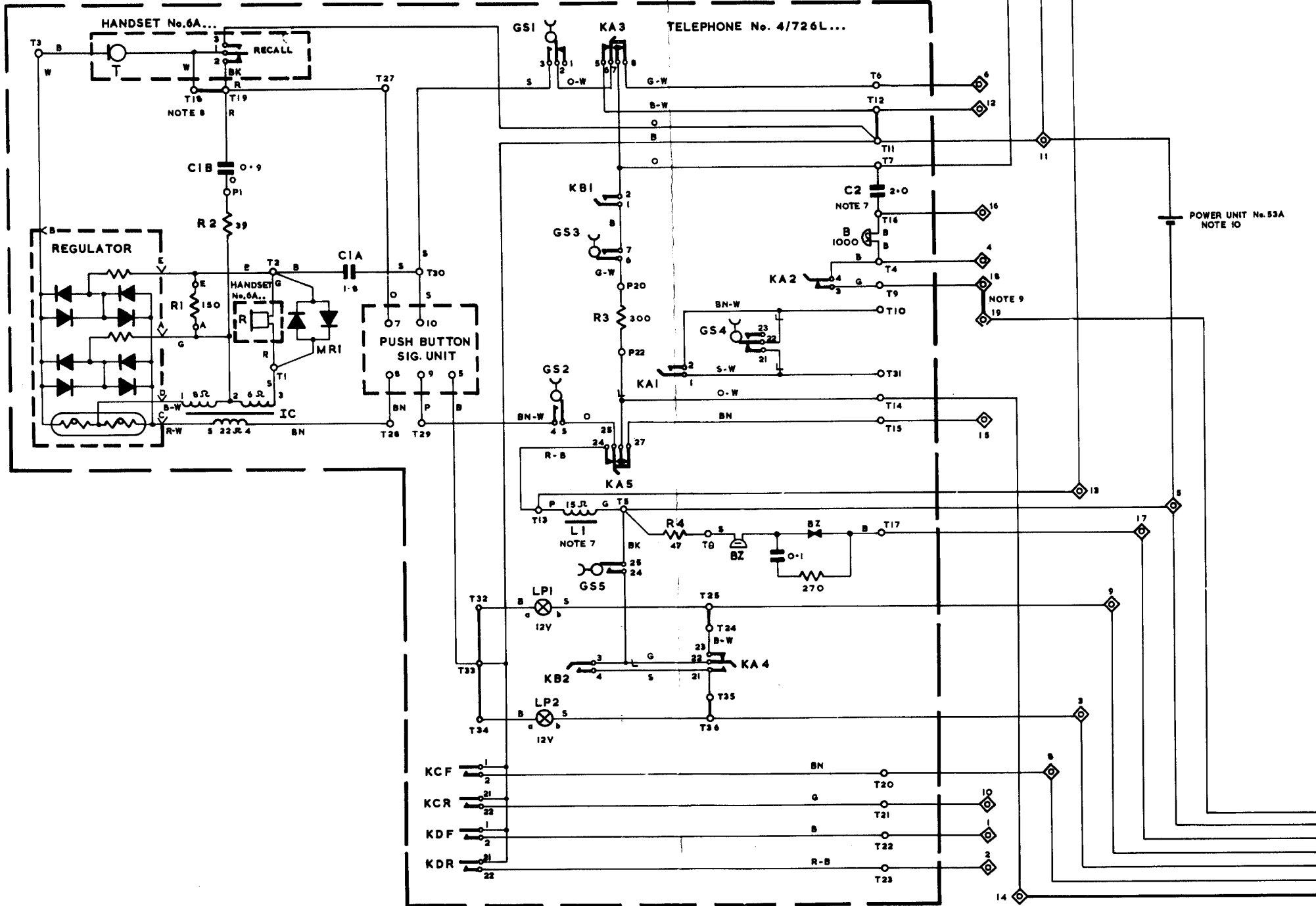
SPARE

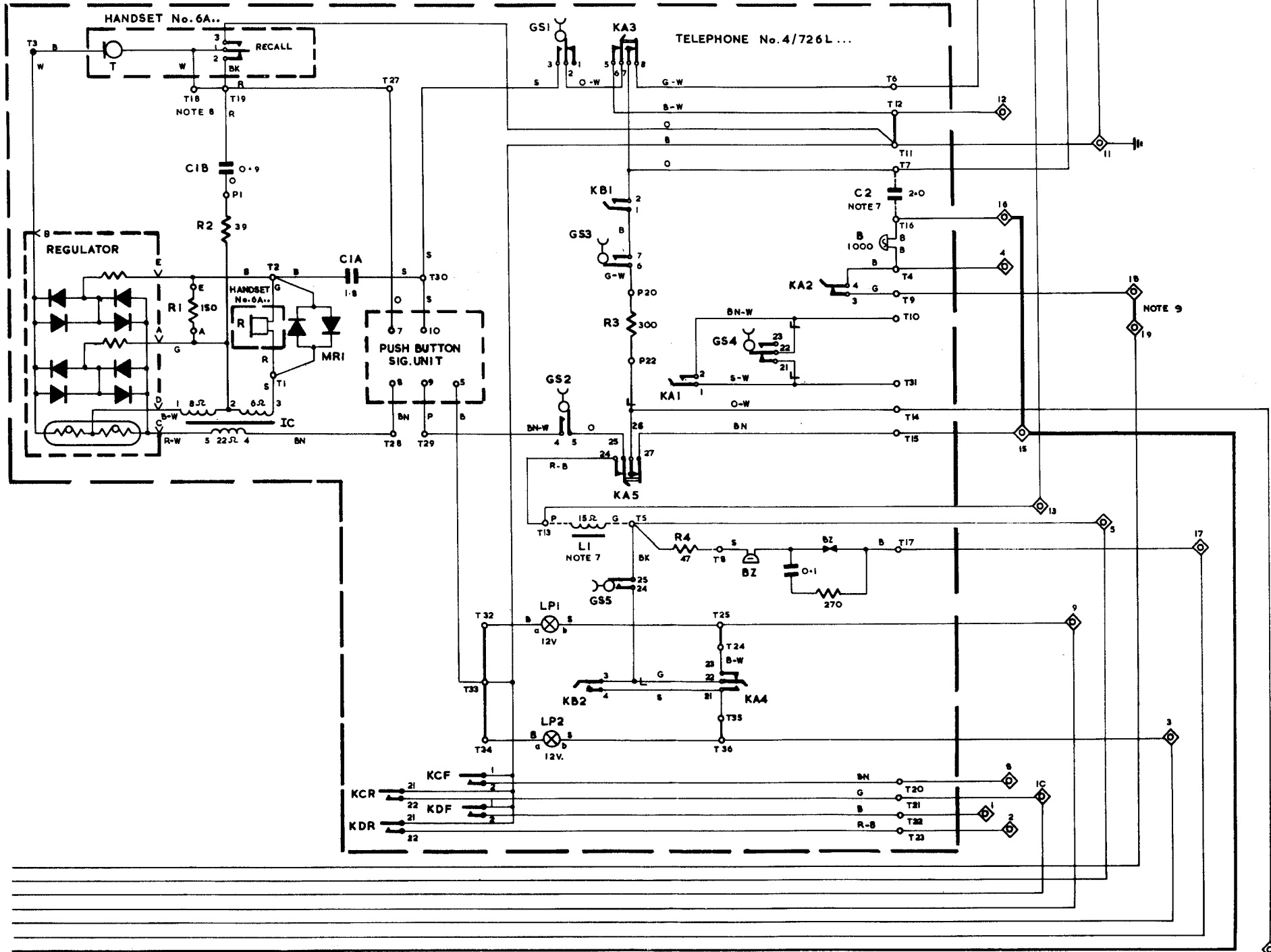


∅ WHEN THE REGULATOR IS REVERSED IN THE JACK, 'B', 'C', & 'D' ARE CONNECTED TOGETHER AND IT IS MADE INOPERATIVE.

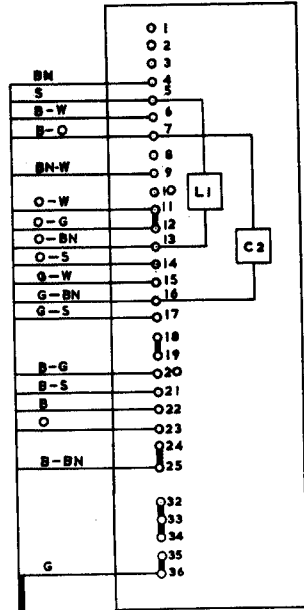
EXCH. (KA)	HOLD (KB)	CALL 2 (KCR)	CALL 4 (KDR)
5	2	CALL 1 (KCF)	CALL 3 (KDF)

MAIN (SECRETARY)



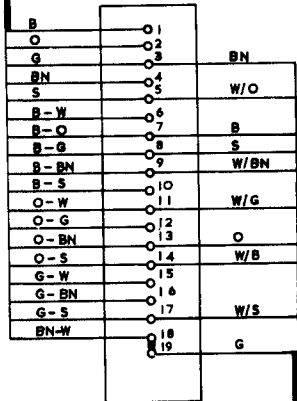


TELEPHONE No. 4/726L
(MAIN)

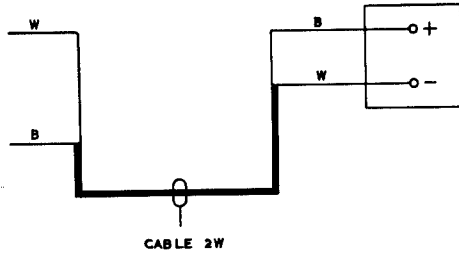


CORD, INST. No. 18/04 AJ...

BLOCK, TERMINAL No. 37B

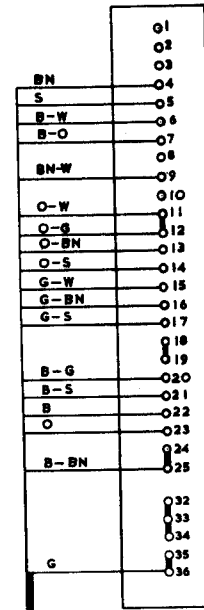


POWER UNIT No. 53A
(NOTE 10)



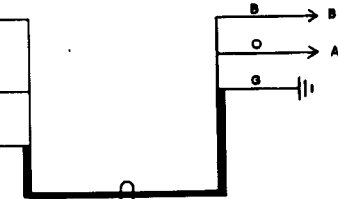
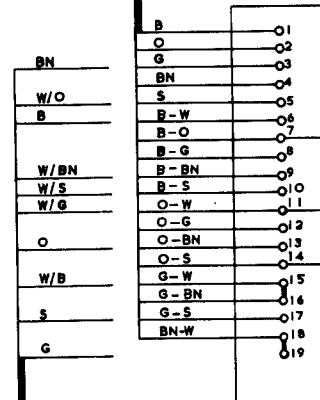
CABLE 12W

TELEPHONE No. 4/726L
(EXTENSION)



CORD, INST. No. 18/04AJ...

BLOCK TERMINAL No. 37B



CABLE 3W.