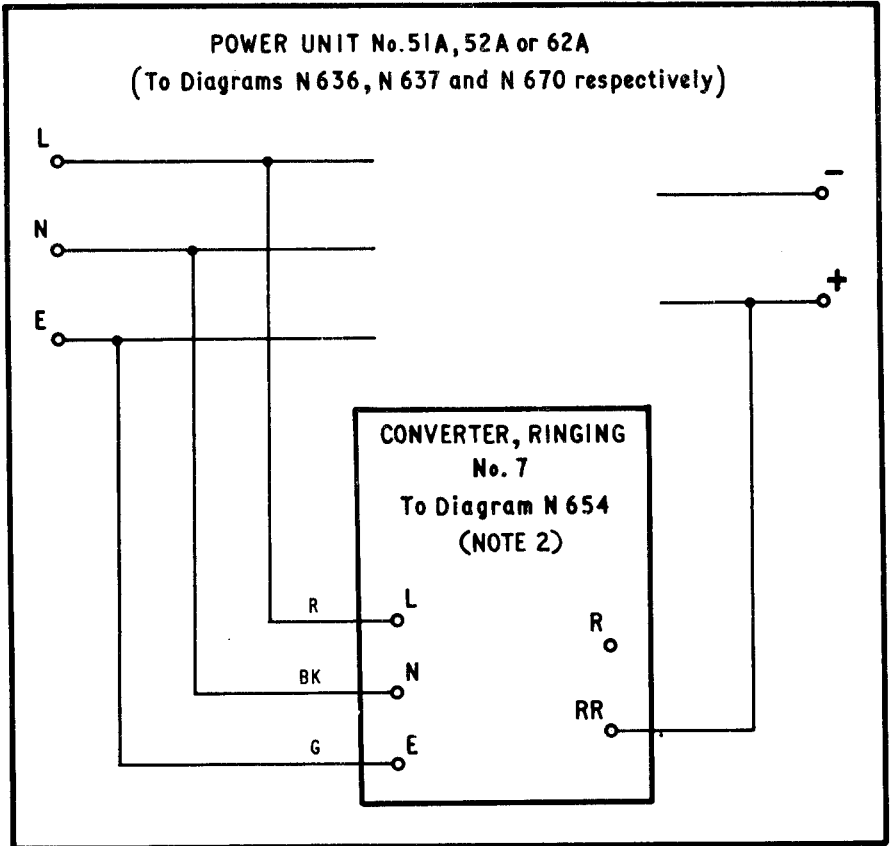


**POWER UNITS**  
**No. 51B, 52B AND 62B**  
 (NOTE 1)



**NOTES:-**

1. Each Power Unit No. ... B consists of a Power Unit No. ... A with a Converter Ringing No.7 already mounted and wired into the unit.
2. The separate cover for the Converter Ringing No.7 should not be removed permanently.

P.O.  
 TELECOMMS.  
 HQRS.

PAPER: W  
 CIRCULATION:  
 GENERAL

ISSUE