

# CONVERTERS, RINGING Nos.4,5,6 AND 7 25 HZ RINGING SUPPLIES FROM AC MAINS

**NOTES:—**

1. TABLE 1. SHOWS FUSE AND CAPACITOR VALUES FOR EACH CONVERTER.

**TABLE 1**

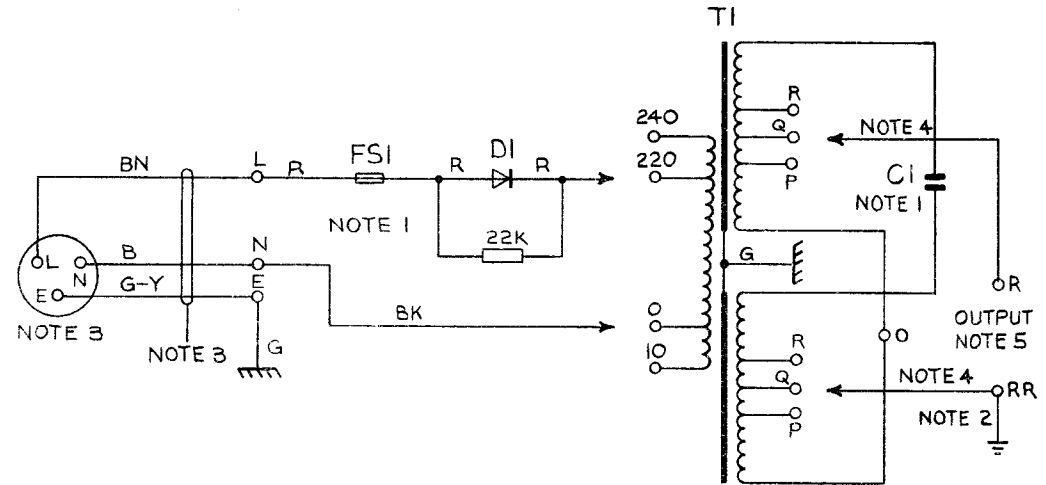
CONVERTER	4	5	6	7
FSI FUSE No.36A/...	0.5	1	2	0.05
CI ( $\mu$ F)	8	16	32	2

2. ONE SIDE OF THE OUTPUT (NORMALLY RR) SHOULD BE CONNECTED TO THE TELEPHONE SIGNALLING EARTH. THE MAINS PROTECTIVE EARTH IN THE CONVERTER IS NOT TO BE UTILISED FOR THE SIGNALLING EARTH. SEE TI C3 Q005.

3. CORD, FLEXIBLE 3183Y .75mm<sup>2</sup>, AND B.S. 3-PIN PLUG, TO SUIT SOCKET, TO BE REQUISITIONED SEPERATELY AND FITTED LOCALLY. FUSED PLUGS SHALL BE FITTED WITH 3-AMP FUSES.  
WHEN A CONVERTER, RINGING No.7 IS FITTED IN A POWER-UNIT, THE PLUG IS TO BE OMITTED, AND THE CABLE TEED INTO THE POWER-UNIT MAINS TERMINAL BLOCK.

4. THESE TAPS (WHEN PROVIDED) ARE SET BY THE MANUFACTURER AND MUST NOT BE DISTURBED.

5. FOR OUTPUT CONNEXIONS SEE TI C3 Q006.



PO TELECOMMS HQRS	130	W	EE	REDRAWN, NEW FORMAT. CONV'S RINGING Nos. 5, 6 & 7 ADDED. (THESE WERE N652, N653 & N654). TRANSFORMER 200V. TAPPING REMOVED. WIRE COLOURS CHANGED. 33 $\mu$ F CAPACITOR WAS 36 $\mu$ F NOTES AMENDED REFERENCES TO T1'S ADDED. DLW	18-1-78
PAPER: - W DISTN: - GENERAL	10	NEW FORMAT.	K.M.A.	TD 7 2.3	2 6.66