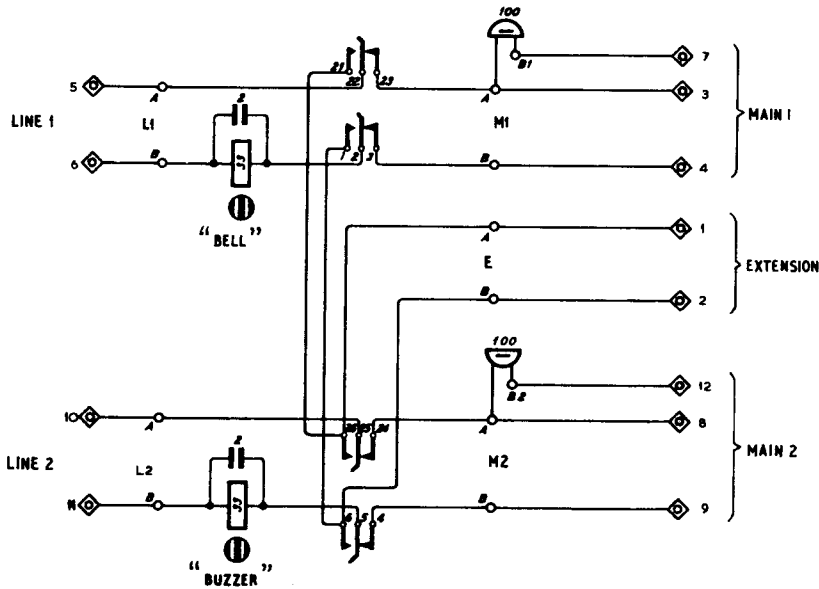
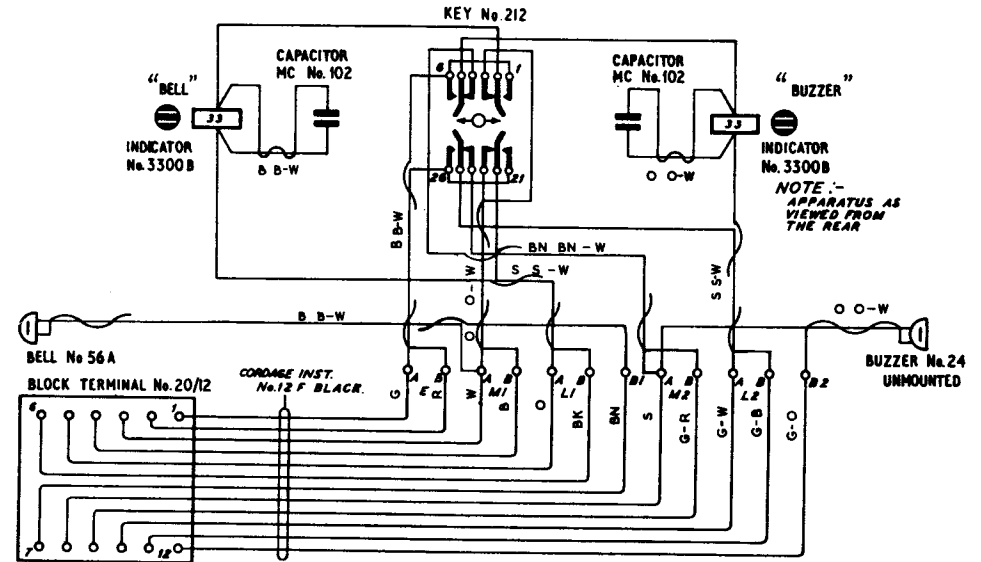


EXPLANATORY



WIRING



Post Office Telecomms. Headquarters	ISSUES			
Paper :- Y	C	Made yellow	TD 7-1-1	27-9-74
DISTN :-	B	NEW FORMAT.	<i>R/W</i>	11-12-68
C.B. & AUTO.	A	CORDAGE INST. No. 12. WAS 12G.		30-3-51
		F S R.		30-4-38