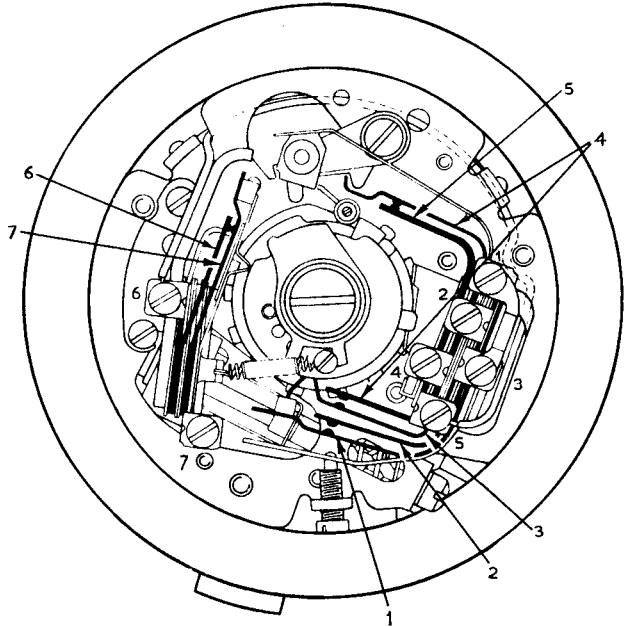
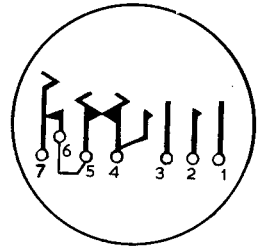


REAR VIEW SHOWING NUMBERING OF CONTACT SPRINGS AND TERMINALS



NOTE:-

Supplied with terminals 5 & 6 strapped.



WIRING SYMBOL

P.O.E.D. S BCH.	ISSUES			
PAPER : W				
CIRCULATION GENERAL		B	New Format	F.R.L. 6-10-67
		A	Strap 1-3 deleted.	10-12-65
			S1/1 F.E.Troke	16-6-64