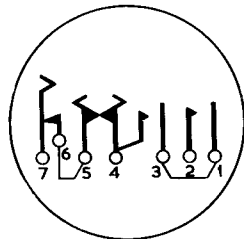
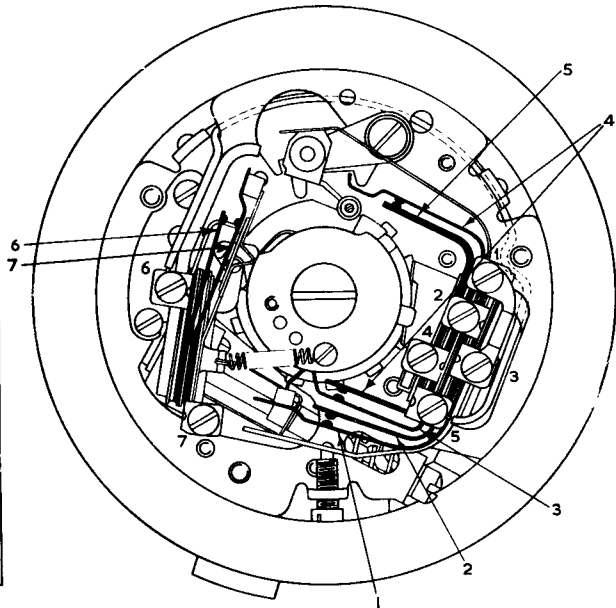


DIAL AUTO No.23...

N 583
12-5-64.

REAR VIEW SHOWING NUMBERING OF CONTACT SPRINGS AND TERMINALS

CIRCULATION	GENERAL
	SUFFIX
AMENDT.	
PAPER	W



WIRING SYMBOL

NOTES:-

1. DIALS AUTO No.23... ARE SUITABLE FOR USE IN PLACE OF DIALS AUTO No.20.
2. SUPPLIED WITH TERMINAL 1&3, 5 &6 STRAPPED